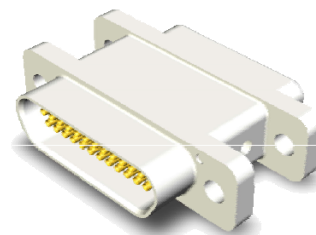


Features/Benefits

- Compliant with ESA/ESCC specifications
- Same Savers Connectors for MDM and MDMA Connectors
- All size available from 9 to 51 ways
- Moisture and humidity seal between contacts and between contacts and shell, provided by compression interfacial seal.



Typical Applications

- Payload and harnesses testings
- To be used when multiple mating/unmating cycles have to be managed

Specification

Compliant to ESA/ESCC specifications 3401/041
 Compatible with MDM Connectors ESCC 3401/029, MDMA Connectors 3401/077 and Accessories 3401/032.
 Pin and Sockets arrangements available.
 Sizes available: 9, 15, 21, 25, 31, 37 and 51 ways.
 Twist pin contact technology.

Quality Level

ESA / ESCC: code 3401

Packaging

- Individual packaging and traceability associated as per ESA/ESCC specifications.
- Each Saver connector is sold in individual plastic bag.

Electrical & Mechanical Characteristics

CHARACTERISTIC	SPECIFICATION
Working Voltage (sea level)	150 Vrms
Rated Current	2.5 A
Contact Resistance	10 mΩ (rated current)
Insulation Resistance	5000 MΩ min
Voltage Proof	600 Vrms / 2.0 mA (leakage current)
Temperature range	-55°C / +125°C

Shell Type	Mating force	Weight Max.
9	20 N max	4.0 g
15	33 N max	5.5 g
21	47 N max	7.0 g
25	55 N max	8.0 g
31	69 N max	9.5 g
37	82 N max	10.0 g
51	113 N max	13.5 g

How To Order Saver

For any part number different from those listed above, please consult your local C&K components representative.

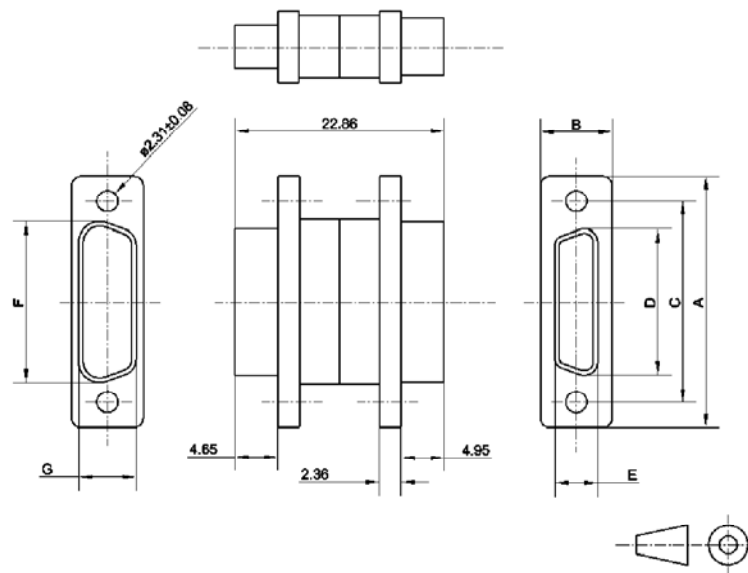
Shell	ESA/ESCC Quality level		FR022 Quality level	
	P/N	Description	P/N	Description
9	C115366-9842C	340104101B 9PS	C115288-8141	MDM-115288-8141-A174-FR022
15	C115366-9843C	340104102B 15PS	C115288-8142	MDM-115288-8142-A174-FR022
21	C115366-9844C	340104103B 21PS	C115288-8143	MDM-115288-8143-A174-FR022
25	C115366-9845C	340104104B 25PS	C115288-8144	MDM-115288-8144-A174-FR022
31	C115366-9846C	340104105B 31PS	C115288-8145	MDM-115288-8145-A174-FR022
37	C115366-9847C	340104106B 37PS	C115288-8146	MDM-115288-8146-A174-FR022
51	C115366-9848C	340104107B 51PS	C115288-8147	MDM-115288-8147-A174-FR022

Note: Supplied only with shell finish A174 (Electroless Nickel).

Materials & Finishes

COMPONENT	MATERIAL	FINISH
Shell	Aluminium alloy	A174 : 25.4 µm electroless Nickel over Copper underlay
Insulator	Liquid Crystal Polymer	UL 94-V0, Glass-filled, Black Color
Female Contacts	Copper Alloy	1.27 µm (50 µin) Gold over Copper underlay
Male Contacts	Copper Alloy	1.27 µm (50 µin) Gold over Copper underlay
Encapsulant	Epoxy	Black color

Savers Dimensions



Shell Size	A (mm) Max	B (mm) Max	C (mm) ± 0.13	D (mm) Max	E (mm) Max	F (mm) Max	G (mm) Max
9	19.94	7.75	14.35	8.46	4.65	10.16	6.38
15	23.75	7.75	18.16	12.27	4.65	13.97	6.38
21	27.56	7.75	21.97	16.08	4.65	17.78	6.38
25	30.10	7.75	24.51	18.62	4.65	20.32	6.38
31	33.91	7.75	28.32	22.43	4.65	24.13	6.38
37	37.72	7.75	32.13	26.24	4.65	27.94	6.38
51	36.45	8.85	30.86	24.97	5.74	26.67	7.47