

HERMETIC CONNECTORS



Positronic®

THE SCIENCE OF CERTAINTY
an Amphenol company

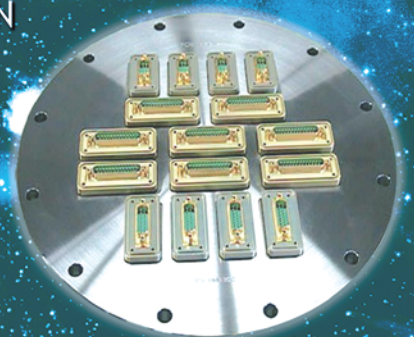
D-SUB FROM SPACE QUALITY PRODUCTS TO INDUSTRIAL APPLICATIONS



- HELIUM LEAK RATE: $< 5 \times 10^{-9}$ mbar.l/s
- STANDARD CONNECTION SYSTEMS
- SHOCKS & VIBRATION RESISTANT
- MIXED CONTACT CONNECTORS
 - Normal Density
 - High Density
 - Thermocouple
 - Power and Coaxial

THE FEEDTHROUGH SOLUTIONS

CUSTOM DESIGN



Catalog F-001
Rev. F

www.connectpositronic.com

Connector Excellence®

Positronic Provides Complete Capability

Mission Statement

"To utilize product flexibility and application assistance to present quality interconnect solutions which represent value to customers worldwide."

Experience

- Founded in **1966**
- **Involvement** in the development of international connector specifications through EIA®, IEC and ISO as well as PICMG®.
- Introduction of new and **unique connector products** to the electronics industry.
- Patent holder for many **unique connector features and manufacturing techniques**.
- **Vertically integrated** manufacturing – raw materials to finished connectors.

Technology

- **Expertise** with solid machined contacts provides a variety of high reliability connectors including high current density power connectors.
- Quality Assurance lab is **capable of testing** to IEC, EIA, UL, CUL, military and customer-specified requirements.
- **In-house design and development** of connectors based on market need or individual customer requirements.
- **Internal manufacturing capabilities** include automatic precision contact machining, injection molding, stamping, plating operations and connector assembly.
- **Manufacturing locations** in southwest Missouri, U.S.A. (headquarters); Puerto Rico, France, China, Singapore, and India. Total square footage: 407,441.

Support

- **Quality Systems:** Select locations qualified to ISO 9001, ISO 14001, AS9100, MIL-STD-790 and customer "dock to stock" programs. Applicable products qualified to MIL-DTL-24308, SAE AS39029, DSCC 85039, MIL-DTL-28748, Space D32, GSFC S-311-P-4 and GSFC S-311-P-10.
- Compliance to a variety of international and customer specific **environmental requirements**.
- Large **in-house inventory** of finished connectors. Customer specific **stocking programs**.
- Factory direct **technical sales support** in major cities worldwide.
- **One-on-one customer support** from worldwide factory locations.
- World class **web site**.
- **Value-added solutions** and willingness to **develop custom products** with reasonable price and delivery.



Regional Headquarters

Springfield, MO



Auch, France



Singapore



Products described within this catalog may be protected by one or more of the following US patents:

#4,900,261 #5,255,580 #5,329,697
#6,260,268 #6,835,079 #7,115,002

Patented in Canada, 1992 Other Patents Pending

Positronic Industries' **FEDERAL SUPPLY CODE** (Cage Code)
FOR MANUFACTURERS is **28198**

Unless otherwise specified, **dimensional tolerances** are:

- 1) ± 0.03 mm [0.001 inches] for male contact mating diameters.
- 2) ± 0.08 mm [0.003 inches] for contact termination diameters.
- 3) ± 0.13 mm [0.005 inches] for all other diameters.
- 4) ± 0.38 mm [0.015 inches] for all other dimensions.

POSITRONIC® IS AN ITAR REGISTERED COMPANY

Information in this catalog is proprietary to Positronic and its subsidiaries. Positronic believes the data contained herein to be reliable. Since the technical information is given free of charge, the user employs such information at his own discretion and risk. Positronic Industries assumes no responsibility for results obtained or damages incurred from use of such information in whole or in part.

Positronic®, Positronic Industries, Inc.®, P+ logo, Positronic Global Connector Solutions®, Connector Excellence® and their logo designs are registered trademarks of Positronic Industries, Inc. Blue colored connectors shown in this catalog are a trademark of Positronic Industries, Inc.®, registered in the U.S. Patent and Trademark Office.

THIS CATALOG SHOULD BE ACCOMPANIED BY COPIES OF POSITRONIC INDUSTRIES CONNECTOR CATALOGS AS PICTURED BELOW.

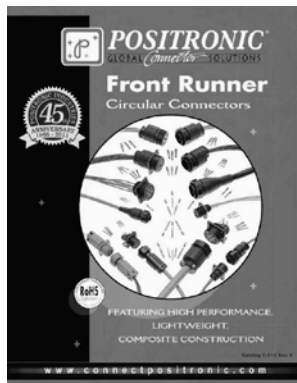
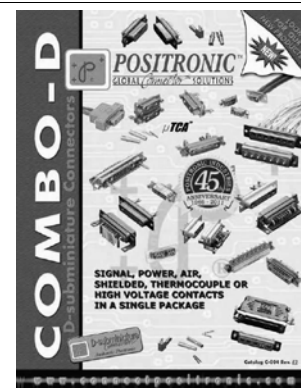


Positronic Industries
www.connectpositronic.com



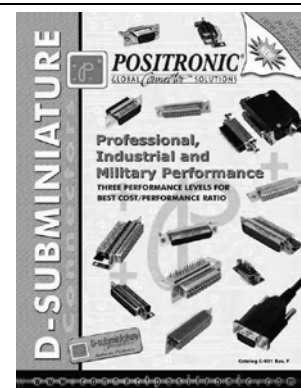
SPACE APPLICATIONS D-SUBMINIATURE CONNECTORS

COMBO-D D-SUBMINIATURE CONNECTORS WITH MIXED CONTACT COMBINATIONS



FRONT RUNNER SERIES CIRCULAR CONNECTORS

CATALOG OF INDUSTRIAL AND MILITARY APPLICATION D-SUBMINIATURE CONNECTORS





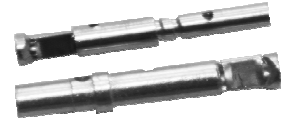
Positronic Industries
www.connectpositronic.com

HERMETIC FEEDTHROUGH FOR SPACE OR INDUSTRIAL VACUUM APPLICATIONS

TABLE OF CONTENTS

Contact PosiBand 1-2

The posiband contact system has many advantages over the legacy split tine design.



Xavac® Series Connectors 3-6

Xavac® series connectors are D-Subminiature feedthroughs for space or industrial vacuum applications.



Savac® Series Connectors 7-10

Savac® series connectors are D-Subminiature feedthroughs for space or industrial vacuum applications.



Thermocouple Connectors 11

The thermocouple connectors are available in D-Subminiature connectors version and also in hermetic version (D-subminiature feedthrough).



HERMETIC FEEDTHROUGH FOR SPACE OR INDUSTRIAL VACUUM APPLICATIONS



Positronic Industries
www.connectpositronic.com

TABLE OF CONTENTS

Hivac® Series Connectors 14-18

Hivac® series connectors are feedthroughs equipped with D-Subminiature adapter connectors for space or industrial vacuum applications.



Custom Design 24-28

Examples of custom design.

Technical Information 29





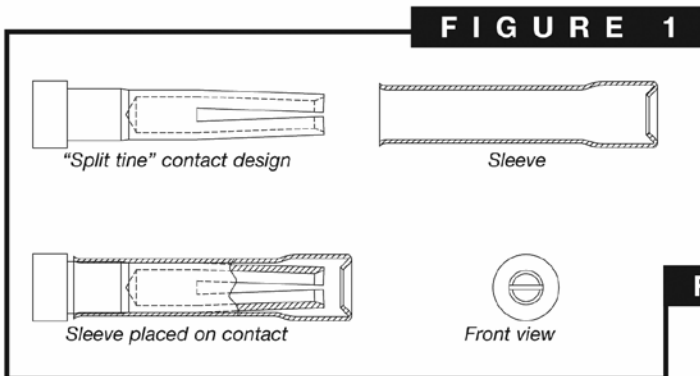
Positronic Industries
www.connectpositronic.com

HERMETIC FEEDTHROUGH FOR SPACE OR INDUSTRIAL VACUUM APPLICATIONS

What Makes Positronic's New "PosiBand®" Contact Interface a Significant Improvement?



High reliability connectors utilize female **closed entry contacts** that provide an unbroken ring of solid material at the face of the contact. The closed entry feature is **crucial in preventing damage** to female contacts used in harsh environments, repeated mating cycles, blind mate applications and applications requiring highest reliability.

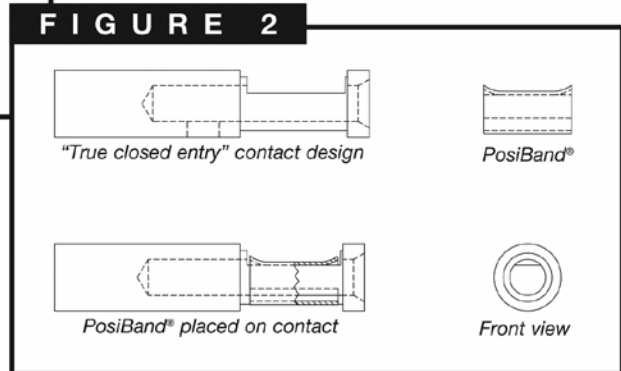


The most common **closed entry design** utilized by connector manufacturers is a split tine and sleeve concept. **See figure 1.** With this design, both the mechanical forces and

electrical interface are provided only at the tip of the female contact.

Positronic's new **PosiBand technology** takes a unique approach for closed entry female contacts.

PosiBand contacts utilize a two-piece contact design. **See figure 2.** Each piece serves a separate function, providing a more mechanically robust contact and more consistent electrical performance.



The main body of the **PosiBand** contact provides a true closed entry opening to enhance robustness. The **PosiBand** spring clip provides normal force on the male contact. Consistent electrical performance is supported through a larger area of contact interface between the male and female contact along the entire "floor" of the contact body. **PosiBand** contacts are QPL listed under **SAE AS39029** and **MIL-DLT-24308** specifications. **PosiBand** is also qualified under **GSFC S-311-P4/08 Rev C** and **GSFC S-311-P4/10 Rev C** to the higher 40 gram contact separation test.

continued on next page . . .

HERMETIC FEEDTHROUGH FOR SPACE OR INDUSTRIAL VACUUM APPLICATIONS



Positronic Industries
www.connectpositronic.com

continued from previous page . . .

The PosiBand® contact system has many advantages over the legacy split tine design.

- X** PosiBand is more robust than split tine contact, which can be pried open in harsh environments, resulting in reduced normal force and degradation of electrical performance.
- X** PosiBand has greater surface area at the male and female contact interface, resulting in more consistent electrical performance.
- X** PosiBand has lower average insertion forces, resulting in greater ease in mating, especially in larger high density connectors. The average lower insertion force is accomplished while meeting or exceeding performance requirements.
- X** The PosiBand's contact body does not require annealing of the crimp barrels, as does the split tine design. This eliminates concern of unintentionally heat-treating the mating end of the contact, which can cause electrical failure.
- X** PosiBand is qualified under **SAE AS39029** and **MIL-DTL-24308** specifications. PosiBand is also qualified under **GSFC S-311-P4/08 Rev C** and **GSFC S-311-P4/10 Rev C** to the higher 40 gram contact separation test requirement.



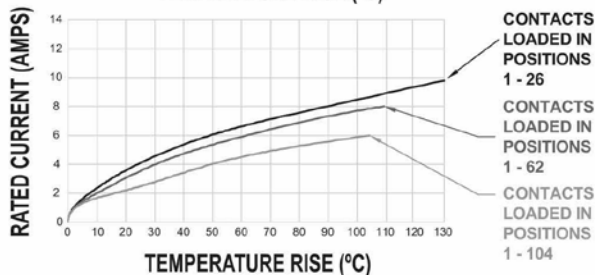
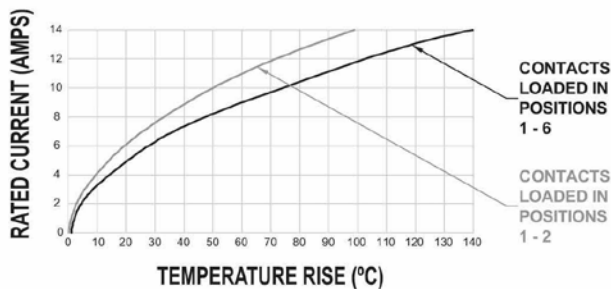
For more details about the **advantages of the PosiBand®** system, please view the detailed white paper at www.connectpositronic.com/content/37/ or visit our web site at www.connectpositronic.com.



TEMPERATURE RISE CURVES Test conducted in accordance with UL1977.

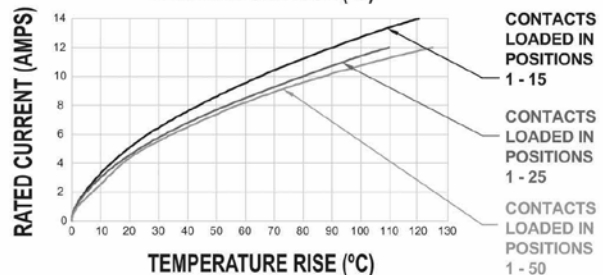
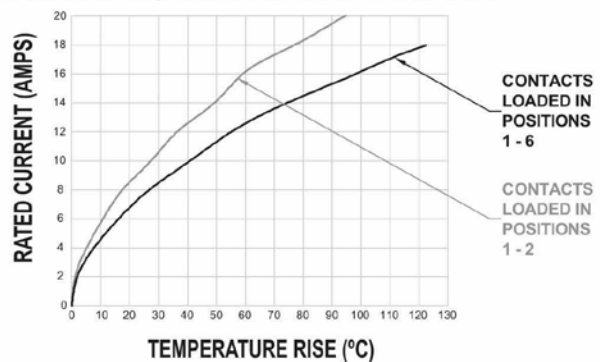
Size 22 PosiBand Contacts

Initial Contact Resistance: 0.005 ohms, maximum.
Curve developed using High Density D-subminiature connectors loaded with size 22 crimp contacts terminated to size 22 AWG wire.



Size 20 PosiBand Contacts

Initial Contact Resistance: 0.004 ohms, maximum.
Curve developed using Standard Density D-subminiature connectors loaded with size 20 crimp contacts terminated to size 20 AWG wire.

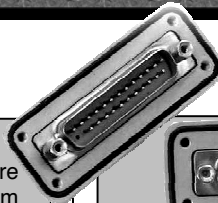




Positronic Industries
www.connectpositronic.com

HERMETIC FEEDTHROUGH FOR SPACE OR INDUSTRIAL VACUUM APPLICATIONS

XAVAC®



XAVAC® Series Connectors are D-Subminiature feedthroughs for SPACE or INDUSTRIAL vacuum applications.

Both sides contain four threaded mounting holes, an o-ring groove and fixed female jackscrews. These redundant features allow either side of the connector to be mounted toward the vacuum, giving the customer the ultimate in flexibility.

The type of contacts is according to the customer request: with normal density insulators 9, 15, 25, 37, and 50 contacts (AWG20): Male/Female, Male/Male, or Female/Female. With high density insulators: 15, 26, 44, 62, 78 and 104 contacts (AWG22): Male/Female. With mixed contact combinations (Power, Coaxial, and Signal contacts): Male/Female.

All XAVAC® Series connectors are 100 % leak tested after fabrication.

In addition to the standard options, Positronic can supply XAVAC® connectors as board mount varieties or with flying leads.

XAVAC® series connectors utilize precision machined contacts for strength and durability. The materials and finishes, as well as the technical characteristics of the XAVAC® series connectors conform to MIL-DTL-24308, Goddard and the SPACE-D32 specifications.

MATERIALS AND FINISHES

Insulator:	Glass-filled DAP per ASTM-D-5948 or polyester glass-filled per ASTM D 5927, UL94V0, ASTM E-595, NASA-RP-1124.
Contacts:	Precision machined copper alloy.
Posiband Spring Clip:	BeCu (Copper alloy).
Contact Plating:	0,000050 inch (1,25 microns) gold over copper plate.
Shells:	Brass with 0,000050 inch (1,25 microns) gold over copper plate or stainless steel.
Housing:	Aluminium alloy, golden brown conversion coating.
O-ring:	Viton (fluorocarbon). Other material per request. One mounting and one for spare part.

MECHANICAL CHARACTERISTICS

Fixed Contacts:	Size 8 Contact: 0,142 inch (3,61mm) mating diameter. Female contact: Features large surface area (L.S.A.) closed entry design utilizing BeCu mechanical retention member.
	Size 20 Contact: 0,040 inch (1,02mm) mating diameter. Female Posiband Contact: Closed entry design.
	Size 22 Contact: 0,030 inch (0,76mm) mating diameter. Female Posiband Contact: Closed entry design.
Contact Retention In Insert:	9 lbs. (40 N).
Shells:	Male shells may be dimpled for EMI/ESD ground paths. Trapezoidally shaped shells.
Polarization:	
Mechanical Operations:	500 operations, minimum, per IEC 60512-5.

CLIMATIC CHARACTERISTICS

Temperature Range:	-40 to +85°C. The temperature range can be expended under certain conditions. Consult factory.
Helium Leak Rate At Ambient Temperature:	< 5x10 ⁻⁹ mbar.l/s under a vacuum of 1.5x10 ⁻² mbar.
Outgassing Non-Metallic Material:	Total Mass Loss – TML < 1 %. Collected Volatile Condensable Materials – CVCM < 0,1 %.

ELECTRICAL CHARACTERISTICS AT SEA LEVEL

SIGNAL CONTACTS

Contact Current Rating:	14 A nominal, size 20. 10 A nominal, size 22.
Initial Contact Resistance:	0,005 ohms maximum.
Proof Voltage:	1000 V r.m.s.

POWER CONTACTS

Contact Current Rating:	10, 15, 20, 30 and 40 amperes nominal.
Initial Contact Resistance:	0.0005 ohms maximum.
Proof Voltage:	1000 V r.m.s.

SHIELDED CONTACTS

Initial Contact Resistance:	0.008 ohms maximum.
Nominal Impedance:	50 ohms.
Insertion Loss:	-0.46 dB at 1 GHz -1.5 dB at 2 GHz.
VSWR:	1.15 average at 1 GHz. 1.56 average at 2 GHz.

Above values measured using frequency domain techniques.

HIGH VOLTAGE CONTACTS

Flash over Voltage:	3600 V r.m.s.
Proof Voltage:	2700 V r.m.s.
Initial Contact Resistance:	0.008 ohms maximum.

CONNECTOR

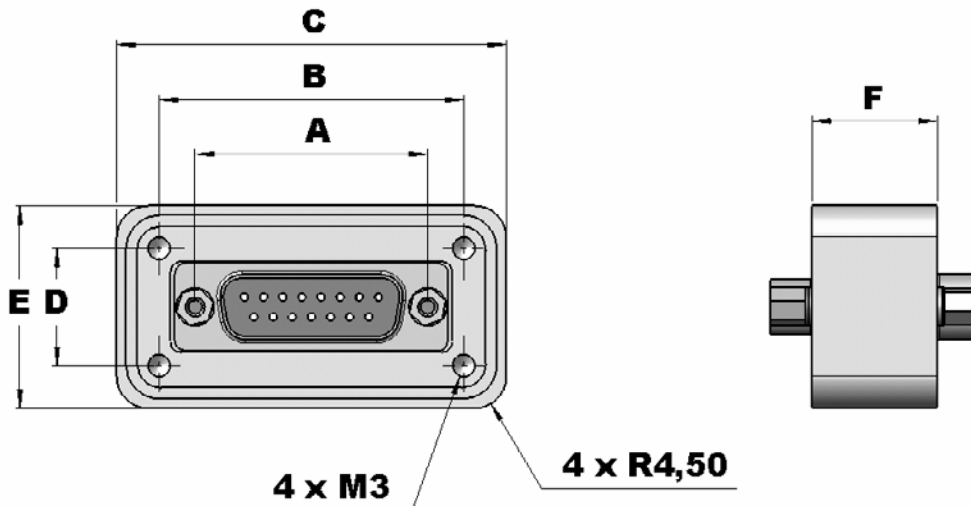
Insulator Resistance:	5 G ohms.
Clearance and Creepage Distance:	0.039 inch (1.0mm) minimum.
Working Voltage:	300 V r.m.s.
Residual Magnetism For Space Flight Versions :	Consult factory.

HERMETIC FEEDTHROUGH FOR SPACE OR INDUSTRIAL VACUUM APPLICATIONS



Positronic Industries
www.connectpositronic.com

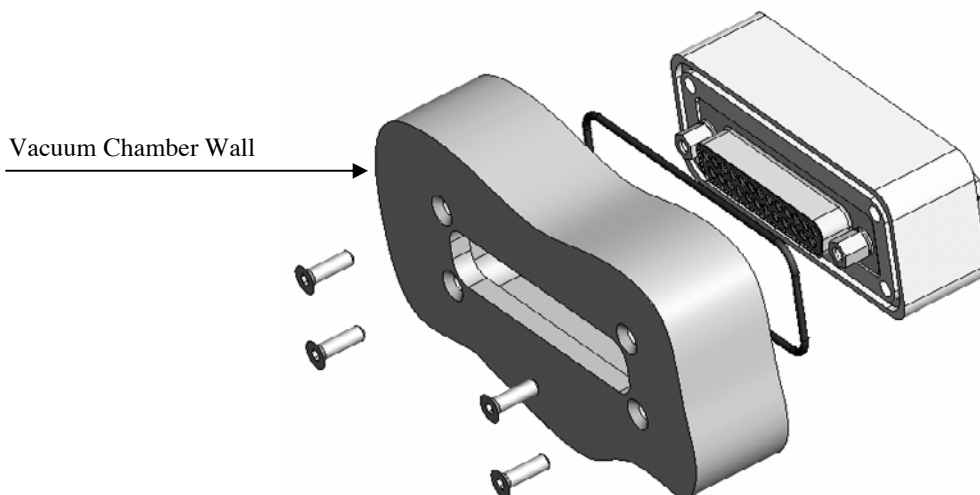
XAVAC® DIMENSIONS



	A	B	C	D	E	F	
						Type 0-1-5*	Type 2-3-4*
SHELL SIZE 1	24,99	34,29	46,37	16,00	28,08	18	24
SHELL SIZE 2	33,32	43,64	55,79	16,76	28,92	18	24
SHELL SIZE 3	47,04	56,36	67,42	16,02	27,08	18	24
SHELL SIZE 4	63,50	73,46	85,38	16,90	28,82	18	24
SHELL SIZE 5	61,11	71,28	82,99	19,68	31,40	18	24
SHELL SIZE 6	63,50	73,26	84,38	20,88	32,00	18	24

* See ordering information: STEP 5 – Type of contacts

XAVAC® MOUNTING



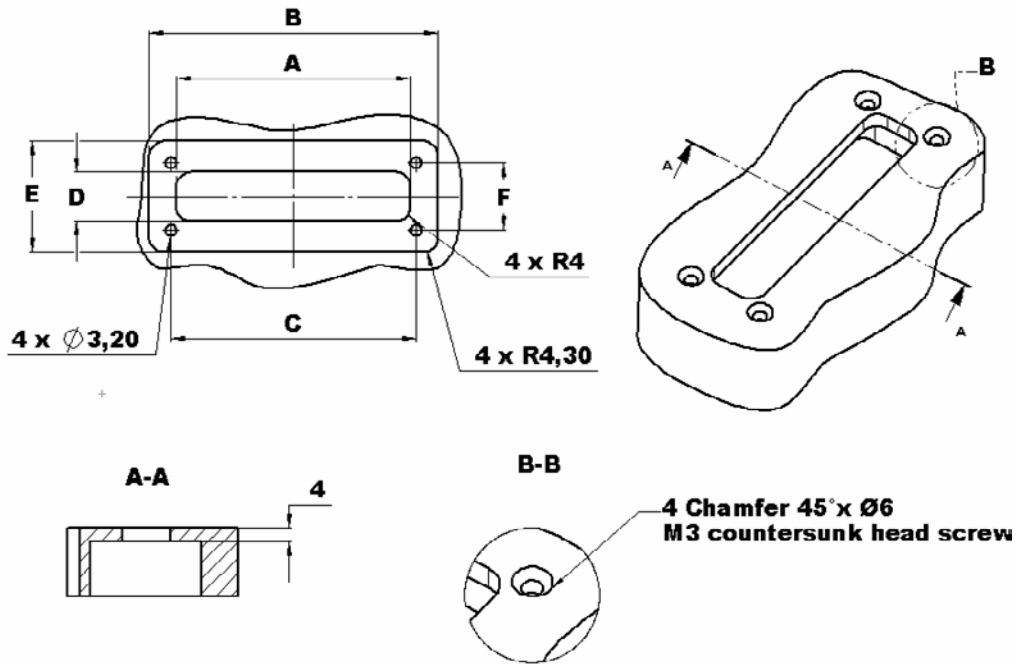
All dimensions are in mm.
All dimensions are subject to change.



HERMETIC FEEDTHROUGH FOR SPACE OR INDUSTRIAL VACUUM APPLICATIONS

XAVAC® PANEL CUTOUT INFORMATION

The depths are identical for all XAVAC® sizes



	A	B	C	D	E	F
SHELL SIZE1	32,00	47,40	34,29	12,50	29,10	16,00
SHELL SIZE2	40,30	56,80	43,64	12,50	29,90	16,76
SHELL SIZE3	54,00	68,40	56,36	12,50	28,10	16,02
SHELL SIZE4	70,50	86,40	73,46	12,50	29,80	16,90
SHELL SIZE5	68,10	84,00	71,28	15,25	32,40	19,68
SHELL SIZE6	70,50	85,40	73,26	16,80	33,00	20,88

*All dimensions are in mm.
All dimensions are subject to change.*

HERMETIC FEEDTHROUGH FOR SPACE OR INDUSTRIAL VACUUM APPLICATIONS



Positronic Industries
www.connectpositronic.com

ORDERING INFORMATION – CODE NUMBERING SYSTEMS

STEP	1	2	3	4	5	6	
EXAMPLE	XAVAC	15	M/S	G	.0	S****	
STEP 1 – BASIC SERIES XAVAC series		STEP 2 – CONNECTOR VARIANTS Normal density 9-15-25-37-50 High density 15-26-44-62-78-104 Mixed combinations (Consult Combo-D catalog) 2WK2 up to 46W4		STEP 3 – CONNECTOR GENDER M/S : Male/Female Posiband M/M : Male/Male Marking inverted on the two insulators front side Not available for high density / mixed combinations S/S : Female Posiband/Female Posiband Marking inverted on the two insulators front side Not available for high density / mixed combinations		STEP 4 – TYPE OF APPLICATIONS G : Gold for Space version D : Gold and Dimpled for Space version S : Stainless-steel for Space version Residual magnetism, consult factory I : Stainless-steel for Industrial version	
				STEP 5 – TYPE OF CONTACTS 0 : Normal density 1 : High density 2 : Power and/or mixed combinations 3 : Coax and/or mixed combinations 4 : High voltage 5* : Thermocouple contact (only normal density)		STEP 6 – SPECIAL OPTIONS Consult Sales Department	

5*: Thermocouple contact

	Material	Position of thermocouple contacts: - The first cavity is always loaded. - Even cavities for negative contacts (-) - Odd cavities for positive contacts (+)
5 K	Chromel ® (+) Alumel ® (-)	
5 T	Copper (+) with gold flash Constantan (-)	
5 J**	Iron (+) Constantan (-)	
5E**	Chromel ® (+) Constantan (-)	

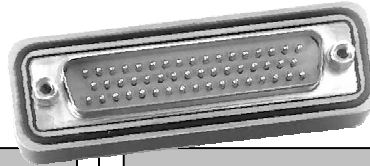
** Consult sales department



Positronic Industries
www.connectpositronic.com

HERMETIC FEEDTHROUGH FOR SPACE OR INDUSTRIAL VACUUM APPLICATIONS

SAVAC®



SAVAC® Series Connectors are D-Subminiature feedthroughs for SPACE or INDUSTRIAL vacuum applications.

Both sides contain two threaded mounting holes (female jackscrews) and a o-ring groove. These redundant features allow either side of the connector to be mounted toward the vacuum, giving the customer the ultimate in flexibility.

The type of contacts is according to the customer request: with normal density insulators 9, 15, 25, 37, and 50 contacts (AWG20): Male/Female, Male/Male, or Female/Female. With high density insulators: 15, 26, 44, 62, 78 and 104 contacts (AWG22): Male/Female. With mixed contact combinations (Power, Coaxial, and Signal contacts): Male/Female.

All SAVAC® Series connectors are 100 % leak tested after fabrication.

In addition to the standard options, Positronic can supply SAVAC® connectors as board mount varieties or with flying leads.

SAVAC® series connectors utilize precision machined contacts for strength and durability. The materials and finishes, as well as the technical characteristics of the SAVAC® series connectors conform to MIL-DTL-24308, Goddard, and the SPACE-D32 specifications.

MATERIALS AND FINISHES

Insulator:	Glass-filled DAP per ASTM-D-5948 or polyester glass-filled per ASTM D 5927, UL94V0, ASTM E-595, NASA-RP-1124.
Contacts:	Precision machined copper alloy.
Posiband Spring Clip:	BeCu (Copper alloy).
Contact Plating:	0,000050 inch (1,25 microns) gold over copper plate.
Shells:	Brass with 0,000050 inch (1,25 microns) gold over copper plate or stainless steel.
Housing:	Aluminium alloy, golden brown conversion coating.
O-ring:	Viton (fluorocarbon). Other material per request. One mounting and one for spare part.

MECHANICAL CHARACTERISTICS

Fixed Contacts:	Size 8 Contact: 0,142 inch (3,61mm) mating diameter. Female contact: Features large surface area (L.S.A.) closed entry design utilizing BeCu mechanical retention member.
	Size 20 Contact: 0,040 inch (1,02mm) mating diameter. Female Posiband Contact: Closed entry design.
	Size 22 Contact: 0,030 inch (0,76mm) mating diameter. Female Posiband Contact: Closed entry design.
Contact Retention In Insert:	9 lbs. (40 N).
Shells:	Male shells may be dimpled for EMI/ESD ground paths.
Polarization:	Trapezoidally shaped shells.
Mechanical Operations:	500 operations, minimum, per IEC 60512-5.

CLIMATIC CHARACTERISTICS

Temperature Range:	40 to +85°C. The temperature range can be expended under certain conditions. Consult factory.
Helium Leak Rate At Ambient Temperature:	< 5x10 ⁻⁹ mbar.l/s under a vacuum of 1.5x10 ⁻² mbar.
Outgassing Non-Metallic Material:	Total Mass Loss – TML < 1 %. Collected Volatile Condensable Materials – CVCM < 0,1 %.

ELECTRICAL CHARACTERISTICS AT SEA LEVEL

SIGNAL CONTACTS

Contact Current Rating:	14 A nominal, size 20. 10 A nominal, size 22.
Initial Contact Resistance:	0,005 ohms maximum.
Proof Voltage:	1000 V r.m.s.

POWER CONTACTS

Contact Current Rating:	10, 15, 20, 30 and 40 amperes nominal.
Initial Contact Resistance:	0.0005 ohms maximum.
Proof Voltage:	1000 V r.m.s.

SHIELDED CONTACTS

Initial Contact Resistance:	0.008 ohms maximum.
Nominal Impedance:	50 ohms.
Insertion Loss:	-0.46 dB at 1 GHz -1.5 dB at 2 GHz.
VSWR:	1.15 average at 1 GHz. 1.56 average at 2 GHz.

Above values measured using frequency domain techniques.

HIGH VOLTAGE CONTACTS

Flash Over Voltage:	3600 V r.m.s.
Proof Voltage:	2700 V r.m.s.
Initial Contact Resistance:	0.008 ohms maximum.

CONNECTOR

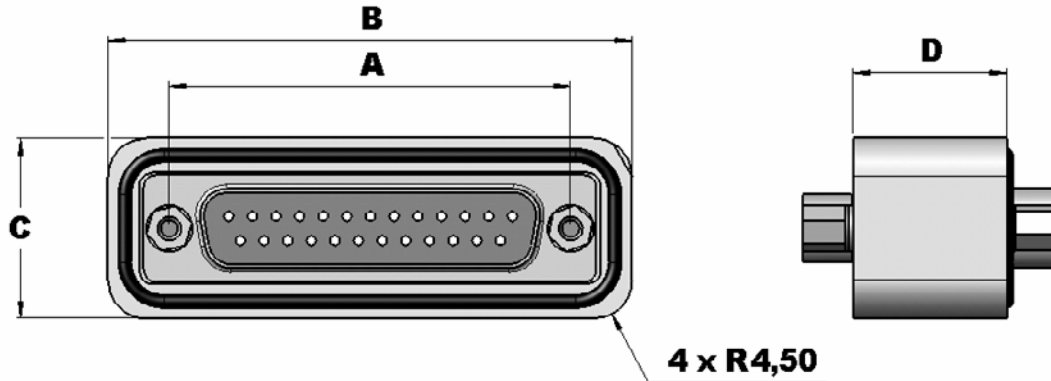
Insulator Resistance:	5 G ohms.
Clearance And Creepage Distance:	0.039 inch (1.0mm) minimum.
Working Voltage:	300 V r.m.s.
Residual Magnetism For Space Flight Versions :	Consult factory.

HERMETIC FEEDTHROUGH FOR SPACE OR INDUSTRIAL VACUUM APPLICATIONS



Positronic Industries
www.connectpositronic.com

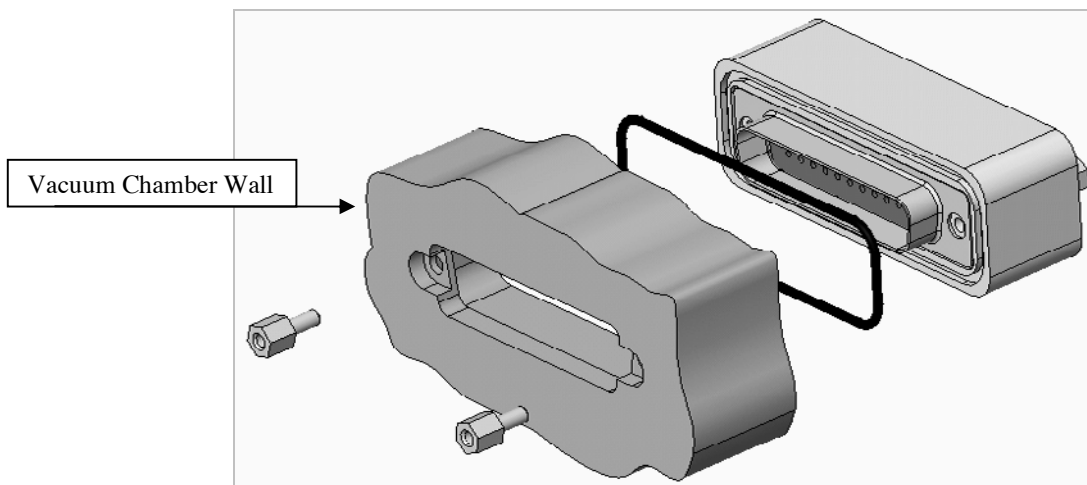
SAVAC® DIMENSIONS



	A	B	C	D	
				Type 0-1-5*	Type 2-3-4*
SHELL SIZE 1	24.99	39.37	21.08	18	24
SHELL SIZE 2	33.32	47.7	21.08	18	24
SHELL SIZE 3	47.04	61.42	21.08	18	24
SHELL SIZE 4	63.5	77.88	21.08	18	24
SHELL SIZE 5	61.11	75.49	23.9	18	24
SHELL SIZE 6	63.5	77.88	25.5	18	24

*See ordering information: STEP 5 – Type of contacts

SAVAC® MOUNTING

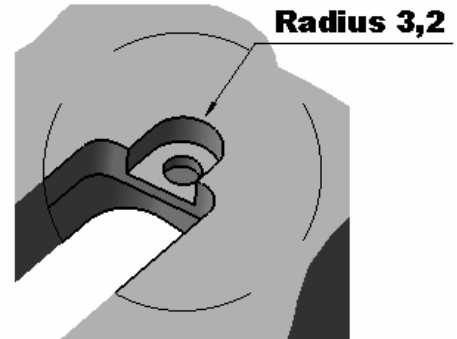
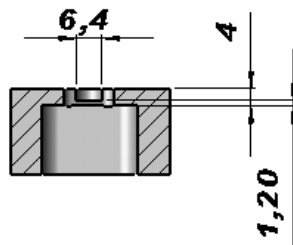
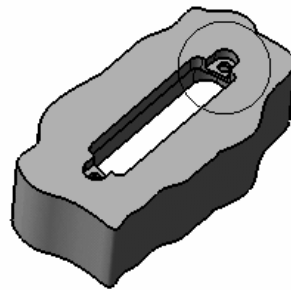
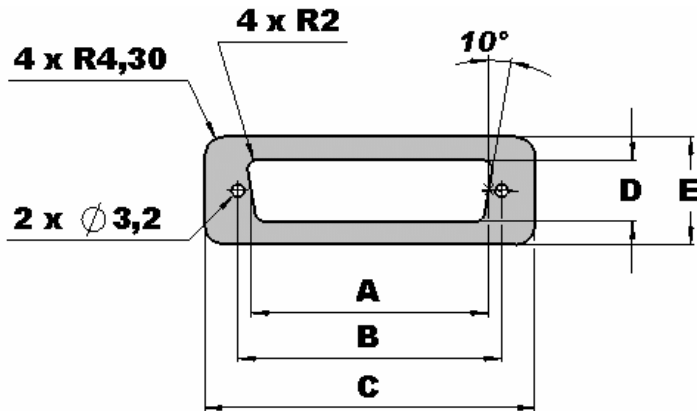


All dimensions are in mm.
All dimensions are subject to change.



SAVAC® PANEL CUTOUT INFORMATION

The depths are identical for all SAVAC sizes



	A	B	C	D	E
SHELL SIZE 1	19.70	24.99	40.40	11.70	22.10
SHELL SIZE 2	28.10	33.32	48.70	11.70	22.10
SHELL SIZE 3	41.90	47.04	62.50	11.70	22.10
SHELL SIZE 4	58.40	63.50	78.90	11.70	22.10
SHELL SIZE 5	55.20	61.11	76.50	14.70	24.90
SHELL SIZE 6	58.40	63.50	78.90	16.00	26.50

All dimensions are in mm.
All dimensions are subject to change.

HERMETIC FEEDTHROUGH FOR SPACE OR INDUSTRIAL VACUUM APPLICATIONS



Positronic Industries
www.connectpositronic.com

ORDERING INFORMATION – CODE NUMBERING SYSTEMS

STEP	1	2	3	4	5	6
EXAMPLE	SAVAC	15	M/S	G	.0	S****
STEP 1 – BASIC SERIES SAVAC series						STEP 6 – SPECIAL OPTIONS Consult Sales Department
STEP 2 – CONNECTOR VARIANTS Normal density 9-15-25-37-50 High density 15-26-44-62-78-104 Mixed combinations (Consult Combo-D catalog) 2WK2 up to 46W4						STEP 5 – TYPE OF CONTACTS 0 : Normal density 1 : High density 2 : Power and/or mixed combinations 3 : Coax and/or mixed combinations 4 : High voltage 5* : <i>Thermocouple contact (only normal density)</i>
STEP 3 – CONNECTOR GENDER M/S : Male/Female Posiband M/M : Male/Male Marking inverted on the two insulators front side Not available for high density / mixed combinations S/S : Female Posiband/Female Posiband Marking inverted on the two insulators front side Not available for high density / mixed combinations						STEP 4 – TYPE OF APPLICATIONS G : Gold for Space version D : Gold and Dimpled for Space version S : Stainless-steel for Space version Residual magnetism, consult factory I : Stainless-steel for Industrial version

5* : *Thermocouple contact*

	Material	
5 K	Chromel ® (+) Alumel ® (-)	Position of thermocouple contacts: - The first cavity is always loaded. - Even cavities for negative contacts (-) - Odd cavities for positive contacts (+)
5 T	Copper (+) with gold flash Constantan (-)	
5 J**	Iron (+) Constantan (-)	
5E**	Chromel ® (+) Constantan (-)	

** Consult sales department



THERMOCOUPLE CONNECTORS



D-subminiature connectors with thermocouple crimp contacts.



D-subminiature feed through equipped with thermocouple contacts and the counterparts with thermocouple crimp contacts.

The thermocouple connectors are available in D-subminiature connectors version and also in hermetic version (D-subminiature feed-through).

D-subminiature Connector

See Positronic D-subminiature connectors catalog (Standard and Space Versions).

Thermocouple crimp contacts:

- Dimensional conformity to SAE AS39029.
- Precision machined contacts.
- Size 20 contacts.
- Thermocouple alloy.

Female and male crimp contacts Part-Number				
	Material	Male	Female	Color code
Type K	Chromel® (+)	MC6020DCH	FC6020D2CH	White
	Alumel® (-)	MC6020DAL	FC6020D2AL	Green
Type T	Copper (+) with gold flash	MC6020DCU	FC6020D2CU	Red
	Constantan (-)	MC6020DCO	FC6020D2CO	Yellow
Type J*	Iron (+)	MC6020DIR	FC6020D2IR	Black
	Constantan (-)	MC6020DCO	FC6020D2CO	Yellow
Type E*	Chromel® (+)	MC6020DCH	FC6020D2CH	White
	Constantan (-)	MC6020DCO	FC6020D2CO	Yellow

* Consult sales department

D-subminiature feed-through:

- Conform to MIL-DTL-24308
- Size 20 contacts
- Type of contacts : Male/Female
- Type of contacts : Type K "Chromel® (+) / Alumel® (-)
- Type of contacts : Type T "Copper (+) with gold flash / Constantan (-)
- Type of contacts : Type J "Iron (+) / Constantan (-)
- Type of contacts : Type E "Chromel® (+) / Constantan (-)

* Consult sales department

Position of thermocouple contacts:

- The first cavity is always loaded.
- Even cavities for negative contacts (-)
- Odd cavities for positive contacts (+)

HERMETIC FEEDTHROUGH FOR SPACE OR INDUSTRIAL VACUUM APPLICATIONS



Positronic Industries
www.connectpositronic.com

HIVAC®



HIVAC® Series Connectors are feedthroughs equipped with D-Subminiature Adapter Connectors for SPACE or INDUSTRIAL vacuum applications.

The HIVAC® Connector configuration requires three separate units to function properly. The center unit is the feedthrough. This feedthrough requires two adapter units, one for the atmospheric side and one for the vacuum side.

Both sides of the feedthrough contain four threaded mounting holes and an o-ring groove. These redundant features allow either side of the connector to be mounted toward the vacuum, giving the customer the ultimate in flexibility.

The feedthrough has always Female/Female contacts.

The contact type of Adapter Connector is always as male next to the feedthrough and the other sides are according to the Customer request, Male/Male or Male/Female for the normal density, and for the high density it is systematically Male/Female.

A feedthrough has 5 types of insulators: 37 or 50 contacts for normal D and 44, 62 and 104 contacts for high D.

An Adapter Connector allows several combinations with a feedthrough.

The advantage of this system is that it allows the user the flexibility to purchase a single feedthrough and use it with a variety of adapters.

HIVAC® series connectors utilize precision machined contacts for strength and durability. The materials and finishes, as well as the technical characteristics of the HIVAC® series connectors, conform to MIL-DTL-24308, Goddard and SPACE-D32 specifications.

All HIVAC® Series connectors are 100 % leak tested after fabrication.

MATERIALS AND FINISHES

Insulator:	Glass-filled DAP per ASTM-D-5948 or polyester glass-filled per ASTM D 5927, UL94V0, ASTM E-595, NASA-RP-1124.
Contacts:	Precision machined copper alloy.
Posiband Spring Clip:	BeCu (Copper alloy).
Contact Plating:	0,000050 inch (1,25 microns) gold over copper plate.
Shells:	Brass with 0,000050 inch (1,25 microns) gold over copper plate or stainless steel.
Housing:	Aluminium alloy, golden brown conversion coating.
O-ring:	Viton (fluorocarbon). Other material per request. One mounting and one for spare part.

ELECTRICAL CHARACTERISTICS AT SEA LEVEL

Contact Current Rating:	7,5A nominal, size 20 5A nominal, size 22
Initial Contact Resistance:	0.005 ohms maximum.
Proof Voltage:	1000 V r.m.s.
Insulator Resistance:	5 G ohms.
Clearance And Creepage Distance:	0.039 inch (1,0 mm) minimum.
Working Voltage:	300 V r.m.s.
Residual Magnetism for Space Flight Versions :	Consult factory.

MECHANICAL CHARACTERISTICS

Fixed Contacts:	Size 20 Contact: 0,040 inch (1,02mm) mating diameter. Female Posiband contact: Closed entry design
	Size 22 Contact: 0,030 inch (0,76mm) mating diameter. Female Posiband Contact: Closed entry design.
Contact Adapter:	Male to female.
Contact Retention In Insert:	9 lbs. (40 N).
Shells:	Male shells may be dimpled for EMI/ESD ground paths.
Polarization:	Trapezoidally shaped shells.
Mechanical Operations:	500 operations, minimum, per IEC 60512-5.

CLIMATIC CHARACTERISTICS

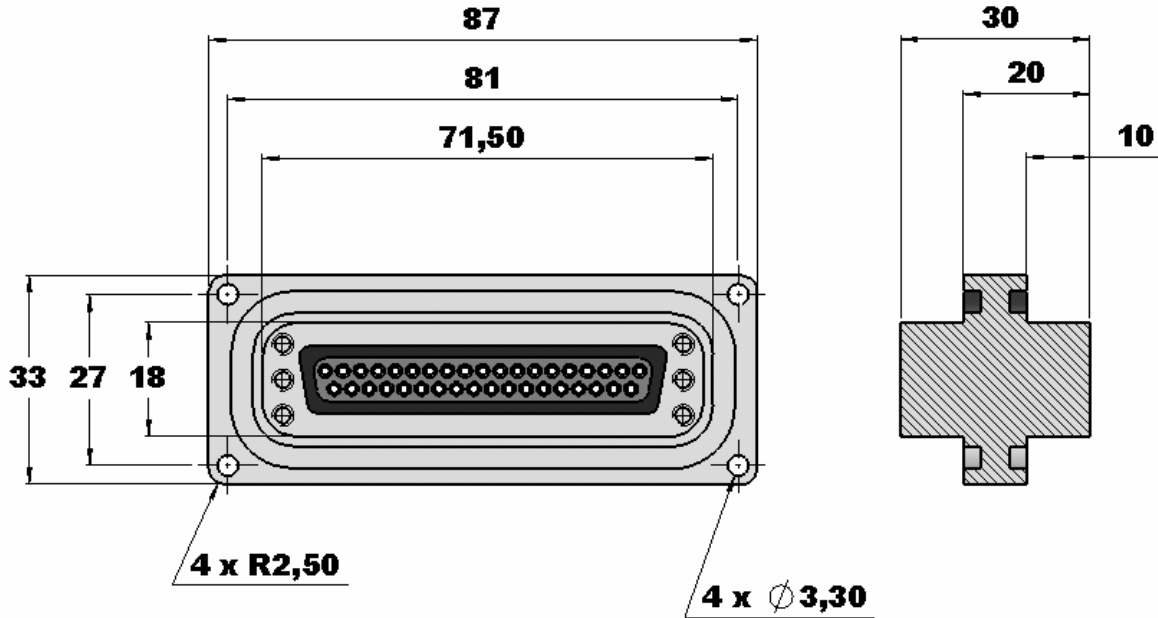
Temperature Range:	-40 to +85°C. The temperature range can be expended under certain conditions. Consult factory.
Helium Leak Rate At Ambient temperature:	< 5x10 ⁻⁹ mbar.l/s under a vacuum of 1.5x10 ⁻² mbar.
Outgassing Non-Metallic Material:	Total Mass Loss – TML < 1 %. Collected Volatile Condensable Materials – CVCM < 0,1 %.



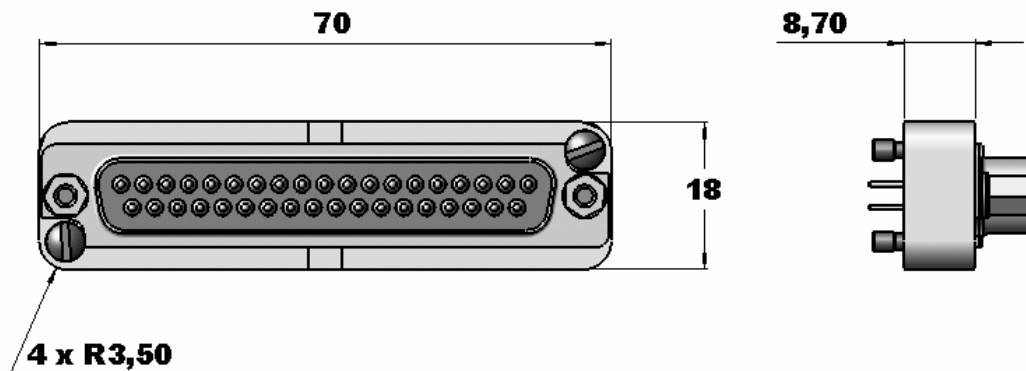
Positronic Industries
www.connectpositronic.com

HERMETIC FEEDTHROUGH FOR SPACE OR INDUSTRIAL VACUUM APPLICATIONS

HIVAC® FEEDTHROUGH DIMENSIONS



HIVAC® ADAPTER DIMENSIONS



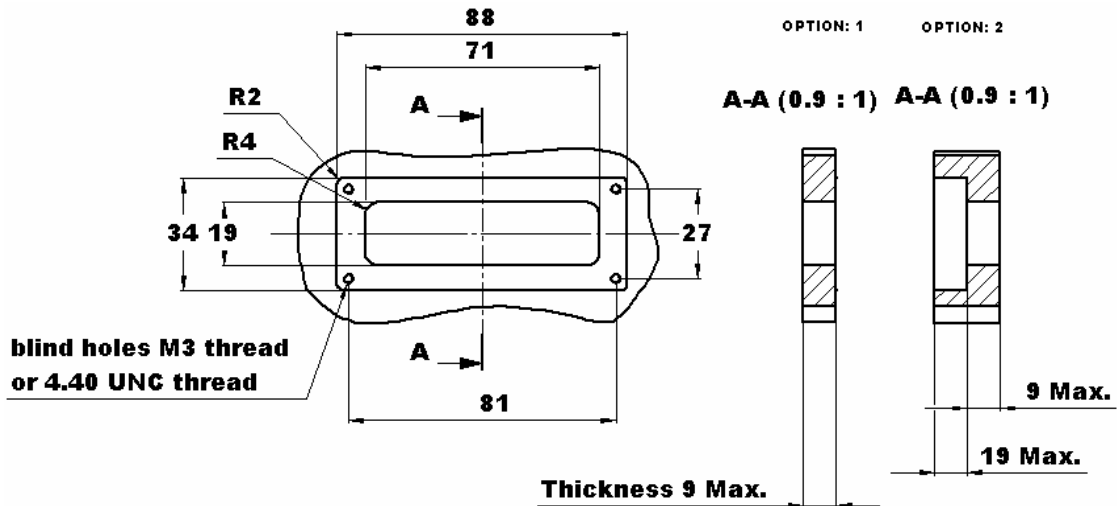
*All dimensions are in mm.
All dimensions are subject to change.*

HERMETIC FEEDTHROUGH FOR SPACE OR INDUSTRIAL VACUUM APPLICATIONS

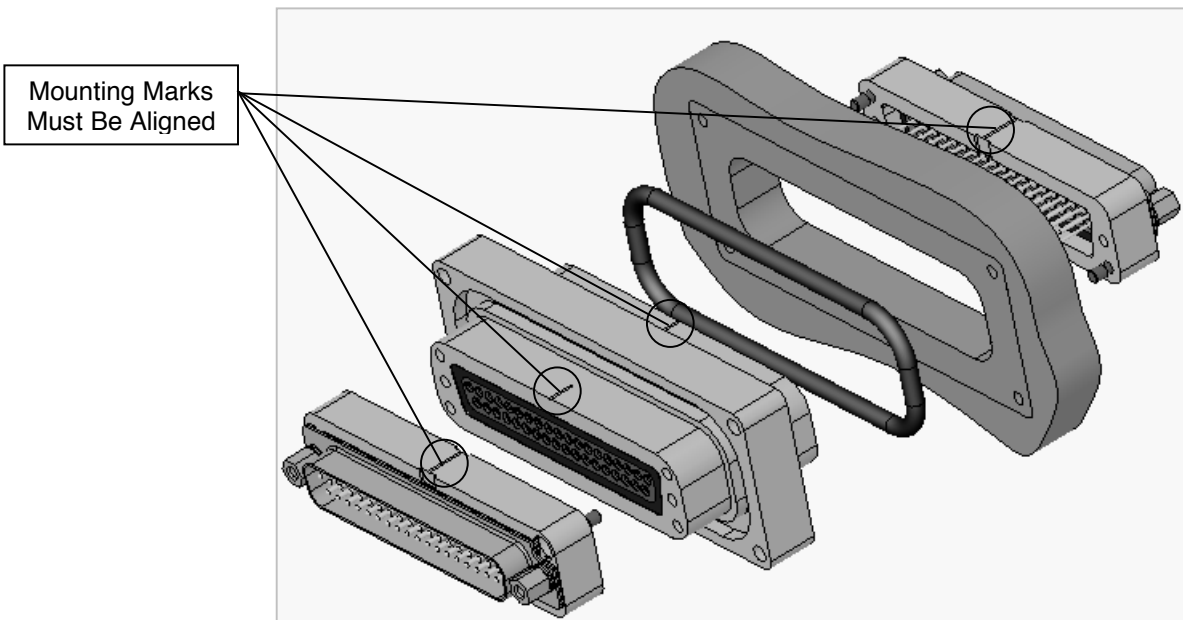


Positronic Industries
www.connectpositronic.com

HIVAC® FEEDTHROUGH PANEL CUTOUT INFORMATION



HIVAC® FEEDTHROUGH AND HIVAC ADAPTER MOUNTING



All dimensions are in mm.
All dimensions are subject to change.



HERMETIC FEEDTHROUGH FOR SPACE OR INDUSTRIAL VACUUM APPLICATIONS

ORDERING INFORMATION – CODE NUMBERING SYSTEMS

FEEDTHROUGH PART-NUMBERS

STEP	1	2	3	4
EXAMPLE	HIVAC	37	.0	S****
STEP 1 – BASIC SERIES HIVAC FEEDTHROUGH			STEP 4 – SPECIAL OPTIONS Consult Sales Department	
STEP 2 – CONNECTOR VARIANTS Normal density 37-50 High density 44-62-104			STEP 3 – TYPE OF CONTACTS LAYOUTS 0 : Normal density 1 : High density	

ADAPTER PART-NUMBERS

STEP	1	2	3	4	5	6
EXAMPLE	HIVAC	37	.25	M	G	S****
STEP 1 – BASIC SERIES HIVAC ADAPTER			STEP 6 – SPECIAL OPTIONS Consult Sales Department			
STEP 2 – HIVAC FEED-THROUGH Normal density 37-50 High density 44-62-104			STEP 5 – TYPE OF APPLICATIONS G : Gold for Space version D : Gold and Dimpled for Space Version S : Stainless-steel for Space version Residual magnetism, consult factory			
STEP 3 – HIVAC ADAPTER CONTACT VARIANTS Normal density with 37 variant 9-2X9-15-25-37 Normal density with 50 variant 9-2X9-15-25-50 High density with 44 variant 15-26-44 High density with 62 variant 62 High density with 104 variant 78-104			STEP 4 – ADAPTER GENDER M : Male contact S : Female Posiband MM-SS: Use only with 37.2X9 and 50.2X9 Hivac Adapter MS : Use only with 37.2X9 Hivac Adapter For normal density : 2 Male Hivac Adapters or 1 Male Hivac Adapter with 1 Female Hivac Adapter For high density : 1 Male Hivac Adapter with 1 Female Hivac Adapter			

HERMETIC FEEDTHROUGH FOR SPACE OR INDUSTRIAL VACUUM APPLICATIONS



Positronic Industries
www.connectpositronic.com

RECAPITULATIVE PART-NUMBERS

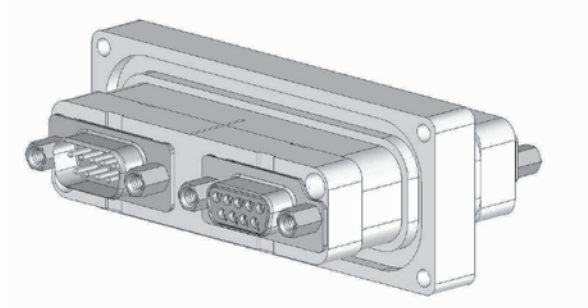
With All Adapter Variants

HIVAC Adapter	HIVAC Feedthrough	HIVAC Adapter	HIVAC Adapter	HIVAC Feedthrough	HIVAC Adapter
HIVAC37.9M*	HIVAC37.0	HIVAC37.9S*	HIVAC50.0	HIVAC50.9M*	HIVAC50.9S*
HIVAC37.9M*		HIVAC37.9M*		HIVAC50.9M*	HIVAC50.9M*
HIVAC37.9S*		HIVAC37.9S*		HIVAC50.9S*	HIVAC50.9S*
HIVAC37.2X9MS*		HIVAC37.2X9SM*	HIVAC50.2X9MM*		HIVAC50.2X9SS*
HIVAC37.2X9MS*		HIVAC37.2X9MS*	HIVAC50.15M*		HIVAC50.15S*
HIVAC37.2X9MM*		HIVAC37.2X9SS*	HIVAC50.15M*		HIVAC50.15M*
HIVAC37.2X9MM*		HIVAC37.2X9SS*	HIVAC50.15S*		HIVAC50.15S*
HIVAC37.2X9MM*		HIVAC37.2X9MM*	HIVAC50.25M*		HIVAC50.25S*
HIVAC37.2X9MM*		HIVAC37.2X9MS*	HIVAC50.25M*		HIVAC50.25M*
HIVAC37.2X9MM*		HIVAC37.2X9SM*	HIVAC50.25S*		HIVAC50.25S*
HIVAC37.2X9SS*		HIVAC37.2X9SS*	HIVAC50.50M*		HIVAC50.50S*
HIVAC37.2X9SS*		HIVAC37.2X9MS*	HIVAC50.50M*		HIVAC50.50M*
HIVAC37.2X9SS*		HIVAC37.2X9SM*	HIVAC50.50S*		HIVAC50.50S*
HIVAC37.15M*		HIVAC37.15S*	HIVAC44.1		HIVAC44.15S*
HIVAC37.15M*		HIVAC37.15M*	HIVAC44.15M*		HIVAC44.26S*
HIVAC37.15S*		HIVAC37.15S*	HIVAC44.26M*		HIVAC44.44MS*
			HIVAC44.44M*		
HIVAC37.25M*		HIVAC37.25S*	HIVAC62.1		HIVAC62.62S*
HIVAC37.25M*		HIVAC37.25M*	HIVAC62.62M*		
HIVAC37.25S*		HIVAC37.25S*			
HIVAC37.37M*		HIVAC37.37S*	HIVAC104.1		HIVAC104.78S*
HIVAC37.37M*		HIVAC37.37M*	HIVAC104.78M*		HIVAC104.15S*
HIVAC37.37S*		HIVAC37.37S*	HIVAC104.15M*		HIVAC104.104S*
			HIVAC104.104M*		

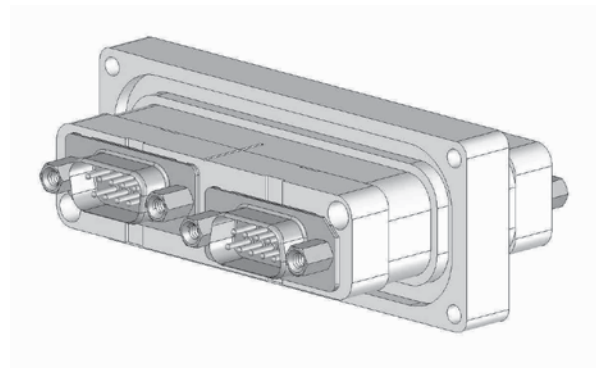
* Type of application: G, D or S (See Code Numbering System).

** For high density: 1 Male HIVAC adapter with 1 Female HIVAC adapter.

Example: HIVAC37.2x9MS



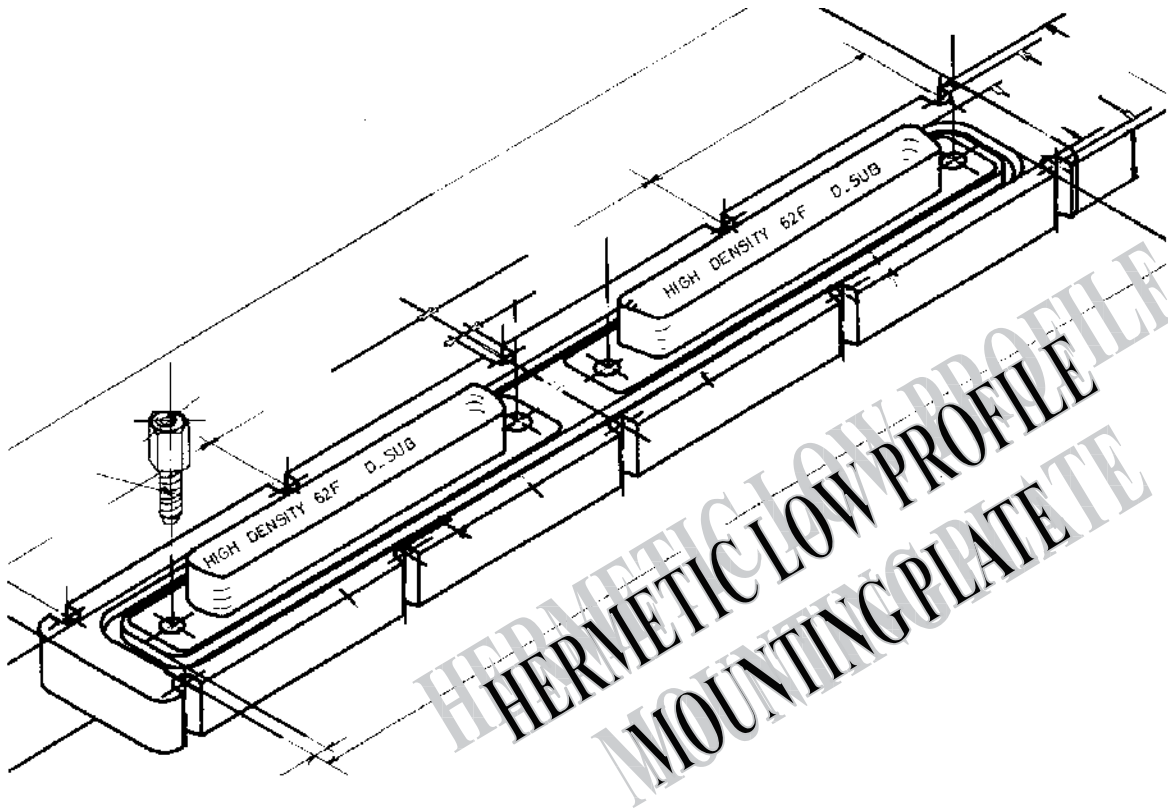
Example: HIVAC50.2x9MMS



HERMETIC CONNECTORS / FEEDTHROUGH CUSTOM DESIGN

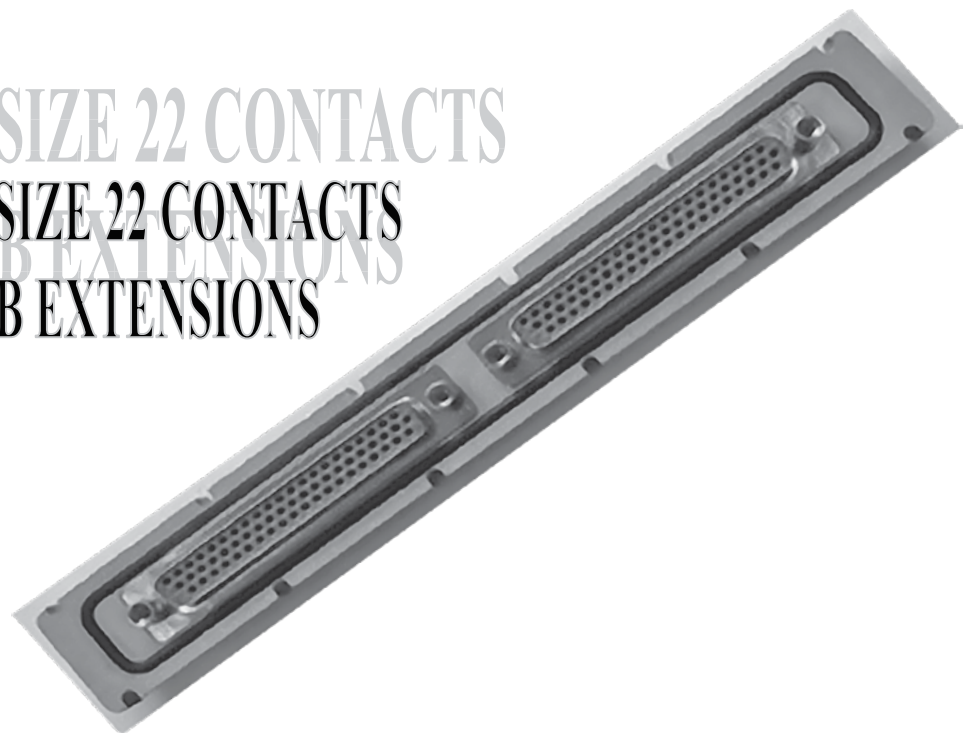


Positronic Industries
www.connectpositronic.com



HERMETIC LOW PROFILE
MOUNTING PLATE

124 FEMALE SIZE 22 CONTACTS
124 FEMALE SIZE 22 CONTACTS
WITH PCB EXTENSIONS



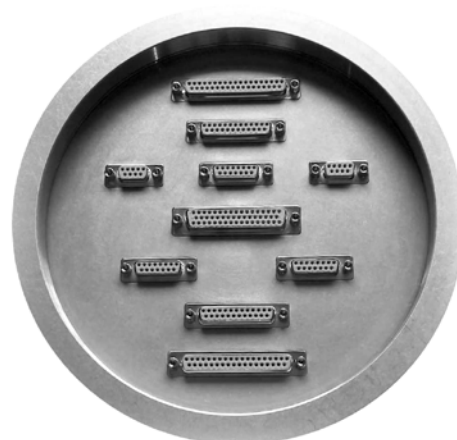


Positronic Industries
www.connectpositronic.com

HERMETIC CONNECTORS / FEEDTHROUGH CUSTOM DESIGN

HERMETIC ROUND FLANGES FOR INTERCONNECTION SYSTEM

10 D-SUBMINIATURE FEEDTHROUGHS



237 MALE / FEMALE SIZE 20 CONTACTS

HERMETIC ROUND FLANGES FOR VACUUM CHAMBERS

2 XAVAC® CONNECTORS

7 SAVAC® CONNECTORS



5 MALE/FEMALE SIZE 8 CONTACTS
20 MALE/FEMALE SIZE 20 CONTACTS

546 MALE/FEMALE SIZE 22 CONTACTS

HERMETIC FLANGE FOR VACUUM CHAMBERS

16 XAVAC® CONNECTORS



548 MALE/FEMALE SIZE 20 CONTACTS

HERMETIC ROUND FLANGE FOR VACUUM CHAMBERS

39 XAVAC® CONNECTORS



174 MALE / FEMALE SIZE 20 CONTACTS
1884 MALE / FEMALE SIZE 22 CONTACTS



Positronic Industries
www.connectpositronic.com

HERMETIC CONNECTORS / FEEDTHROUGH CUSTOM DESIGN

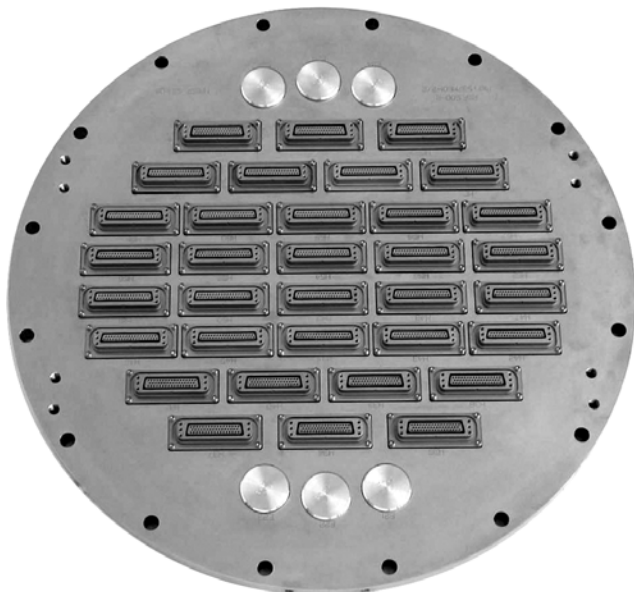
Our Hermetic Connectors are widely recognized for their reliability, durability and performance capabilities. They are utilized worldwide in Scientific Laboratories and Space Industries.

For quality and service at a competitive price, Positronic Industries is unbeaten. Give us a try.



HERMETIC ROUND FLANGE FOR VACUUM CHAMBERS

34 HIVAC® CONNECTORS

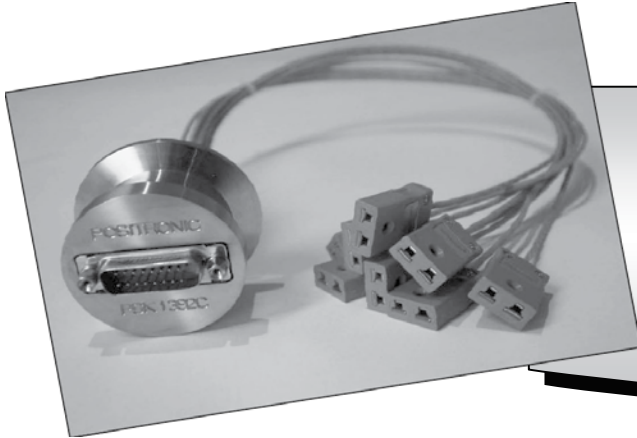


HERMETIC FLANGE REALIZED FOR
INTESPACE TOULOUSE - FRANCE

1531 FEMALE/FEMALE SIZE 20 CONTACTS



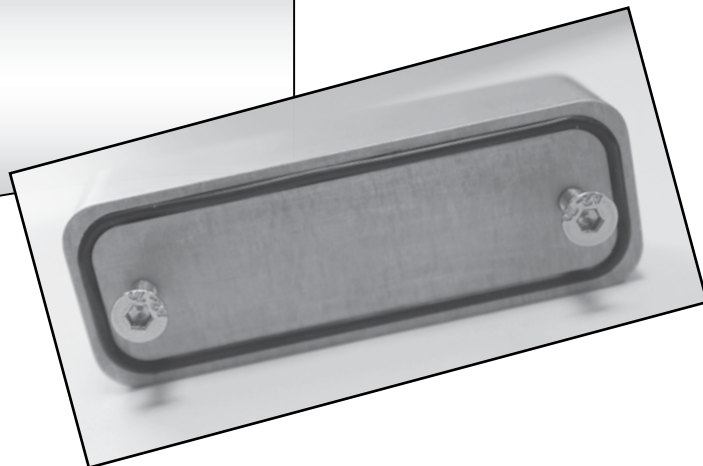
HERMETIC ROUND FLANGE FOR VACUUM CHAMBERS



THERMOCOUPLE SUBMINIATURE-D
FEEDTHROUGH
WITH SOCKET CONNECTORS
AND THERMOCOUPLE WIRES

HERMETIC OBTURATOR

OPTIONS ON REQUEST
CONSULT FACTORY





CONVERSION TABLE

	Pascal	Bar	Kg/cm ²	Atmosph.
Pascal	1	10 ⁻⁵	1,02.10 ⁻⁵	0,9869.10 ⁻⁵
Bar	105	1	1,02	0,9869
Kg/cm ²	0,980.10 ⁻⁵	0,980	1	0,968
Atmosph.	1013.10 ⁻⁵	1,013	1,033	1
Torr	133,3	0,1333.10 ⁻²	1,36.10 ⁻³	1315.10 ⁻³
Mbar	100	01.10 ⁻²	1,02.10 ⁻³	0,9869.10 ⁻³
Inch.Hg	3386	3,386.10 ⁻²	0,03453	0,03345
Psi	6990	6,89.10 ⁻²	0,0703	0,008

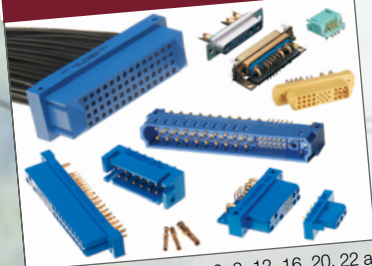
	Torr	Mbar	Inch.hg	Psi
Pascal	0,75.10 ⁻²	10 ⁻²	0,2953.10 ⁻³	0,1451.10 ⁻³
Bar	750	1000	29,53	14,51
Kg/cm ²	735	980	28,96	14,22
Atmosph.	760	1013	29,95	14,70
Torr	1	1,333	0,03937	0,01934
Mbar	0,750	1	0,02953	0,01451
Inch.Hg	25,4	33,86	1	0,4910
Psi	51,75	69,947	2,041	1



Connector Excellence[®]

Positronic HIGH RELIABILITY Products

POWER



FEATURES:

- High current density
- Energy saving - low contact resistance
- AC/DC operation in a single connector
- Signal contacts for hardware management
- Blind mating
- Sequential mating
- Large surface area contact mating system
- Wide variety of accessories
- Customer-specified contact arrangements
- Modular tooling which produces a single piece connector insert

Contact Sizes: 0, 8, 12, 16, 20, 22 and 24
Current Ratings: To 200 amperes per contact
Terminations: Crimp and fixed cable connector, straight solder, right angle (90°) solder, straight compliant press-in and right angle (90°) compliant press-in

Configurations: Multiple variants in a variety of package sizes
Compliance: PICMG 2.11, PICMG 3.0, VITA 41, DSCC, GSFC S-311-P-4, GSFC S-311-P-10

D-SUBMINIATURE



FEATURES:

- Four performance levels available for best cost/performance ratio: professional, industrial, military and space-flight quality
- Options include high voltage, coax, thermocouple and air coupling contacts; environmentally sealed and dual port connector packages including mixed density
- Broad selection of accessories
- Size 20 and 22 contacts suitable for use in carrying power
- IP65, IP67

Contact Sizes: 8, 16, 20 and 22
Current Ratings: To 100 amperes
Terminations: Crimp, wire solder, straight solder, right angle (90°) compliant press-in and right angle (90°) compliant press-in

Configurations: Multiple variants in both standard and high densities, seven connector housing sizes
Qualifications: MIL-DTL-24308, GSFC S-311-P-4, GSFC S-311-P-10, SAE AS39029, DSCC

RECTANGULAR



FEATURES:

- Two performance levels available: industrial quality and military quality
- A wide variety of accessories
- Broad selection of contact arrangement and package sizes
- Connector coding device (keying) options

Contact Sizes: 16, 20 and 22
Current Ratings: To 13 amperes nominal
Terminations: Crimp, wire solder, straight solder, right angle (90°) solder, and straight compliant press-in

Configurations: Multiple variants in both standard and high densities, thirty package sizes
Qualifications: MIL-DTL-28748, SAE AS39029, CCITT V,35

CIRCULAR



FEATURES:

- Non-corrodible / lightweight composite construction
- EMI/RFI shielded versions
- Thermocouple contacts
- Environmentally sealed versions
- Rear insertion/ front release of removable contacts
- Two level sequential mating
- Overmolding available on full assemblies

Contact Sizes: 12, 16, 20 and 22
Current Ratings: To 25 amperes nominal
Terminations: Crimp, wire solder, straight solder, and right angle (90°) solder
Configurations: Multiple variants in four package sizes
Qualifications: Environmental protection to IP67

CABLE



FEATURES:

- Shorten the supply chain and reduce additional costs and delays by "cabling" your Positronic connector selection
- Overmolding available
- Shielded and environmentally sealed versions available
- Power cables and access boxes which meet the SAE J2496 specification

- ✓ Design assemblies in accordance with customer specifications.
- ✓ Prepare cabled connector configuration and performance specifications.
- ✓ Design each system in accordance with applicable customer, domestic, and international standards.
- ✓ Define and conduct performance and verification testing.

HERMETIC



FEATURES:

- Intended for use as an electrical feedthrough in high vacuum applications
- Helium leakage rate at ambient temperature: $< 5 \times 10^{-9}$ mbar.l/s under a vacuum 1.5×10^{-2} mbar
- Signal, power, coax and high voltage versions available
- Connectors can be mounted on flange assembly per customer specification

Contact Sizes: 8, 12, 16, 20 and 22
Current Ratings: To 40 amperes nominal
Terminations: Feedthrough is standard; flying leads and board mount available upon request
Configurations: See D-subminiature and circular configurations above
Compliance: Space-D32

For more information, visit www.connectpositronic.com or call your nearest Positronic sales office listed on the back of this catalog.



Positronic[®]

an Amphenol company

Regional Headquarters

Positronic | Americas

423 N Campbell Ave
Springfield MO 65806 USA

+1 800 641 4054
info@connectpositronic.com

Positronic | Europe

Z.I. d'Engachies
46, route d'Engachies
F-32020 Auch Cedex 9 France

+33 5 6263 4491
contact@connectpositronic.com

Positronic | Asia

3014A Ubi RD 1 #07-01
Singapore 408703

+65 6842 1419
singapore@connectpositronic.com

Sales Offices

Positronic has local sales representation all over the world. To find the nearest sales office, please visit www.connectpositronic.com/locations

LOCATIONS

www.connectpositronic.com