

Micro-D, 0.050" Pitch, Connector Saver

Cinch DURA-CON Micro-D connector savers reduce damage to installed connectors during routine systems tests. The connector savers eliminate numerous mating and unmating cycles experienced by connectors on test harnesses. Locking hardware must be ordered separately. Contact reliability is assured with the Twist Pin design that provides 7 points of contact when mated.



Features

- Designed to significantly reduce damage to already mounted Dura-Con connectors during routine system tests.
- Eliminates numerous mating & unmating cycles experienced by connectors on test harnesses.
- Plug connector on one end, socket connector on the other.
- Available in all-plastic (polyester) or in metal shell with diallyl phthalate or polyester insulators (both UL94V-0 rated).
- Locking hardware must be ordered separately.

Materials

| | |
|--------------------|---|
| Insulator | UL94V-0 glass-filled polyester or diallyl phthalate |
| Contacts | Copper alloy |
| Contact Plating | 0.000050 in gold |
| Shell (Metal Only) | Aluminum alloy |
| Shell Plating | Yellow chromate over cadmium |

Environmental

| | |
|-----------------------|-----------------|
| Operating Temperature | -55°C to +135°C |
|-----------------------|-----------------|

Electrical

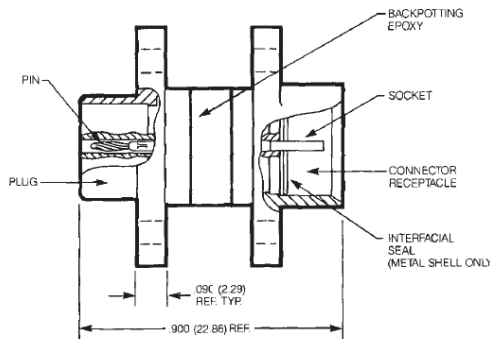
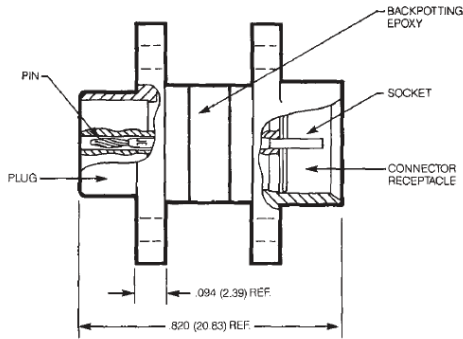
| | |
|----------------------|-------------------------|
| Current Rating | 3 Amps maximum |
| Withstanding Voltage | 600 VAC RMS @ sea level |
| Contact Resistance | 8 milliohms maximum |

Mechanical

| | |
|--------------------|---|
| Individual Contact | Insertion force, 6 oz. (170.40 g) maximum; Withdrawal force 0.5 oz. (14.20 g) minimum |
|--------------------|---|

SPECIFICATIONS

Dura-Con™



Dura-Con, micro-d connector savers

| No of Positions | Glass-Filled Polyester Catalog No | Mates to |
|-----------------|-----------------------------------|--|
| 9 | DCDM9CS | DCCM9P*, DCCM9S*, DCDM9P*, DCDM9S*, M83513/01-A*, M83513/02-A*, M83513/03-A*, M83513/04-A*, M83513/10-A*, M83513/13-A*, M83513/16-A*, M83513/19-A*, M83513/22-A*, M83513/25-A* |
| 15 | DCDM15CS | DCCM15P*, DCCM15S*, DCDM15P*, DCDM15S*, M83513/01-B*, M83513/02-B*, M83513/03-B*, M83513/04-B*, M83513/10-B*, M83513/13-B*, M83513/16-B*, M83513/19-B*, M83513/22-B*, M83513/25-B* |
| 21 | DCDM21CS | DCCM21P*, DCCM21S*, DCDM21P*, DCDM21S*, M83513/01-C*, M83513/02-C*, M83513/03-C*, M83513/04-C*, M83513/10-C*, M83513/13-C*, M83513/16-C*, M83513/19-C*, M83513/22-C*, M83513/25-C* |
| 25 | DCDM25CS | DCCM25P*, DCCM25S*, DCDM25P*, DCDM25S*, M83513/01-D*, M83513/02-D*, M83513/03-D*, M83513/04-D*, M83513/10-D*, M83513/13-D*, M83513/16-D*, M83513/19-D*, M83513/22-D*, M83513/25-D* |
| 31 | DCDM31CS | DCCM31P*, DCCM31S*, DCDM31P*, DCDM31S*, M83513/01-E*, M83513/02-E*, M83513/03-E*, M83513/04-E*, M83513/10-E*, M83513/13-E*, M83513/16-E*, M83513/19-E*, M83513/22-E*, M83513/25-E* |
| 37 | DCDM37CS | DCCM37P*, DCCM37S*, DCDM37P*, DCDM37S*, M83513/01-F*, M83513/02-F*, M83513/03-F*, M83513/04-F*, M83513/10-F*, M83513/13-F*, M83513/16-F*, M83513/19-F*, M83513/22-F*, M83513/25-F* |
| 51 | DCDM51CS | DCCM51P*, DCCM51S*, DCDM51P*, DCDM51S*, M83513/01-G*, M83513/02-G*, M83513/03-G*, M83513/04-G*, M83513/11-G*, M83513/14-G*, M83513/17-G*, M83513/20-G*, M83513/23-G*, M83513/26-G* |
| 100 | DCDM100CS | DCCM100P*, DCCM100S*, DCDM100P*, DCDM100S*, M83513/01-H*, M83513/02-H*, M83513/03-H*, M83513/04-H*, M83513/12-H*, M83513/15-H*, M83513/18-H*, M83513/21-H*, M83513/24-H*, M83513/27-H* |



Asia Pacific
+86 21 5442 7668
ccs.asia.sales@as.cinch.com

Europe, Middle East & Africa
+44 (0) 1245 342060
CinchConnectivity@eu.cinch.com

North America
+1 507.833.8822
inquiry@us.cinch.com

belfuse.com/cinch