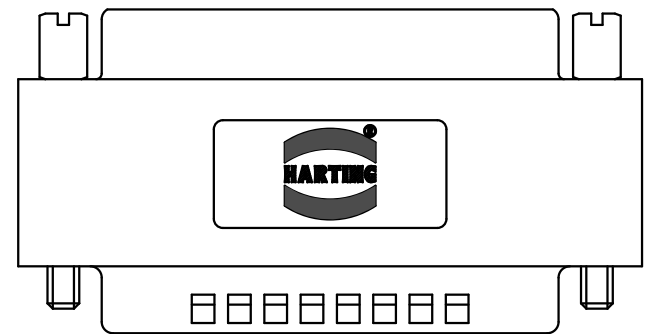
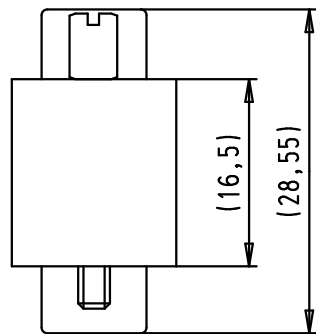
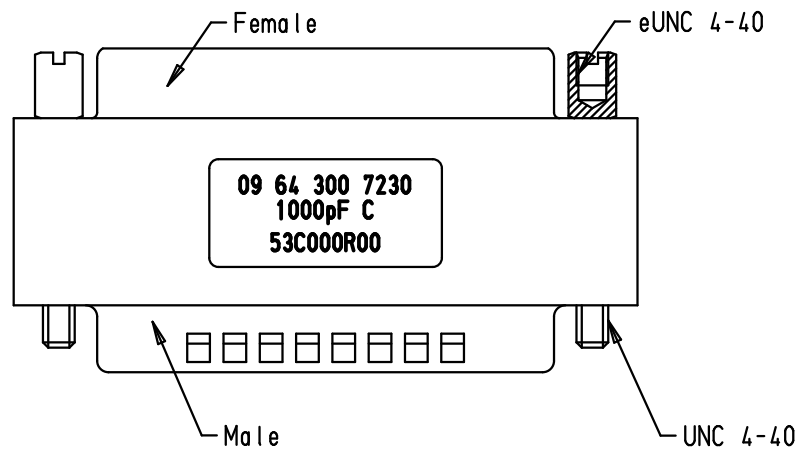


5 4 3 2 1

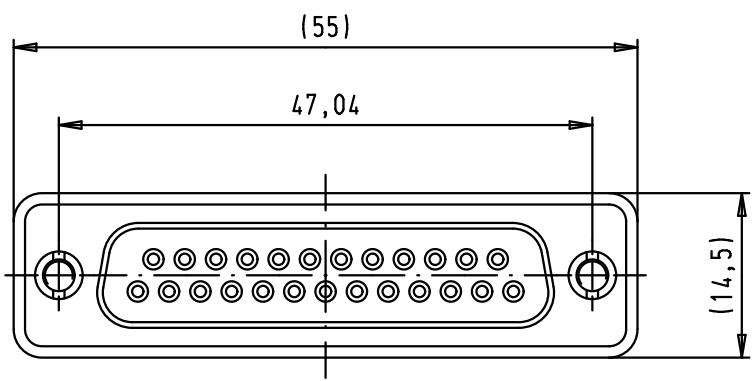


SPECIFICATIONS

|                 |             |
|-----------------|-------------|
| Filter type     | C           |
| Capacitance     | 1000 pF±20% |
| Working voltage | 100 V       |
| Current rating  | 6,5 A       |

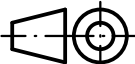

Minimum insertion loss

| FREQUENCY (MHz) | ATTENUATION (dB) |
|-----------------|------------------|
| 5               | 1                |
| 10              | 3                |
| 50              | 12               |
| 100             | 20               |
| 500             | 34               |
| 1000            | 30               |



Note: Jack-screws are not pre-mounted to allow mounting from any ends

A

|       |          |      |                               |          |      |   |   |                   |
|-------|----------|------|-------------------------------|----------|------|---|---|-------------------|
|       |          |      |                               | Dot.     | Name | <br>All Dim. in mm<br>Orig. Size DIN A 4 | Male / Female D-Sub<br>filter adapter,<br>25 poles, 1000 pF | Maßstab/<br>Scale |
|       |          |      | Detail.                       | 03/09/07 | JS   |   |   | 1,5:1             |
| 34901 | 01/04/08 | BB   | Insp.                         |          |      |   |   |                   |
| 34894 | 12/03/08 | PK   | Stand.                        |          |      |   | Blatt/ Page   |                   |
|       | 03/09/07 | JS   | HARTING EURL<br>F-95972 Paris |          |      |    | TB 09 64 300 7230   | 1 / 1             |
| Mod.  | Dot.     | Name |                               |          |      |   | Sub.  |                   |