

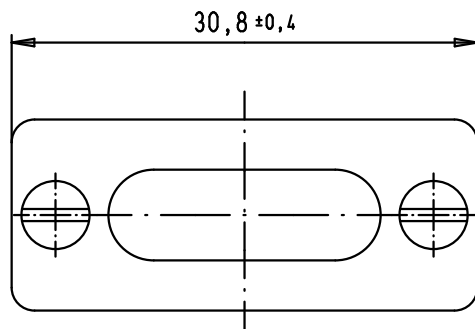
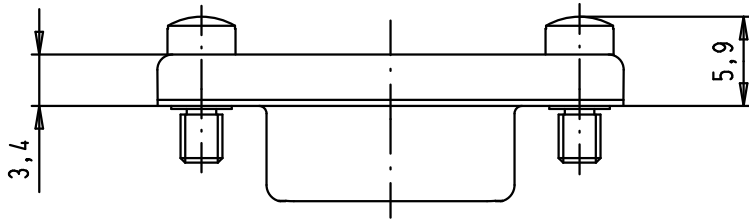
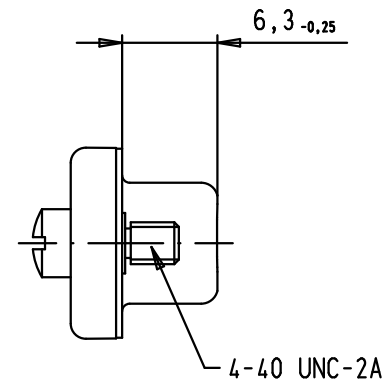
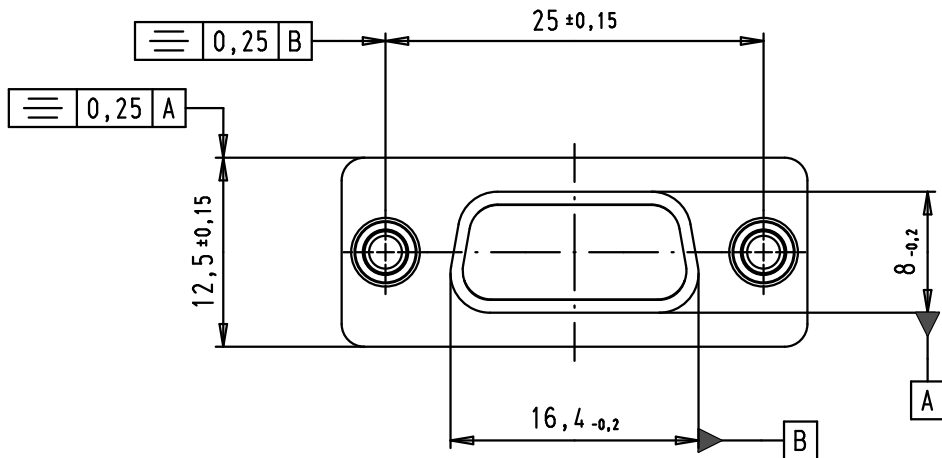
5

4

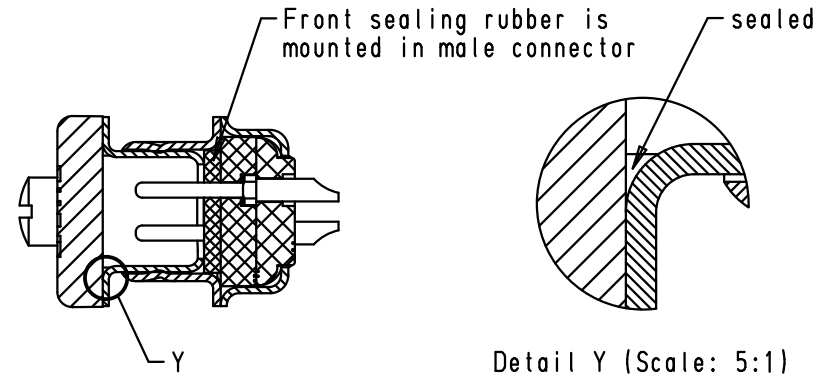
3

2

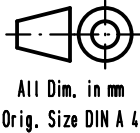

1



IP 67 shielding concept



Front sealing rubber 09 67 002 9001 must be purchased separately

| | | | | | | | | |
|-------|----------|------|-------------------------------|----------|------|--|--|-------------------|
| | | | | Dot. | Name |  <p>All Dim. in mm Orig. Size DIN A 4</p> | IP 67 female metal shielding cap, tin plated shell for 9 poles male D-Sub with screw locks | Maßstab/ Scale |
| | | | Detail. | 12/04/07 | PK | | | 2:1 |
| | | | Insp. | | | | | |
| | | | Stand. | | | | | |
| 34906 | 18/04/08 | PK | HARTING EURL F-95972 Paris | | |  | TB 09 67 002 9060 | Blatt/ Page |
| 33977 | 12/04/07 | PK | | | | | | 1 / 1 |
| Mod. | Dot. | Name | | | | | | Sub. |