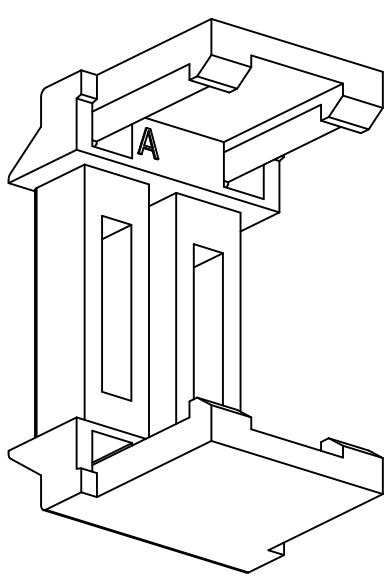
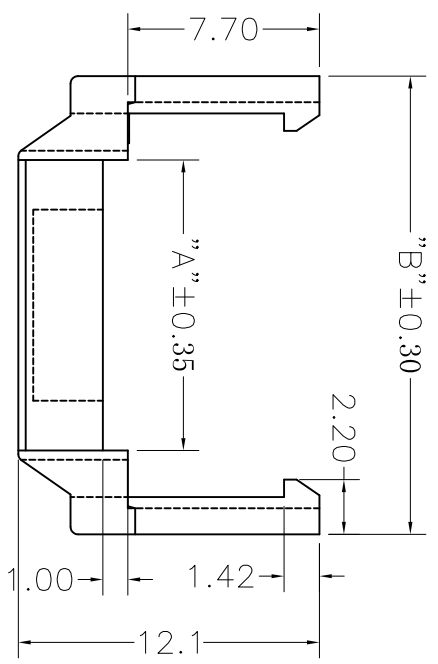
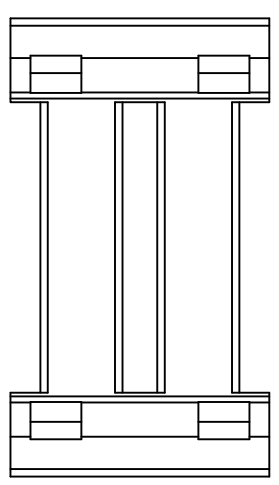
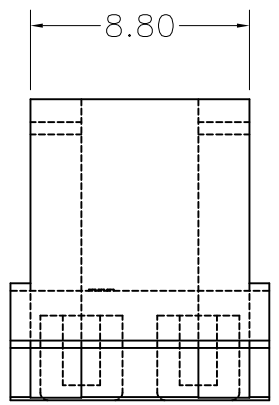
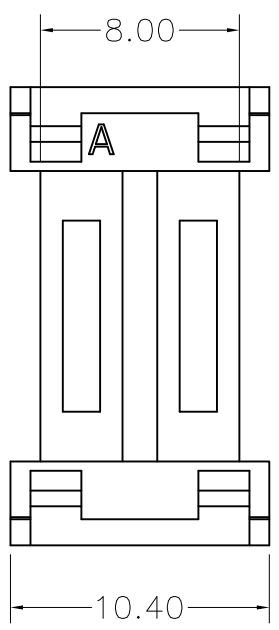


REV.	DESCRIPTION	DATE
A	新开模	2016.06.06



PART NO.	NUMBER OF POSITIONS	DIMENSION	
		A	B
4S-09	9	11.43	18.42
4S-15	15	19.30	26.73
4S-25	25	32.00	40.58
4S-37	37	47.24	57.20

**Cnc Tech, LLC**

ITEM : STRAIN RELIEF FOR D-SUB IDC

UNLESS TOLERANCE	
GENERAL	ANGLE
X. ± 0.38	X.° ± 3.0°
.X ± 0.30	.X° ± 2.0°
.XX ± 0.25	.XX° ± 1.0°
.XXX ± 0.10	.XXX ± 0.5°

DRAW BY	杨国祥
DESIGN BY	袁刚
CHECK BY	
APPROVE BY	
SCALE	1:1
SHEET	1/1
UNIT	MM

DRAW NO:	REV: A0
----------	---------

