

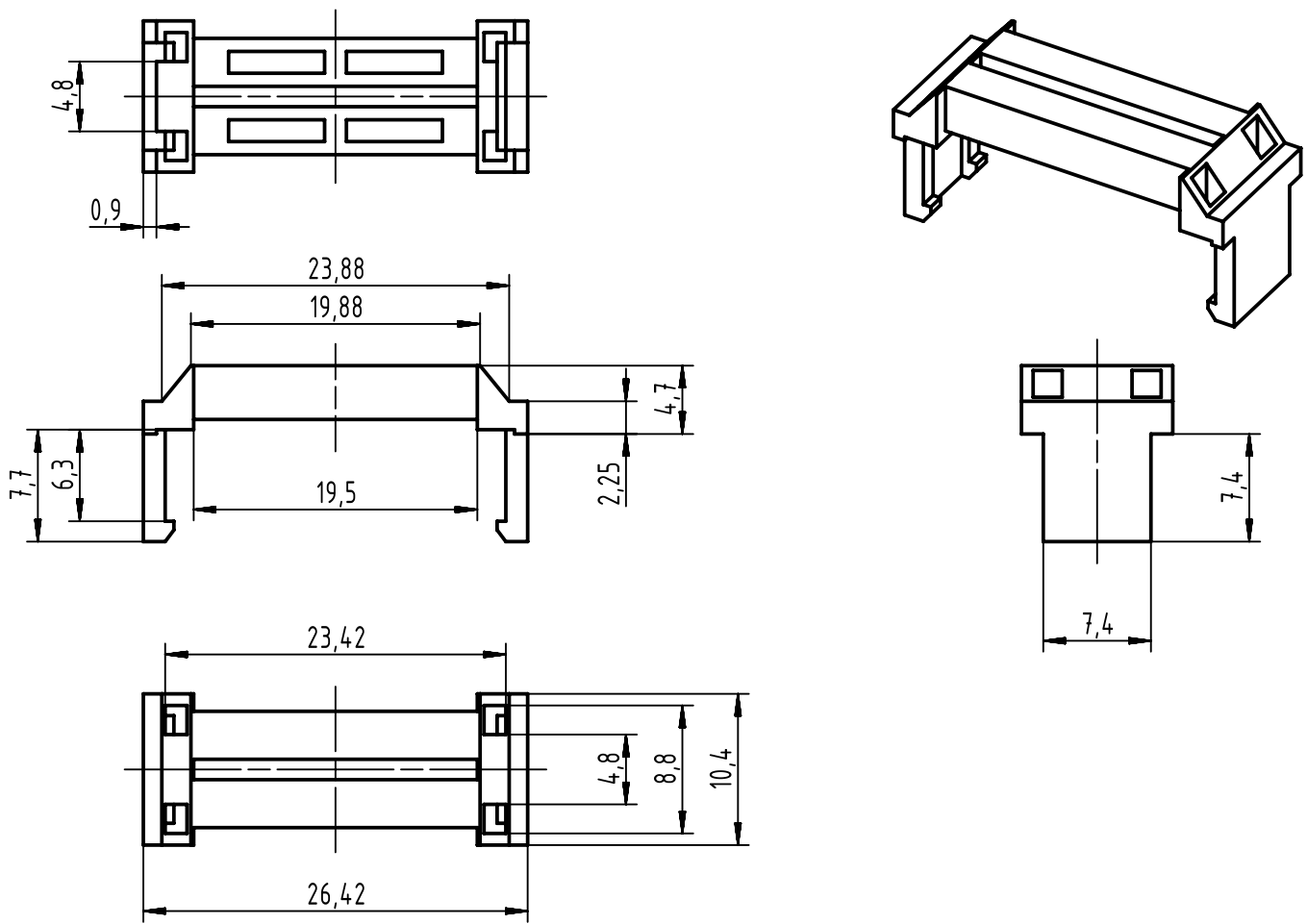
1 2 3 4 5 6


A

B

C

D



	All Dimensions in mm Original Size DIN A4	Scale 2:1	Free size tol.		Ref.
	All rights reserved Department EC PD - CN	Created by ZENG D	Inspected by LUOK	Standardisation HOFFMANN	Date 2016-05-10
HARTING Electronics GmbH D-32339 Espelkamp	Title Strain relief for D-Sub IDC 15-pole				Doc-Key / ECM-Nr. 100580002/UGD/000/B 500000104176
		Type TB	Number 09662080001		Rev. B
					Page 1/1