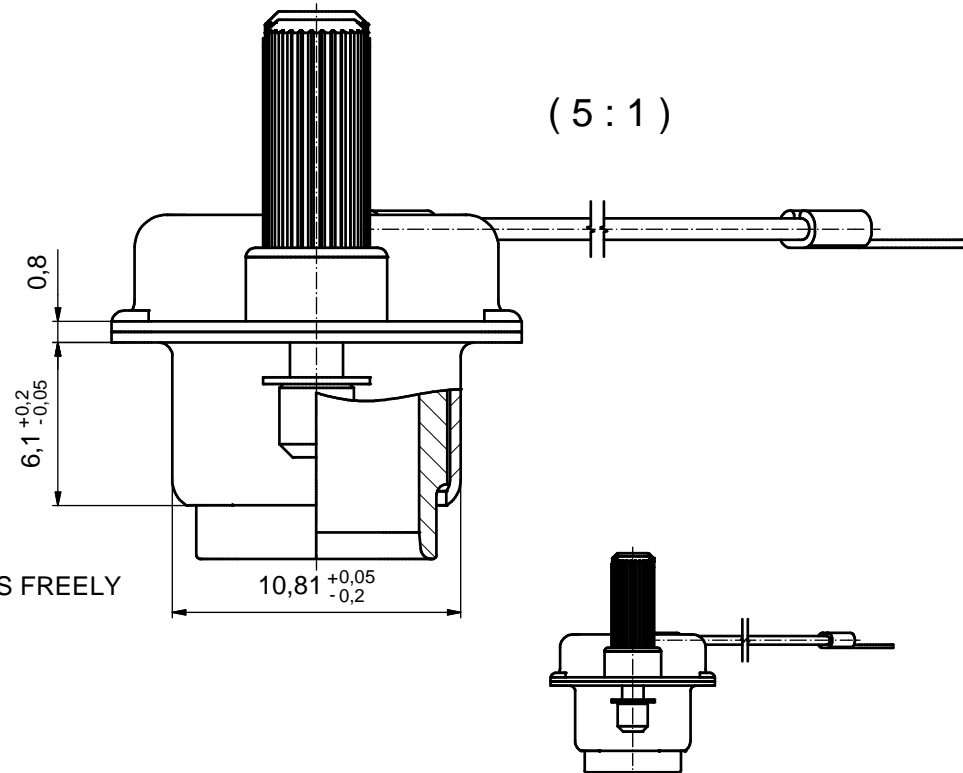


Part. No. for plug connector	
UNC 4-40	M3
15-000150	15-000200



NOTES:

- METALSHELLS: COPPER ALLOY; min. 315µin TIN over 40-80µin NICKEL
- TPE ETHYLENE PROPYLENE THERMOPLASTIC RUBBER SEAL
- IP RATING: THE WATER RESISTANT CAP MUST BE MOUNTED PROPERLY TO THE MATING CONNECTOR FOR IP 67
- THREADED INSERT: COPPER ALLOY; min. 200µin TIN over 80µin NICKEL
- COLLAR: COPPER ALLOY; min. 200µin TIN over 80µin NICKEL
- JACKSCREW: STAINLESS STEEL 1.4305
- WIRE ROPE: STAINLESS STEEL 1.4401
- RETAINING WASHER: STAINLESS STEEL 1.4122
- TERMINAL RING: UNINSULATED, COPPER ALLOY; min. 200µinTIN over 80µin NICKEL
- MAXIMUM TORQUE VALUE FOR THREAD: 6in.LB
- CONNECTOR IS PART MARKED: [PART NO. CONEC ABC]

Directive 2002/95/EC
"RoHS"
Compliant

THIS DRAWING MAY NOT BE COPIED OR REPRODUCED IN ANY WAY, AND MAY NOT BE PASSED ON TO A THIRD PARTY WITHOUT WRITTEN PERMISSION. OWNERSHIP AND COPYRIGHT OF CONEC GmbH DO NOT ALTER CAD DRAWING BY HAND	tolerance			scale:		2:1 (5:1)	
	ISO 2768-m			dim. in mm		material:	SEE NOTES
	date		name		title:		WATER RESISTANT SCREEN CAP 50pos. FOR PLUG CONNECTOR with threaded insert, jackscrew and wire rope
	drawn	26.05.08	Petker	dwg no:		Inventor 10	
appd.	26.05.08	Fischer	part no:		15K1A225		
norm		d-old		DIN-A3		sh: 1	
a	Origin			part no:		see table	
rev.	description			date		name	