

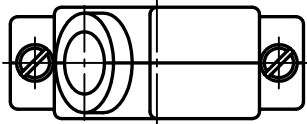
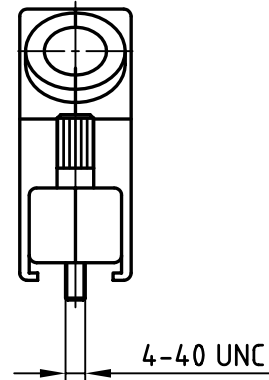
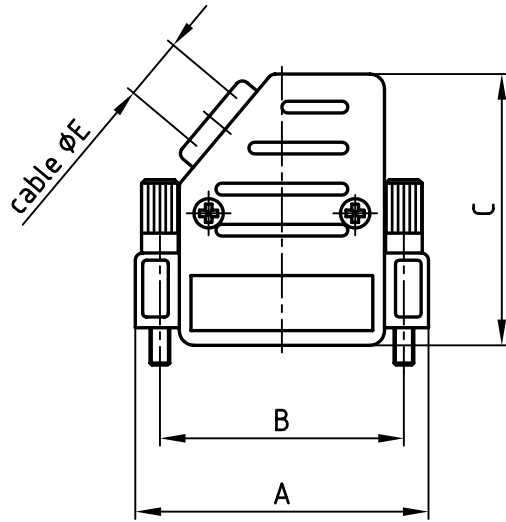
4

3

2

1

used for: D-SUB



Directive 2002/95/EC
"RoHS"
Compliant

No. of pos.	A	B	C	D	ØE	Part No:
9	31.5	25.0	37.0	15.2	8.5	600X57009X
15	40.0	33.3	37.0	15.2	8.5	600X57015X
25	53.5	47.0	41.0	15.2	11.0	600X57025X
37	70.0	63.5	41.0	15.2	11.0	600X57037X
50	67.8	61.1	41.0	18.2	12.0	600X57050X

APPROVAL * FREIGABE * DEBLOCAGE * AUTORIZACION * APPROVAL

CUSTOMER APPROVAL DATE:


NAME: TITLE:

COMPANY NAME:

APPROVAL * FREIGABE * DEBLOCAGE * AUTORIZACION * APPROVAL

THIS DRAWING MAY NOT BE COPIED OR REPRODUCED IN ANY WAY, AND MAY NOT BE PASSED ON TO A THIRD PARTY WITHOUT WRITTEN PERMISSION.
OWNERSHIP AND COPYRIGHT OF CONEC GmbH
DO NOT ALTER CAD DRAWING BY HAND

rev.	description	date	name

tolerance  dim. in mm

2002	date	name
drawn	28.02.	Schmidt
appd.	28.02.	E. Mickenbecker
norm	DIN41652	
d-old	KAT116QA	

CONEC[®]

scale:	1:1	
material:	ABS UL 94 V-0 Metallized	
title:	Plastic hood side cable exit, with jack screws 9 - 50 pos.	
dwg no:	AutoCAD 2000	DIN-A
	16K1A673	4
		sh: 1/1
part no:	SEE TABLE	

4

3

2

1