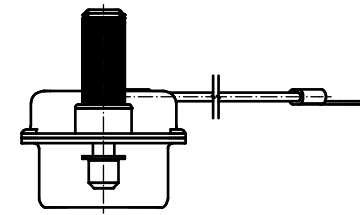
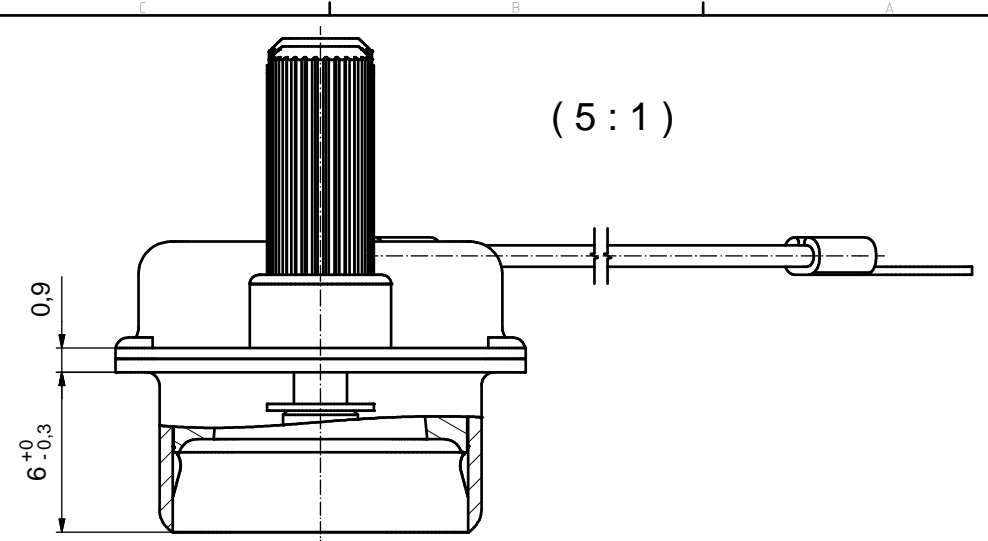


Part. No. for socket connector	
UNC 4-40	M3
15-000050	15-000100



NOTES:

1. METALSHELLS: COPPER ALLOY; min. 315µin TIN over 40-80µin NICKEL
2. TPE ETHYLENE PROPYLENE THERMOPLASTIC RUBBER SEAL
3. IP RATING: THE WATER RESISTANT CAP MUST BE MOUNTED PROPERLY TO THE MATING CONNECTOR FOR IP 67
4. THREADED INSERT: COPPER ALLOY; min. 200µin TIN over 80µin NICKEL
5. COLLAR: COPPER ALLOY; min. 200µin TIN over 80µin NICKEL
6. JACKSCREW: STAINLESS STEEL 1.4305
7. WIRE ROPE: STAINLESS STEEL 1.4401
8. RETAINING WASHER: STAINLESS STEEL 1.4122
9. TERMINAL RING: UNINSULATED, COPPER ALLOY; min. 200µinTIN over 80µin NICKEL
10. MAXIMUM TORQUE VALUE FOR THREAD: 6in.LB
11. CONNECTOR IS PART MARKED: [PART NO. CONEC ABC]

Directive 2002/95/EC
"RoHS"
Compliant

THIS DRAWING MAY NOT BE COPIED OR REPRODUCED IN ANY WAY, AND MAY NOT BE PASSED ON TO A THIRD PARTY WITHOUT WRITTEN PERMISSION. OWNERSHIP AND COPYRIGHT OF CONEC GmbH DO NOT ALTER CAD DRAWING BY HAND	tolerance		 dim. in mm	scale:	2:1 (5:1)
	ISO 2768-m			material:	SEE NOTES
	date	name	title:		
	drawn 23.05.08	Petker	WATER RESISTANT SCREEN CAP 50pos. FOR SOCKET CONNECTOR with threaded insert, jackscrew and wire rope		
	appd. 26.05.08	Fischer	dwg no:	Inventor 10	DIN-A3
norm					
d-old					
a	Origin			sh: 1	
rev.	description	date	name	part no:	see table