

GAL20V8QS-10L, -15L

24-Pin 0.8 μ EECMOS PLDs

General Description

The EECMOS GAL20V8QS devices are fabricated using National's CS80BEV 0.8 μ Electrically Erasable CMOS process. This advanced process makes National's GAL20V8QS extremely fast, allowing controlled output edge rates which dramatically reduce noise. Low noise is actually specified and guaranteed with National's GAL20V8QS Quiet Series™ devices.

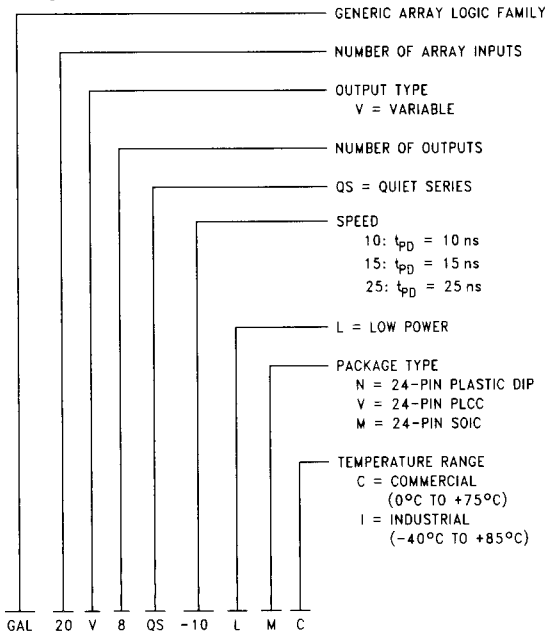
National's fast programming algorithm allows the GAL20V8QS to be programmed significantly faster than similar devices using industry standard programmers. Fast programming reduces the cost of programming by greatly increasing programming throughput. National guarantees a minimum of 100 erase/write cycles.

Unique test circuitry and reprogrammable cells allow complete AC, DC, cell, and functionality testing during manufacture. Therefore, National guarantees 100% field programmability and functionality of GAL® devices. In addition, a security circuit is built-in, providing proprietary designs with copy protection.

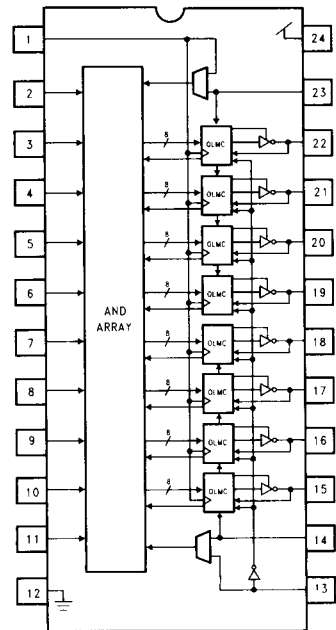
Features

- High performance 0.8 μ EECMOS technology
 - 10 ns maximum propagation delay
 - 5 ns setup time delay
 - 7.5 ns clock to registered output delay
 - $t_{MAX} = 80$ MHz
 - Reduced ground bounce
 - 2000V ESD protection
- Reduced power
 - I_{CC} max = 90 mA @ 25 MHz
- Electrically erasable cell technology
 - 100% tested at manufacture
- Fast programming algorithm
 - Reduces programming cost, increases throughput
- Emulates popular PAL® devices
- Fully supported by National's OPAL™ and OPAL jr software as well as 3rd-party PLD development software
- Commercial and industrial grades

Ordering Information



Block Diagram



TRI-STATE® is a registered trademark of National Semiconductor Corporation.
 OPAL™ and Quiet Series™ are trademarks of National Semiconductor Corporation.
 GAL® is a registered trademark of Lattice Semiconductor.
 PAL® is a registered trademark of and used under license from Advanced Micro Devices, Inc.

COMMERCIAL

Absolute Maximum Ratings (Note 1)

If Military/Aerospace specified devices are required, please contact the National Semiconductor Sales Office/Distributors for availability and specifications.

Supply Voltage (V_{CC}) (Note 2)	-0.5V to +7.0V
Input Voltage (Note 2)	-2.5V to $V_{CC} + 1.0V$
Off-State Output Voltage (Note 2)	-2.5V to $V_{CC} + 1.0V$
Output Current	± 100 mA
Storage Temperature	-65°C to +150°C
Latch-up Current	200 mA

Ambient Temperature with Power Applied	-65°C to +125°C
Junction Temperature	-65°C to +150°C
Lead Temperature (Soldering, 10 seconds)	300°C
ESD Tolerance	2000V
$C_{ZAP} = 100$ pF	
$R_{ZAP} = 1500\Omega$	
Test Method: Human Body Model	
Test Specification: NSC SOP-5-028	

Recommended Operating Conditions

Symbol	Parameter	Commercial			Units
		Min	Typ	Max	
V_{CC}	Supply Voltage	4.75	5	5.25	V
T_A	Operating Free-Air Temperature	0	25	75	°C
t_r	Clock Rise Time		3	250	ns
t_f	Clock Fall Time		3	250	ns
t_{rVCC}	V_{CC} Rise Time			250	ms

Electrical Characteristics

Symbol	Parameter	Conditions	Commercial		Units
			Min	Max	
V_{IH}	High Level Input Voltage		2.0	$V_{CC} + 1.0$	V
V_{IL}	Low Level Input Voltage		-0.5	0.8	V
V_{OH}	High Level Output Voltage	$V_{CC} = \text{Min}, I_{OH} = -3.2$ mA	2.4		V
V_{OL}	Low Level Output Voltage	$V_{CC} = \text{Min}, I_{OL} = 24$ mA		0.5	V
I_{IH}	High Level Input Current	$V_{CC} = \text{Max}, V_I = V_{CC} (\text{max})$		10	μ A
I_{IL}	Low Level Input Current	$V_{CC} = \text{Max}, V_I = \text{GND}$		-10	μ A
I_{OS}	Output Short Circuit Current	$V_{CC} = 5.0V, V_O = 0.5V$ ($T_A = 25^\circ\text{C}$ (One Output, Duration < 1 second))	-30	-135	mA
I_{CC}	Supply Current (Note 3)	$f = 25$ MHz, $V_{CC} = \text{Max}$, No Load	-10L	115	mA
			-15L	90	
C_I	Input Capacitance	$V_{CC} = 5.0V, T_A = 25^\circ\text{C}$, $f = 25$ MHz		5	pF
$C_{I/O}$	I/O Capacitance	$V_{CC} = 5.0V, T_A = 25^\circ\text{C}$, $f = 25$ MHz		6	pF

Note 1: Absolute Maximum Ratings are those values beyond which the device may be permanently damaged. Proper operation is not guaranteed outside the specified Recommended Operating Conditions.

Note 2: Some device pins may be raised above these limits during programming and preload operations according to the applicable specification.

Note 3: I_{CC} parameters are not directly 100% tested.

COMMERCIAL

AC Specifications

Symbol	Parameter	Conditions (Note 4)	Commercial				Units
			-10L		-15L		
			Min	Max	Min	Max	
t_{PD}	Input or F/B to Combinatorial Output			10		15	ns
t_{SU}	Input or F/B Setup Time before Clock		5		7		ns
t_H	Hold Time (Input after Clock)		0		0		ns
t_{CLK}	Clock to Registered Output or F/B			7.5		9	ns
f_{MAX}	Clock Frequency (Note 5)	With Feedback		80		62.5	MHz
		Without Feedback		83.3		62.5	
t_W	Clock Pulse Width (High/Low)	Referenced at 1.5V	6		8		ns
t_{CYCLE}	Clock Period (with F/B)	$t_{CYCLE} = t_{SU} + t_{CLK}$	12.5		16		ns
t_{PZxI}	Input to Output Enable			10		15	ns
t_{PxZI}	Input to Output Disable (Note 6)			12		15	ns
t_{PZxG}	\bar{G} to Output Enable			10		15	ns
t_{PxZG}	\bar{G} to Output Disable (Note 6)			12		15	ns
t_{RESET}	Power-Up to Registered Output High			45		45	μ s
f_i	Input Frequency (Note 7)			100		66.6	MHz
t_{PR}	Clock Valid after Power Up			100		100	ns

Note 4: See AC test load on page 6. t_{CC} is measured with the GAL20V8QS configured as two 4-bit Gray code counters.

Note 5: f_{MAX} parameters not directly 100% tested.

Note 6: Values are tested with $C_L = 50$ pF.

Note 7: $f_i = (t_{PD})^{-1}$.

INDUSTRIAL

Absolute Maximum Ratings (Note 1)

If Military/Aerospace specified devices are required, please contact the National Semiconductor Sales Office/Distributors for availability and specifications.

Supply Voltage (V_{CC}) (Note 2)	-0.5V to +7.0V
Input Voltage (Note 2)	-2.5V to $V_{CC} + 1.0V$
Off-State Output Voltage (Note 2)	-2.5V to $V_{CC} + 1.0V$
Output Current	± 100 mA
Storage Temperature	-65°C to +150°C
Latch-Up Current	200 mA

Ambient Temperature with Power Applied	-65°C to +125°C
Junction Temperature	-65°C to +150°C
Lead Temperature (Soldering, 10 seconds)	300°C
ESD Tolerance	2000V
$C_{ZAP} = 100$ pF	
$R_{ZAP} = 1500\Omega$	
Test Method: Human Body Model	
Test Specification: NSC SOP-5-028	

Recommended Operating Conditions

Symbol	Parameter	Industrial			Units
		Min	Typ	Max	
V_{CC}	Supply Voltage	4.50	5	5.50	V
T_A	Operating Free-Air Temperature	-40	25	85	°C
t_r	Clock Rise Time		3	250	ns
t_f	Clock Fall Time		3	250	ns
t_{rVCC}	V_{CC} Rise Time			250	ms

Electrical Characteristics

Symbol	Parameter	Conditions	Industrial		Units
			Min	Max	
V_{IH}	High Level Input Voltage		2.0	$V_{CC} + 1.0$	V
V_{IL}	Low Level Input Voltage		-0.5	0.8	V
V_{OH}	High Level Output Voltage	$V_{CC} = \text{Min}, I_{OH} = -3.2$ mA	2.4		V
V_{OL}	Low Level Output Voltage	$V_{CC} = \text{Min}, I_{OL} = 24$ mA		0.5	V
I_{IH}	High Level Input Current	$V_{CC} = \text{Max}, V_I = V_{CC} (\text{max})$		10	μ A
I_{IL}	Low Level Input Current	$V_{CC} = \text{Max}, V_I = \text{GND}$		-10	μ A
I_{OS}	Output Short Circuit Current	$V_{CC} = 5.0V, V_O = 0.5V$ $T_A = 25^\circ\text{C}$ (One Output, Duration < 1 second)	-30	-135	mA
I_{CC}	Supply Current (Note 3)	$f = 25$ MHz, $V_{CC} = \text{Max}$, No Load	-10L	130	mA
			-15L	130	
C_I	Input Capacitance	$V_{CC} = 5.0V, T_A = 25^\circ\text{C}$, $f = 25$ MHz	5		pF
$C_{I/O}$	I/O Capacitance	$V_{CC} = 5.0V, T_A = 25^\circ\text{C}$, $f = 25$ MHz	6		pF

Note 1: Absolute Maximum Ratings are those values beyond which the device may be permanently damaged. Proper operation is not guaranteed outside the specified Recommended Operating Conditions.

Note 2: Some device pins may be raised above these limits during programming and preload operations according to the applicable specification.

Note 3: I_{CC} parameters not directly 100% tested.

INDUSTRIAL

AC Specifications

Symbol	Parameter	Conditions (Note 4)	Industrial				Units
			-10L		-15L		
			Min	Max	Min	Max	
t_{PD}	Input or F/B to Combinatorial Output			10		15	ns
t_{SU}	Input or F/B Setup Time before Clock		5		7		ns
t_H	Hold Time (Input after Clock)		0		0		ns
t_{CLK}	Clock to Registered Output or F/B			7.5		9	ns
f_{MAX}	Clock Frequency (Note 5)	With Feedback		80		62.5	MHz
		Without Feedback		83.3		62.5	
t_W	Clock Pulse Width (High/Low)	Referenced at 1.5V	6		8		ns
t_{CYCLE}	Clock Period (with F/B)	$t_{CYCLE} = t_{SU} + t_{CLK}$	12.5		16		ns
t_{PZxI}	Input to Output Enable			10		15	ns
t_{PxZI}	Input to Output Disable (Note 6)			12		15	ns
t_{PZxG}	\bar{G} to Output Enable			10		15	ns
t_{PxZG}	\bar{G} to Output Disable (Note 6)			12		15	ns
t_{RESET}	Power-Up to Registered Output High			45		45	μs
f_I	Input Frequency (Note 7)			100		66.6	MHz
t_{PR}	Clock Valid after Power-Up			100		100	ns

Note 4: See AC test load on page 6. I_{CC} is measured with the GAL20V8QS configured as two 4-bit Gray code counters.

Note 5: f_{MAX} and I_{CC} parameters not directly 100% tested.

Note 6: Values are tested with $C_L = 50$ pF.

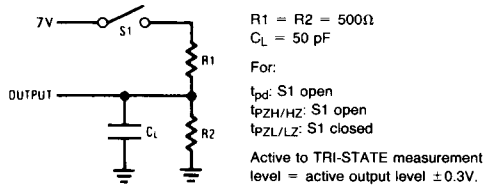
Note 7: $f_I = (t_{PD})^{-1}$.

GAL20V8QS Quiet Electrical Characteristics

Symbol	Parameter	Conditions (Note 1)	Commercial		Units
			Typ	Max	
V_{OLP}	Quiet Output Maximum Dynamic V_{OL}	$V_{CC} = 5.0V, T = 25^{\circ}C$	1.2	1.5	V
V_{OLV}	Quiet Output Minimum Dynamic V_{OL}	$V_{CC} = 5.0V, T = 25^{\circ}C$	-0.3	-1.2	V
V_{IHD}	Maximum High Level Dynamic Input Voltage	$V_{CC} = 5.0V, T = 25^{\circ}C, f = 1 \text{ MHz}$	1.9	2.2	V
V_{ILD}	Maximum Low Level Dynamic Input Voltage	$V_{CC} = 5.0V, T = 25^{\circ}C, F = 1 \text{ MHz}$	1	0.8	V
t_{WGB}	Width of Ground Bounce Peak Measured at +0.8V	$V_{CC} = 5.0V, T = 25^{\circ}C$		3.0	ns

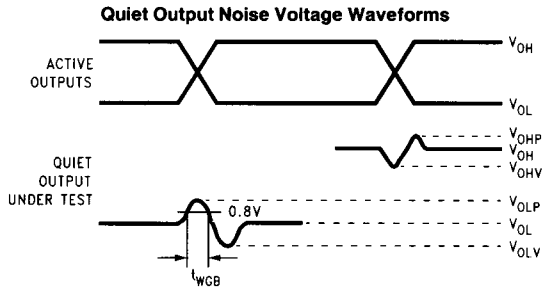
Note 1: AC test load is used with $R_1 = R_2 = 500\Omega$, S1 open. Quiet Electrical Characteristics are measured with seven outputs switching from HIGH to LOW, with the remaining output LOW. V_{OLP} and V_{OLV} are measured at the non-switching output. Input-under-test switching is 3V to threshold for V_{ILD} and 0V to threshold for V_{IHD} . Quiet Electrical Parameters are not directly 100% tested, but are characterized and guaranteed by design.

AC Test Load



TL/L/11917-2

Test Waveforms

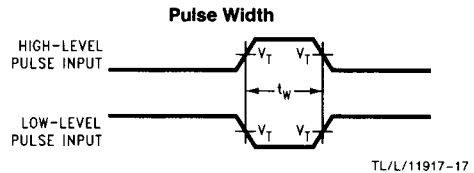
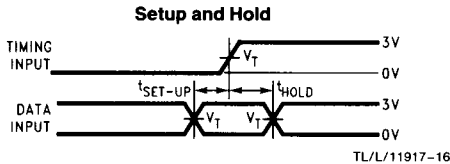


TL/L/11917-15

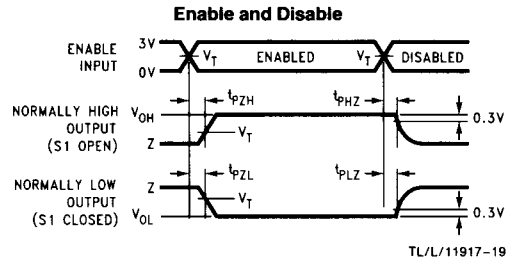
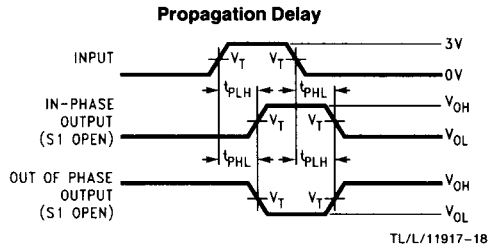
Note A. V_{OHV} and V_{OLP} are measured with respect to ground reference.

Note B. Input pulses have the following characteristics: $f = 1 \text{ MHz}$, $t_r = 3 \text{ ns}$, $t_f = 3 \text{ ns}$, skew $< 150 \text{ ps}$.

Note C. Test load for Quiet output: $C_L = 50 \text{ pF}$, $R_L = 500\Omega$



Test Waveforms (Continued)



Notes:

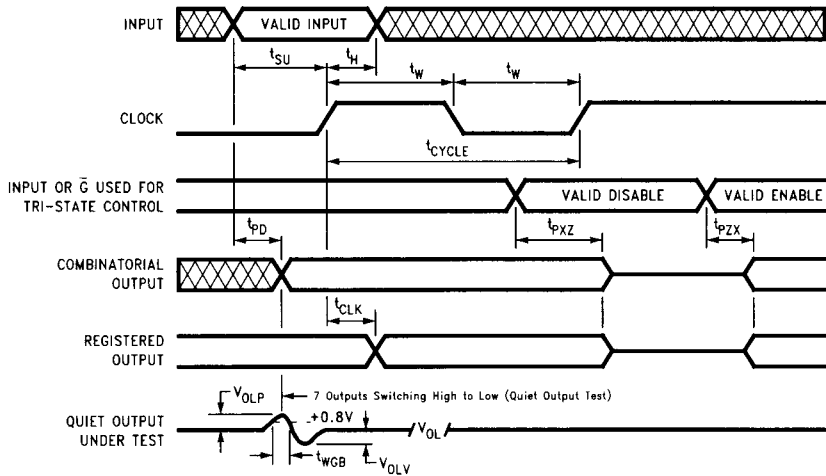
C_L includes probe and jig capacitance.

$V_T = 1.5V$.

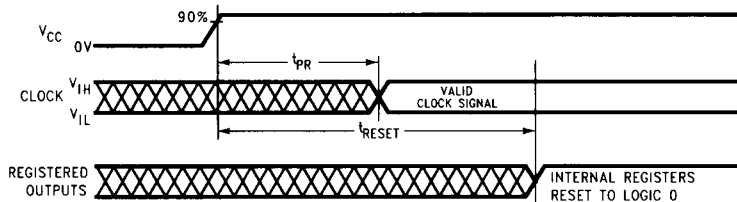
Test inputs have rise and fall times of 3 ns between 0.3V and 2.7V.

In the example above, the phase relationships between inputs and outputs have been chosen arbitrarily.

Switching Waveforms



Power-Up Reset Waveforms



Functional Description

The GAL logic array consists of a programmable AND array with fixed OR-gate connections, similar to the bipolar PAL architecture. The logic array is organized as 20 complementary input lines crossing 64 "product term" lines with a programmable EEPROM cell at each intersection (2560 cells). Each programmable cell may establish a connection between an input line (true or complement phase of an array input signal) and a product term. A product term is satisfied (logically true) while all of the input lines "connected" to it are in the high logic state.

The 64 product terms are organized into eight output groups with eight terms each. Seven or eight of the product terms in each output group feed into an OR-gate to produce each output logic function; one of the product terms may instead be used to control the associated TRI-STATE device output. The fundamental transfer function of each GAL output is the familiar Boolean sum-of-products. Design development software is available which accepts Boolean equations and converts them automatically into GAL programming patterns.

As shown in the GAL20V8QS Block Diagram (Figure 1), a total of eight output logic functions are available. Each of the AND/OR logic functions feeds into an "output logic macrocell" (OLMC). The eight OLMCs control the flow of input and output signals between the logic array and the device's I/O pins.

Under control of an OLMC, each output may be designated either registered or combinatorial (non-registered). In the registered output configuration, the logic function output passes through a D-type flip-flop triggered by the rising edge of the clock input. Additionally, the logic function's output polarity may be designated active-low or active-high (adjusted before the register, if present). OLMC options such as these are selected using a set of programmable architecture control cells. These architecture cells are normally configured automatically by the development software or programming hardware.

All of the possible I/O configurations of the GAL20V8QS are classified into three basic modes: "Small-PAL" mode, "Registered-PAL" mode and "Medium-PAL" mode. These modes correspond to the architectures of the PAL families which the GAL20V8QS can emulate. The modes determine the mixture of OLMC configurations which can be selected for the device. The OLMC Selection table (Table I) lists which functions can be selected on device pins* 1, 13 and 15 through 22 for each of the three modes. The logic diagram in Figure 3 illustrate these OLMC functions.

"OUTPUT" represents the always-active combinatorial output configuration available in the "Small-PAL" mode. "REGISTER" is the registered output with register feedback available in the "Registered-PAL" mode. "I/O" is the combinatorial bidirectional I/O available in "Registered-PAL" and "Medium-PAL" modes. "TRI-STATE" is the TRI-STATE combinatorial output function appearing on pins* 15 and 22 in the "Medium-PAL" mode. "INPUT" in Table I denotes an OLMC used as a dedicated input only.

In the "Small-PAL" and "Medium-PAL" modes (Table I), pins* 1 and 13 are always dedicated inputs. In the "Registered-PAL" mode, however, pin* 1 becomes the clock input controlling all OLMC registers, and pin* 13 becomes the output enable (\bar{G}) input controlling the TRI-STATE outputs of all registered OLMCs. Within the "Small-PAL" and "Reg-

istered-PAL" modes in Table I, the functions of pins* 15 through 22 can be selected individually from either of the two functions listed. For example, in "Registered-PAL" mode, pins* 15 through 22 can each be designated as either a registered output or a combinatorial I/O. The "Medium-PAL" mode represents a single fixed configuration used to emulate combinatorial medium PAL devices (20L8, 20H8, 20P8).

Table II lists the bipolar PAL products which the GAL20V8QS can emulate, and the specific input/output configurations used. This is just a subset, however, of all the configurations provided in Table I.

All registers in a GAL device are reset to the low state upon power-up. The active-low outputs, in turn, assume high logic levels (if enabled) regardless of the selected output polarity.

This may simplify sequential circuit design and test. To ensure successful power-up reset, V_{CC} must rise monotonically until the specified operating voltage is attained. During power-up, the clock input should assume a valid, stable logic state as early as possible (within the specified time, t_{PR}) to avoid interfering with the reset operation. The clock input should also remain stable until after the power-up reset operation is completed to allow the registers to capture the proper next state on the first high-going clock transition.

It should be noted that the switching of any input not logically connected to a product term or logic function has no effect on the associated output logic state. To minimize power consumption, however, unused inputs should be connected to a stable logic level such as ground or V_{CC} (CMOS GAL inputs may be tied directly to the supply voltage without causing excessive loading conditions).

*Applies to 24-pin DIP and SOIC packages for GAL20V8QS; refer to the 28-lead PLCC Connection Diagram for conversion.

Quiet Series

As system frequencies increase, so do concerns over both device generated and system generated noise. Proper printed circuit board layout and construction techniques should be followed by the designer to minimize system generated noise, additionally however, IC manufacturers should bear the responsibility to minimize device generated noise. One of the biggest sources of device generated noise is ground bounce. Ground bounce not only manifests itself on the ground pin, but more importantly on quiet outputs, input thresholds, and other internal circuitry. Noise on quiet outputs can cause the false triggering of external devices, while a shift in the device's internal ground can cause false triggering and even instability in the device itself. Often these problems are attributed to a damaged or faulty PLD when, in fact, the PLD has marginally lower noise immunity than other seemingly identical devices.

The magnitude of ground bounce has a direct correlation to output edge rates. Therefore, National's Quiet Series devices have slower more "gentle" edges. National uses an advanced 0.8μ back-biased EECMOS process to decrease propagation times in order to accommodate the slower edge rates. The result is a very robust, high speed PLD. Since National offers Quiet Series devices at comparable pricing to non-Quiet Series devices, **Quiet Series devices are recommended for new designs.**

GAL20V8QS Block Diagram/DIP and SOIC Connections

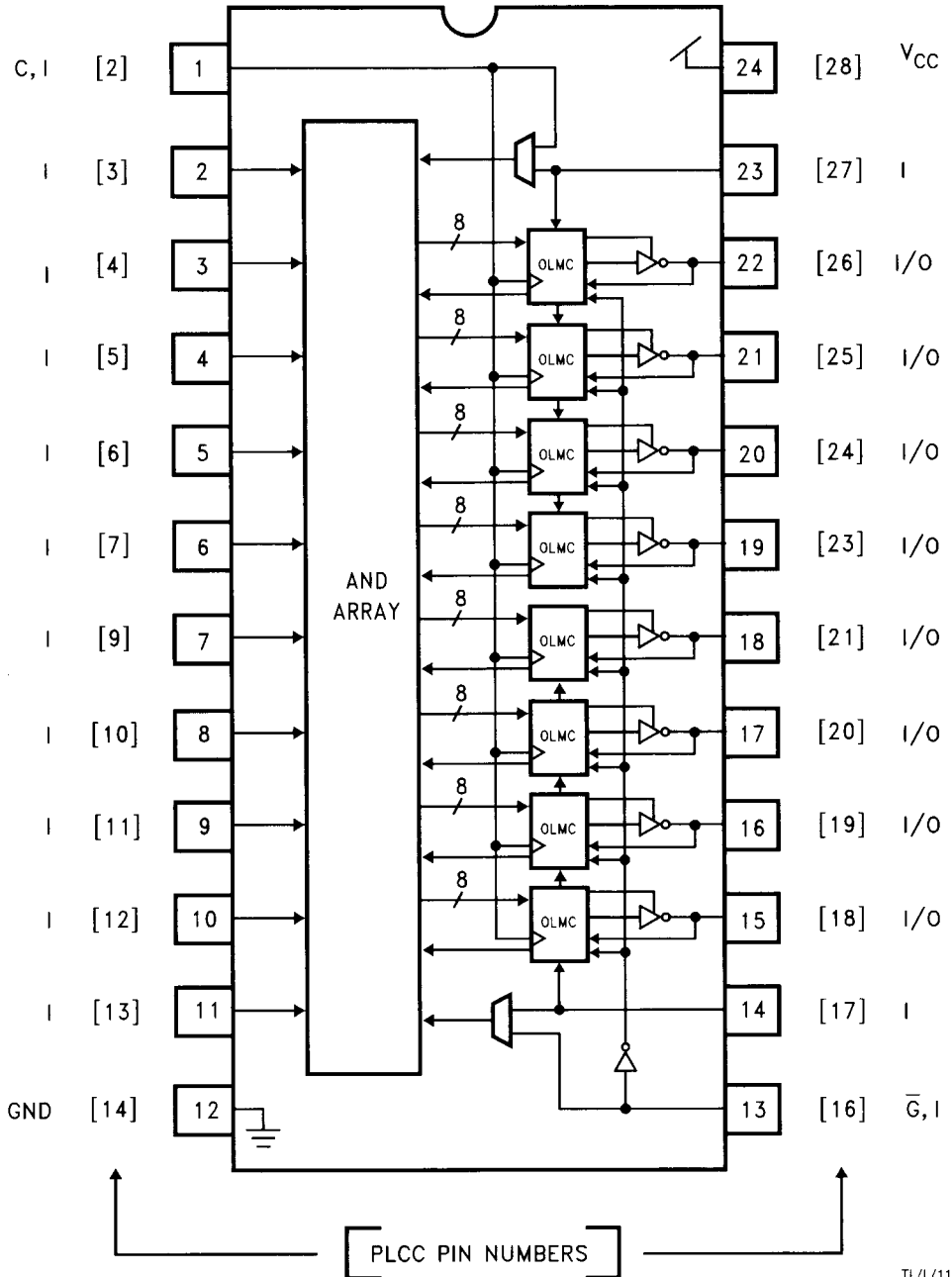


FIGURE 1

TL/L/11917-11

GAL20V8QS PLCC Connections

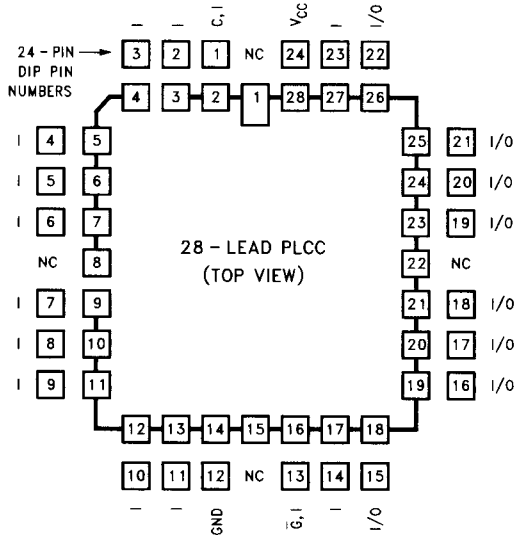


FIGURE 2

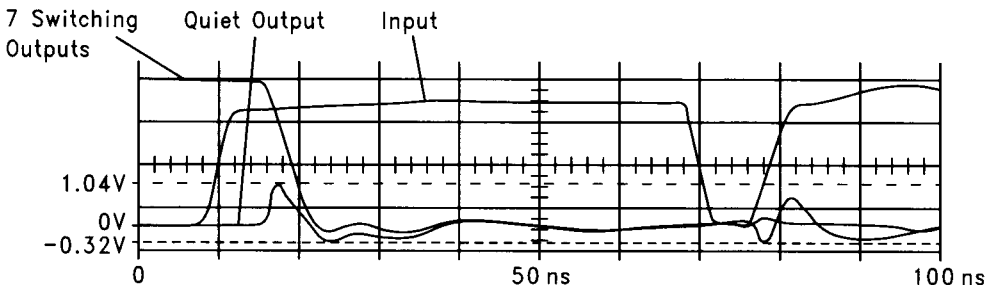
TL/L/11917-12

Quiet Series Testing

Quiet Series testing is performed with seven outputs switching. The remaining output, referred to as the "quiet output", maintains a low logic level. V_{OLP} and V_{OLV} measure the peak and valley, respectively, of the "bounce" on this quiet output (referenced to ground) as the seven outputs swing from high to low. Notice V_{OLP} and V_{OLV} do not directly measure the ground itself (which is stabilized through the use of proper PCB design techniques), but more importantly quantify how ground bounce affects a non-switching output. Noise on the quiet output will be propagated to the inputs of subsequent devices and can falsely trigger these devices. False triggering occurs when the magnitude of a signal exceeds the input thresholds of these devices for a sufficient duration. Therefore, the width of the bounce, t_{WGB} , is also

measured. Based on extensive empirical analysis, the values for V_{OLP} and t_{WGB} have been found to be below the triggering requirements of common types of logic devices.

Just as ground bounce affects external circuitry, it also affects the internal silicon circuitry of the PLD. Usually the effect of ground bounce on device input thresholds is most significant. V_{IHD} and V_{ILD} measure the effect of a change in the ground potential on the input thresholds of the PLD. V_{IHD} and V_{ILD} are measured with seven outputs switching at 1 MHz while the input voltage at one input is gradually changed until the device shows signs of triggering. Note that the outputs may only exhibit small differences that show they are being affected by the input under test. The test is repeated on all inputs.

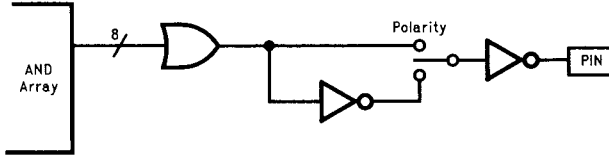


TL/L/11917-4

Typical Quiet Electrical Measurements
Seven Outputs Switching into AC Test Load
 $V_{CC} = 5.0V, T = 25^{\circ}C$

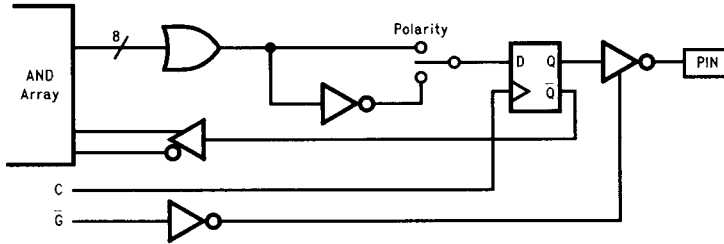
OLMC Configurations

OUTPUT (Active Combinatorial Output)



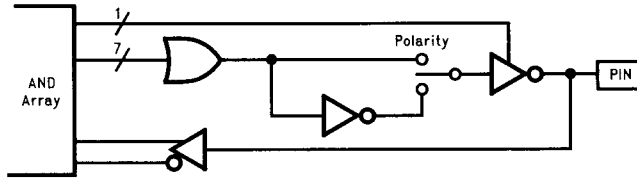
TL/L/11917-6

REGISTER (Registered Output)



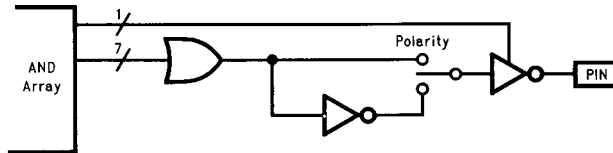
TL/L/11917-7

I/O (Combinatorial Input/Output)



TL/L/11917-8

TRI-STATE (TRI-STATE Combinatorial Output)



TL/L/11917-9

FIGURE 3

Clock/Input Frequency Specifications

The clock frequency (f_{\max}) parameter listed in the Recommended Operating Conditions table specifies the maximum speed at which the GAL registers are guaranteed to operate. Clock frequency is defined differently for the two cases in which register feedback is used versus when it is not. In a data-path type application, when the logic functions fed into the registers are not dependent on register feedback from the previous cycle (i.e., based only on external inputs), the minimum required cycle period (f_{\max}^{-1} without feedback) is defined as the greater of the minimum clock period (t_w high + t_w low) and the minimum "data window" period ($t_{SU} + t_H$). This assumes optimal alignment between data inputs and the clock input. In sequential logic applications such as state machines, the minimum required cycle period ($t_{CYCLE} = f_{\max}^{-1}$ with feedback) is defined as $t_{CLK} + t_{SU}$. This provides sufficient time for outputs from the registers to feed back through the logic array and set up on the inputs to the registers before the end of each cycle.

The input frequency (f_1) parameter specifies the maximum rate at which each GAL input can be toggled and still produce valid logic transitions on each combinatorial output. The f_1 specification is derived as the inverse of the combinatorial propagation delay (t_{PD}).

Security Cell

A security cell is provided on all GAL20V8QS devices as a deterrent to unauthorized copying of the array configuration patterns. Once programmed, the circuitry enabling array access is disabled, preventing further programming or verification of the array. The security cell can be erased only in conjunction with the array during a bulk erase cycle, so the original configuration can never be examined once this cell is programmed.

Electronic Signature

Each GAL20V8QS device contains a User Electronic Signature (UES) word consisting of 64 bits of reprogrammable memory. The electronic signature word can be programmed to contain any identification information desired by the user. Some uses include pattern identification labels, revision numbers, dates, inventory control information, etc. The data stored in the electronic signature word has no effect on the functionality of the device. The information is read out of the device using the normal program verification procedure provided by the programming equipment. The information may be accessed at any time independent of the state of the security cell. National's OPAL and OPALjr development softwares allow electronic signature data to be entered by the user and downloaded to the programming equipment.

Bulk Erase

The programming equipment automatically performs a bulk erase operation prior to each programming operation. No special erase operation need be performed by the user. Bulk erase clears the logic array, architecture cells, security cell, and electronic signature information. The GAL device is thereby reverted back to its virgin state.

Manufacturer Testing

Because of EECMOS technology, GAL devices can be reprogrammed in milliseconds. This allows each device to be completely tested by the manufacturer using numerous logic array and architecture patterns prior to shipping. Every programmable cell and every logic path through every device is fully tested for programmability, functionality and performance to all AC and DC parameters. The customer can therefore expect 100% programming and functional yield and 100% compliance of all GAL products to datasheet specifications.

Development Support

National's GAL20V8QS family is supported by popular industry-standard PLD development software and device programmers. In addition, GAL20V8QS devices are supported by National's OPAL and OPAL jr PLD development software packages. OPAL and OPAL jr also contain a PAL to GAL conversion utility for converting designs from PAL devices to GAL devices. OPAL jr is distributed free of charge and can be obtained through your local National Semiconductor sales representative or by downloading it from National's PLD Applications and Support Bulletin Board at (408) 721-7418, (8-n-1), 2400-19200 bps.

National strongly recommends using only approved programming hardware and software for developing GAL designs. Programming using unapproved equipment generally voids all guarantees. Approved programmers incorporate specialized programming algorithms that program the array and automatically configure the architecture cells.

OLMC Configuration Details

Understanding the information in this section is not essential when using approved programming equipment and software for developing GAL designs. This is a more thorough disclosure of the GAL architecture provided for direct JEDEC cell-map editing and diagnostic purposes. This section alone, however, does not contain sufficient information to implement the GAL programming algorithm. If detailed specifications of the GAL programming algorithm are needed, please contact the National Semiconductor Programmable Products Applications and Support Department.

OLMC Configuration Details (Continued)

As mentioned in the Functional Description, the OLMC is responsible for selecting input and/or output paths, registered vs. combinatorial outputs, active-high or low polarity, and common vs. locally-controlled TRI-STATE control. Additionally, the OLMCs select between alternate logic array input paths to maintain JEDEC cell-map compatibility with either "small-PAL" or "medium-PAL" logic arrays.

The various configurations of the OLMCs are controlled by a set of programmable "architecture" cells, separate from the logic-defining array cells. Each GAL device contains two "global" architecture cells, "SYN" and "AC0", which affect all OLMCs. Each of the device's eight OLMCs also contains two "local" cells, "AC1" and "XOR". The OLMC Logic Diagram in Figure 4 shows how the architecture cells select the different paths through the OLMC.

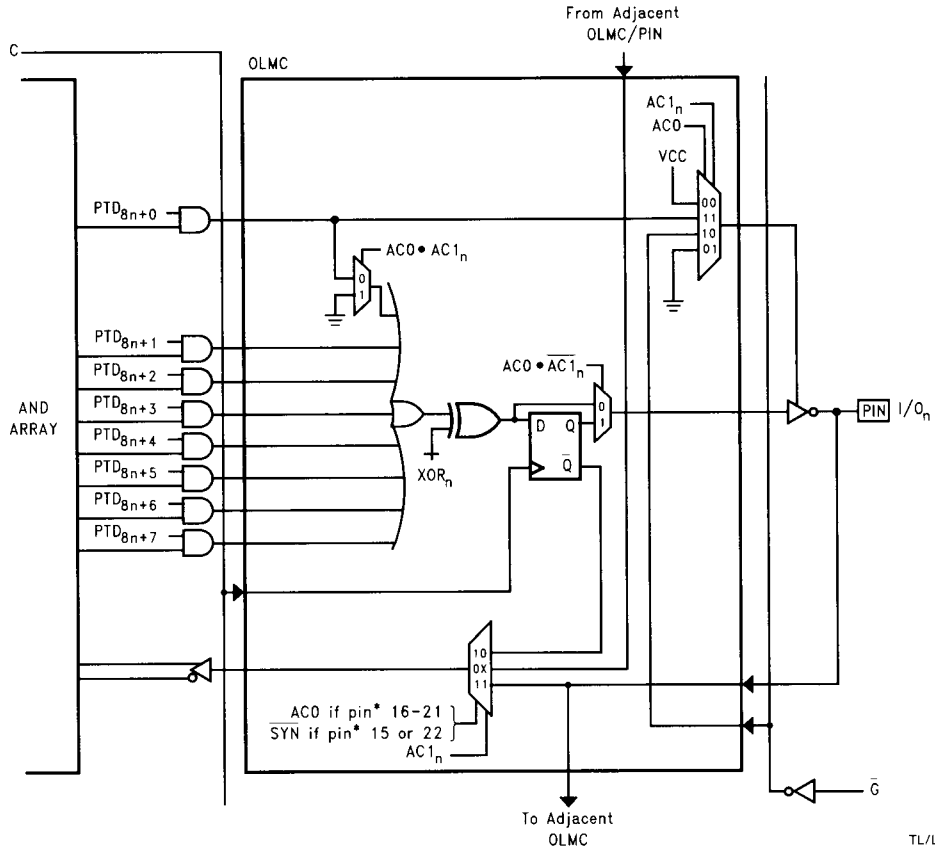
The SYN bit controls whether a device will have any registered outputs (SYN = 0) or will be purely combinatorial (SYN = 1). The SYN bit determines whether device pins* 1 and 13 are used as the clock and global TRI-STATE control

inputs (SYN = 0) or whether they are ordinary inputs (SYN = 1). The AC0 bit selects between the "Small-PAL" mode and the "Medium/Registered-PAL" modes. The function of the AC1 bits depend on the state of the AC0 bit. In "Small-PAL" mode (AC0 = 0), the AC1 bit in each OLMC determines whether the associated device pin is an output (AC1 = 0) or an input (AC1 = 1). In "Registered-PAL" mode (AC0 = 1), the AC1 bit determines whether each OLMC is registered (AC1 = 0) or combinatorial (AC1 = 1). In "Medium-PAL" mode (AC0 = 1), the AC1 bits in all OLMCs must be set to 1 (combinatorial). All of the valid architecture bit configurations are shown in the OLMC Architecture table (Table I).

Independent of SYN, AC0 and the AC1 bits, the XOR bit in each OLMC selects between active-low (XOR = 0) or active-high (XOR = 1) output polarity.

*Applies to 24-pin DIP and SOIC packages for GAL20V8QS; refer to the 28-lead PLCC Connection Diagram for conversion.

OLMC Logic Diagram

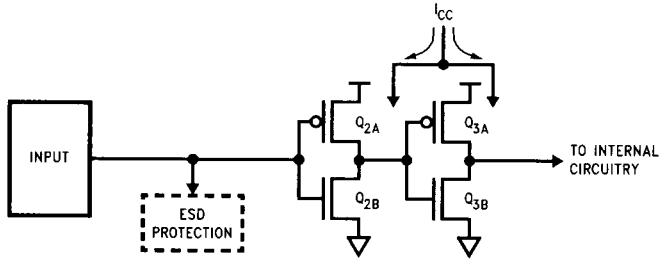


*Applies to 24-pin DIP and SOIC packages for GAL20V8QS; refer to the 28-lead PLCC connection diagram for conversion.

FIGURE 4

TL/L/11917-5

Input Schematic



TL/L/11917-10

TABLE I. OLMC Architecture Configuration

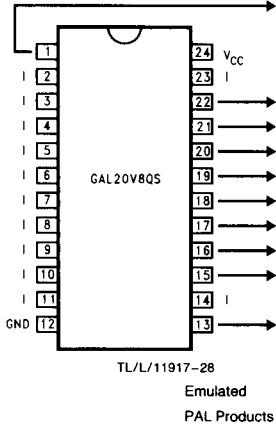
Pin Number	"Small PAL" Mode		"Registered PAL" Mode		"Medium PAL" Mode
	Function		Function		Function
1	INPUT	INPUT	CLOCK	CLOCK	INPUT
22***	I/O	INPUT	REGISTER	I/O	TRI-STATE**
21***	I/O	INPUT	REGISTER	I/O	I/O
20***	I/O	INPUT	REGISTER	I/O	I/O
19***	OUTPUT*	NC	REGISTER	I/O	I/O
18***	OUTPUT*	NC	REGISTER	I/O	I/O
17***	I/O	INPUT	REGISTER	I/O	I/O
16***	I/O	INPUT	REGISTER	I/O	I/O
15***	I/O	INPUT	REGISTER	I/O	TRI-STATE**
13	INPUT	INPUT	\bar{G}	\bar{G}	INPUT
Architecture Bits Configuration	$AC1_n = 0$		$AC1_n = 0$	$AC1_n = 1$	$AC1_n = 1$
	SYN = 1, AC0 = 0		SYN = 0, AC0 = 1		SYN = 1, AC0 = 0
	All outputs are combinatorial and always active		At least one output is registered		All I/O pins are combinatorial

Note: Pin numbers above apply to both 24-pin DIP and SOIC packages; refer to the 28-lead PLCC Connection Diagram for conversion.

- * Active combinatorial output
- ** TRI-STATE combinatorial output
- *** $AC1_n$ applies to these I/O pins only

PAL Replacement Configurations

TABLE II



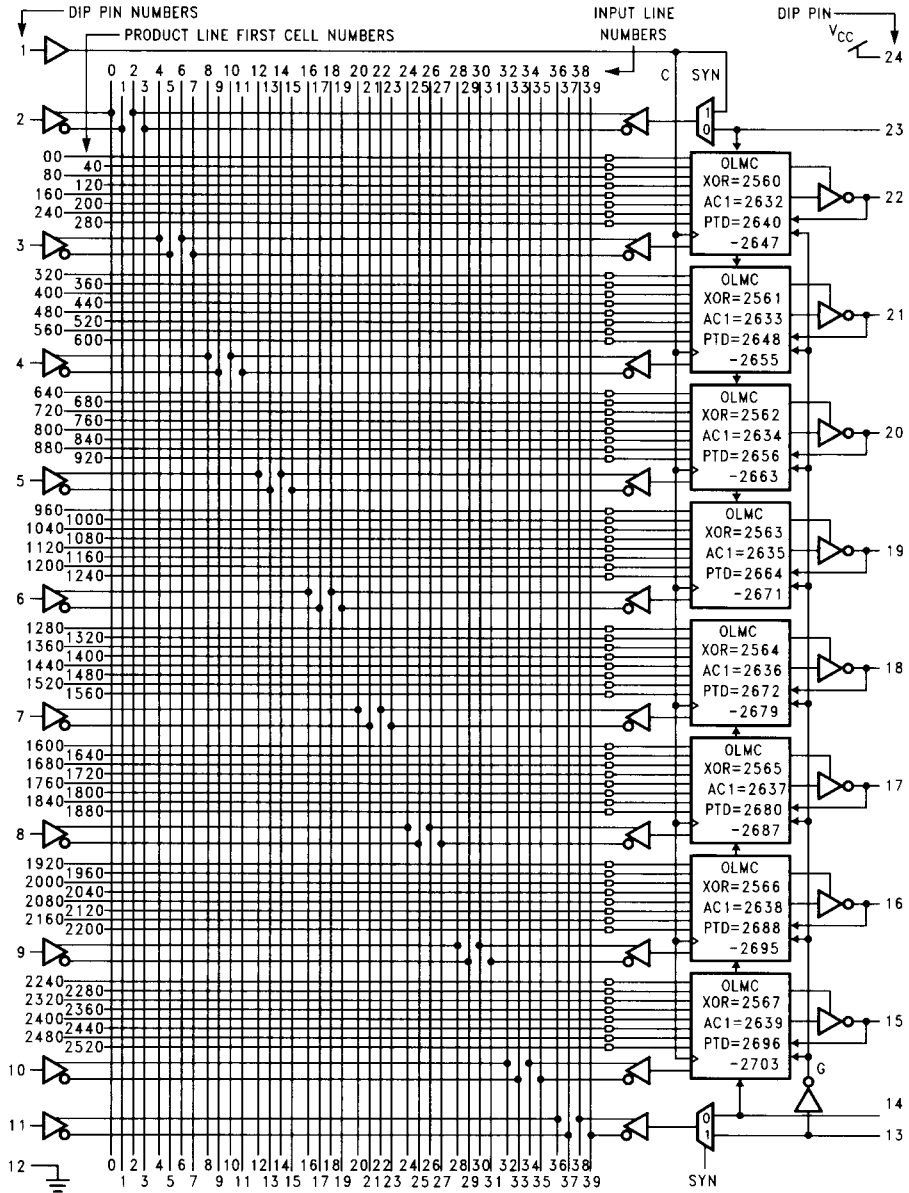
"Small-PAL" Mode				"Registered-PAL" Mode			"Medium-PAL" Mode
INPUT	INPUT	INPUT	INPUT	CLOCK	CLOCK	CLOCK	INPUT
OUTPUT*	INPUT	INPUT	INPUT	REGISTER	I/O	I/O	TRI-STATE**
OUTPUT*	OUTPUT*	INPUT	INPUT	REGISTER	REGISTER	I/O	I/O
OUTPUT*	OUTPUT*	OUTPUT*	INPUT	REGISTER	REGISTER	REGISTER	I/O
OUTPUT*	OUTPUT*	OUTPUT*	OUTPUT*	REGISTER	REGISTER	REGISTER	I/O
OUTPUT*	OUTPUT*	OUTPUT*	OUTPUT*	REGISTER	REGISTER	REGISTER	I/O
OUTPUT*	OUTPUT*	OUTPUT*	INPUT	REGISTER	REGISTER	REGISTER	I/O
OUTPUT*	OUTPUT*	INPUT	INPUT	REGISTER	REGISTER	I/O	I/O
OUTPUT*	INPUT	INPUT	INPUT	REGISTER	I/O	I/O	TRI-STATE**
INPUT	INPUT	INPUT	INPUT	\bar{C}	\bar{C}	\bar{C}	INPUT
14L8	16L6	18L4	20L2	20R8	20R6	20R4	20L8
14H8	16H6	18H4	20H2	20RP8	20RP6	20RP4	20H8
14P8	16P6	18P4	20P2				20P8

*Active combinatorial output.

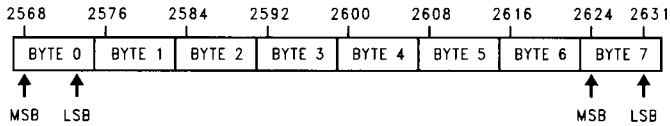
**TRI-STATE combinatorial output.

Note: Pin numbers above apply to 24-pin DIP and SOIC packages; refer to the 28-pin PLCC Connection Diagram for conversion.

GAL20V8QS Logic Diagram



USER ELECTRONIC SIGNATURE WORD:

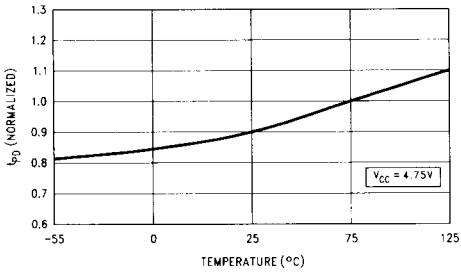


SYN=2704
AC0=2705

TL/L/11917-14

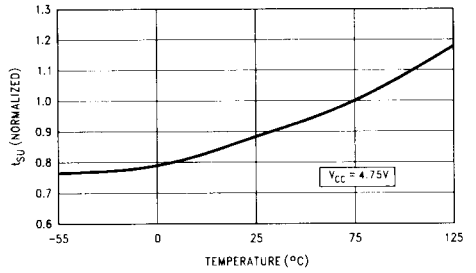
Typical Performance Characteristics

t_{PD} vs Temperature



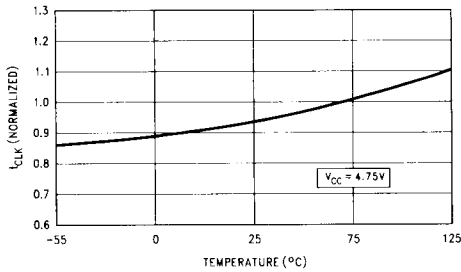
TL/L/11917-13

t_{SU} vs Temperature



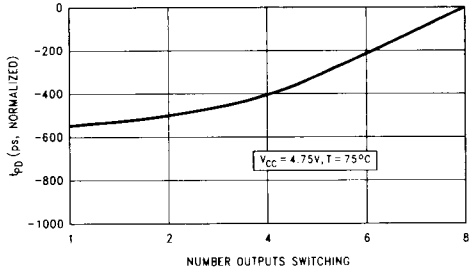
TL/L/11917-21

t_{CLK} vs Temperature



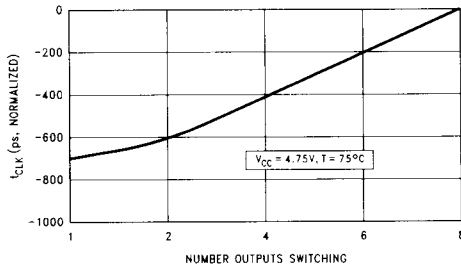
TL/L/11917-22

t_{PD} vs Number of Outputs Switching



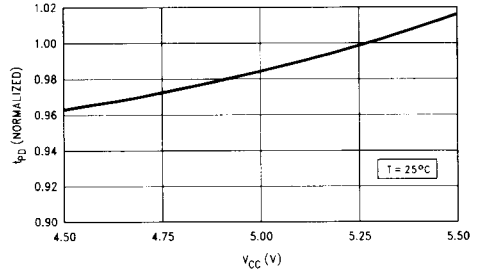
TL/L/11917-23

t_{CLK} vs Number of Outputs Switching



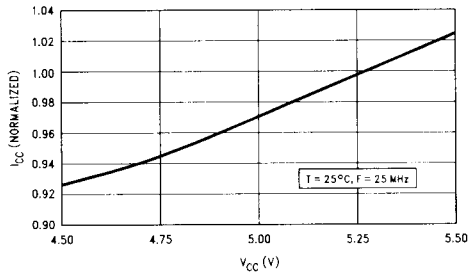
TL/L/11917-24

t_{PD} vs V_{CC}



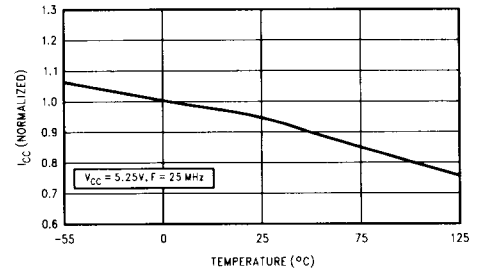
TL/L/11917-25

I_{CC} vs V_{CC}



TL/L/11917-26

I_{CC} vs Temperature



TL/L/11917-27

Ordering Information†

Commercial Devices

t_{PD} (ns)	t_{SU} (ns)	t_{CLK} (ns)	I_{CC} (mA)	QS	Part Number	Package
10	5	7.5	115	Y	GAL20V8QS-10LNC	PDIP
10	5	7.5	115	Y	GAL20V8QS-10LVC	PLCC
10	5	7.5	115	Y	GAL20V8QS-10LMC	SOIC
15	7	9	90	Y	GAL20V8QS-15LNC	PDIP
15	7	9	90	Y	GAL20V8QS-15LVC	PLCC
15	7	9	90	Y	GAL20V8QS-15LMC	SOIC

Industrial Devices

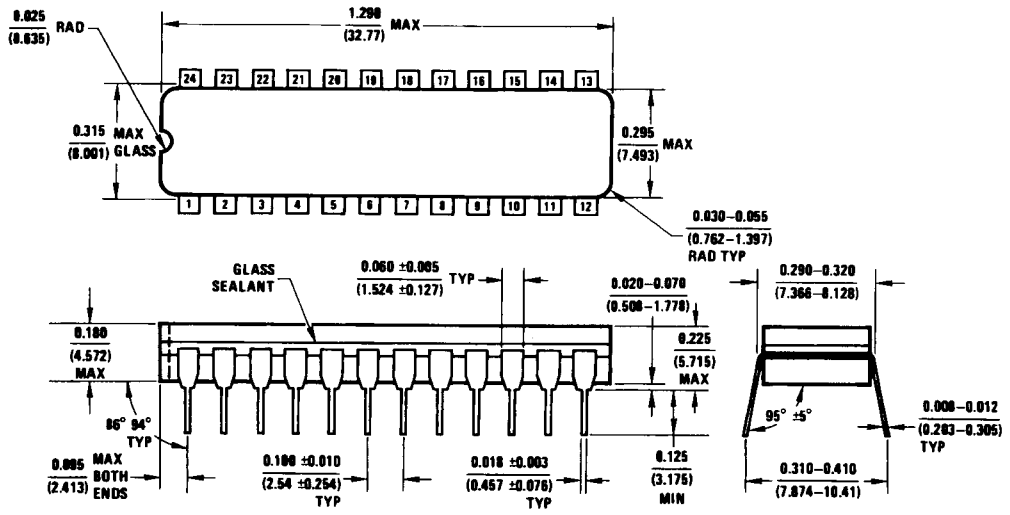
t_{PD} (ns)	t_{SU} (ns)	t_{CLK} (ns)	I_{CC} (mA)	QS	Part Number	Package
10	5	7.5	130	Y	GAL20V8QS-10LNI	PDIP
10	5	7.5	130	Y	GAL20V8QS-10LVI	PLCC
10	5	7.5	130	Y	GAL20V8QS-10LMI	SOIC
15	7	9	130	Y	GAL20V8QS-15LNI	PDIP
15	7	9	130	Y	GAL20V8QS-15LVI	PLCC
15	7	9	130	Y	GAL20V8QS-15LMI	SOIC

Military Devices

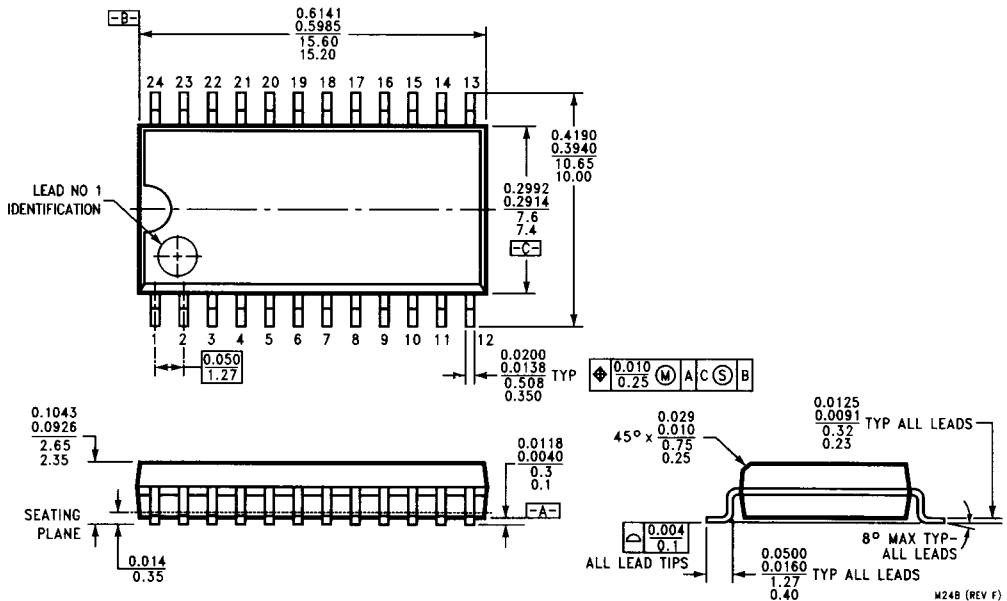
Contact your local National Semiconductor sales representative for availability of military grade GAL20V8QS devices.

†Quiet Series devices (GAL20V8QS) recommended for new designs. Refer to 1993 Programmable Logic Devices Databook and Design Guide (Lit # 400081) for quarter power GAL20V8A specifications.

Physical Dimensions inches (millimeters)

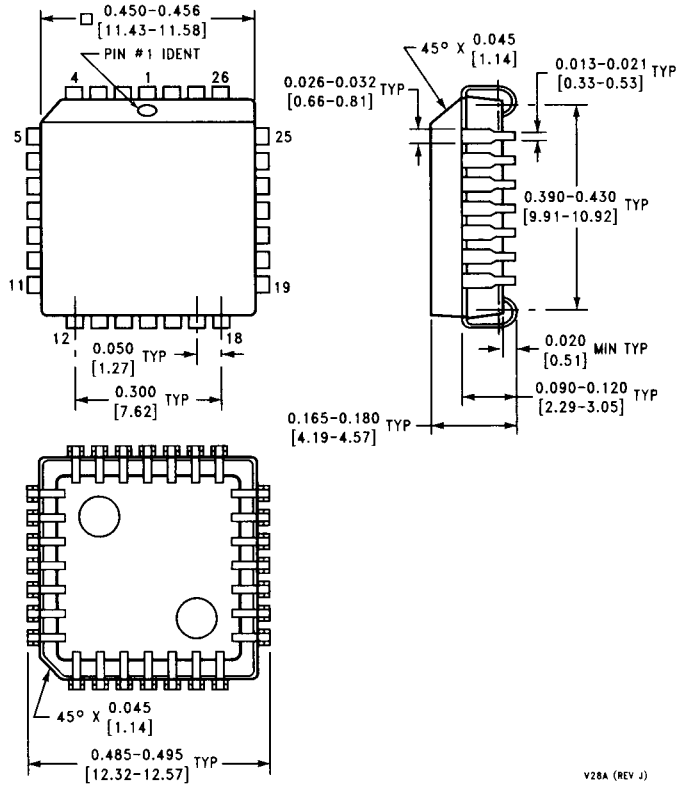


24-Lead (0.300" Wide) Ceramic Dual-In-Line Package
NS Package Number J24F



24-Lead (0.300" Wide) Molded Small Outline Package, JEDEC
NS Package Number M24B

Physical Dimensions inches (millimeters) (Continued)



V28A (REV J)

**28-Lead Molded Plastic Leaded Chip Carrier
NS Package Number V28A**

LIFE SUPPORT POLICY

NATIONAL'S PRODUCTS ARE NOT AUTHORIZED FOR USE AS CRITICAL COMPONENTS IN LIFE SUPPORT DEVICES OR SYSTEMS WITHOUT THE EXPRESS WRITTEN APPROVAL OF THE PRESIDENT OF NATIONAL SEMICONDUCTOR CORPORATION. As used herein:

1. Life support devices or systems are devices or systems which, (a) are intended for surgical implant into the body, or (b) support or sustain life, and whose failure to perform, when properly used in accordance with instructions for use provided in the labeling, can be reasonably expected to result in a significant injury to the user.
2. A critical component is any component of a life support device or system whose failure to perform can be reasonably expected to cause the failure of the life support device or system, or to affect its safety or effectiveness.



National Semiconductor Corporation
2900 Semiconductor Drive
P.O. Box 58090
Santa Clara, CA 95052-0090
Tel: (800) 272-9959
TWX: (910) 339-9240

National Semiconductor GmbH
Industriestrasse 10
D-8080 Fürstentfeldbruck
Germany
Tel: (0-81-41) 103-0
Telex: 527649
Fax: (0-81-41) 10-35-06

National Semiconductor Japan Ltd.
Sanso Bldg. 5F
4-15-3 Nishi Shinjuku
Shinjuku-Ku,
Tokyo 160, Japan
Tel: 3-3299-7001
FAX: 3-3299-7000

National Semiconductor Hong Kong Ltd.
13th Floor, Straight Block
Ocean Centre, 5 Canton Rd.
Tsimshatsui, Kowloon
Hong Kong
Tel: (852) 737-1800
Telex: 51292 NSHKL
Fax: (852) 736-9960

National Semiconductores Do Brazil Ltda.
Av. Bng. Fana Lima, 1409
6 Andar
Cep-01451, Paulistano,
Sao Paulo, SP, Brazil
Tel: (55-11) 212-5066
Telex: 911-1131931 NSBR BR
Fax: (55-11) 212-1181

National Semiconductor (Australia) Pty. Ltd.
16 Business Park Dr.
Notting Hill, VIC 3168
Australia
Tel: (3) 558-9999
Fax: (3) 558-9998