

### **Rochester Electronics Manufactured Components**

Rochester branded components are manufactured using either die/wafers purchased from the original suppliers or Rochester wafers recreated from the original IP. All recreations are done with the approval of the OCM.

Parts are tested using original factory test programs or Rochester developed test solutions to guarantee product meets or exceed the OCM data sheet.

### **Quality Overview**

- ISO-9001
- AS9120 certification
- Qualified Manufacturers List (QML) MIL-PRF-35835
  - Class Q Military
  - Class V Space Level
- Qualified Suppliers List of Distributors (QSLD)
  - Rochester is a critical supplier to DLA and meets all industry and DLA standards.

Rochester Electronics, LLC is committed to supplying products that satisfy customer expectations for quality and are equal to those originally supplied by industry manufacturers.

---

The original manufacturer's datasheet accompanying this document reflects the performance and specifications of the Rochester manufactured version of this device. Rochester Electronics guarantees the performance of its semiconductor products to the original OEM specifications. 'Typical' values are for reference purposes only. Certain minimum or maximum ratings may be based on product characterization, design, simulation, or sample testing.

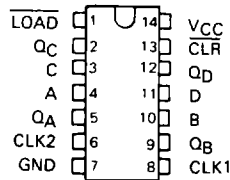
**SN54176, SN54177, SN74176, SN74177**  
**35-MHz PRESETTABLE DECADE AND**  
**BINARY COUNTERS/LATCHES**

MAY 1971 - REVISED MARCH 1988

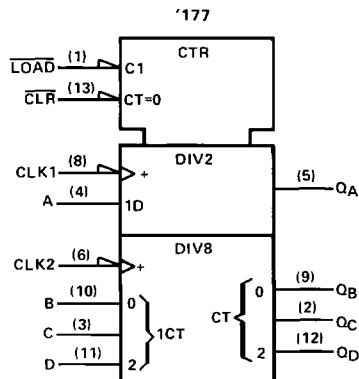
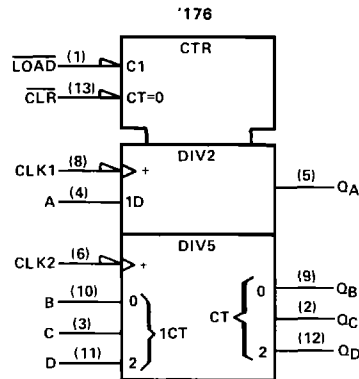
- Reduced-Power Versions of SN54196, SN54197, SN74196, and SN74197 50-MHz Counters
- D-C Coupled Counters Designed to Replace Signetics 8280, 8281, 8290, and 8291 Counters in Most Applications
- Performs BCD, Bi-Quinary, or Binary Counting
- Fully Programmable
- Fully Independent Clear Input
- Counts at Input Frequencies from 0 to 35 MHz
- Input Clamping Diodes Simplify System Design

SN54176, SN54177 . . . J PACKAGE  
 SN74176, SN74177 . . . N PACKAGE

(TOP VIEW)



logic symbols†



† These symbols are in accordance with ANSI/IEEE Std 91-1984 and IEC Publication 617-12.

**description**

These high-speed monolithic counters consist of four d-c coupled master-slave flip-flops which are internally interconnected to provide either a divide-by-two and a divide-by-five counter (SN54176, SN74176) or a divide-by-two and a divide-by-eight counter (SN54177, SN74177). These counters are fully programmable; that is, the outputs may be preset to any state by placing a low on the count/load input and entering the desired data at the data inputs. The outputs will change to agree with the data inputs independent of the state of the clocks.

These counters may also be used as 4-bit latches by using the count/load input as the strobe and entering data at the data inputs. The outputs will directly follow the data inputs when the count/load is low, but will remain unchanged when the count/load is high and the clock inputs are inactive.

These high-speed counters will accept count frequencies of 0 to 35 megahertz at the clock-1 input and 0 to 17.5 megahertz at the clock-2 input. During the count operation, transfer of information to the outputs occurs on the negative-going edge of the clock pulse. The counters feature a direct clear which when taken low sets all outputs low regardless of the states of the clocks.

All inputs are diode-clamped to minimize transmission-line effects and simplify system design. The circuits are compatible with most TTL logic families. Typical power dissipation is 150 milliwatts. The SN54176 and SN54177 circuits are characterized for operation over the full military temperature range of -55°C to 125°C; the SN74176 and SN74177 circuits are characterized for operation from 0°C to 70°C.

2

TTL Devices

PRODUCTION DATA documents contain information current as of publication date. Products conform to specifications per the terms of Texas Instruments standard warranty. Production processing does not necessarily include testing of all parameters.



POST OFFICE BOX 655012 • DALLAS, TEXAS 75265

# SN54176, SN54177, SN74176, SN74177 35-MHz PRESETTABLE DECADE AND BINARY COUNTERS/LATCHES

## typical count configurations

### SN54176 and SN74176

The output of flip-flop A is not internally connected to the succeeding flip-flops; therefore, the count may be operated in three independent modes:

1. When used as a binary-coded-decimal decade counter, the clock-2 input must be externally connected to the  $Q_A$  output. The clock-1 input receives the incoming count, and a count sequence is obtained in accordance with the BCD count sequence function table shown at right.
2. If a symmetrical divide-by-ten count is desired for frequency synthesizers (or other applications requiring division of a binary count by a power of ten), the  $Q_D$  output must be externally connected to the clock-1 input. The input count is then applied at the clock-2 input and a divide-by-ten square wave is obtained at output  $Q_A$  in accordance with the bi-quinary function table.
3. For operation as a divide-by-two counter and a divide-by-five counter, no external interconnections are required. Flip-flop A is used as a binary element for the divide-by-two function. The clock-2 input is used to obtain binary divide-by-five operation at the  $Q_B$ ,  $Q_C$ , and  $Q_D$  outputs. In this mode, the two counters operate independently; however, all four flip-flops are loaded and cleared simultaneously.

FUNCTION TABLES  
SN54176, SN74176

DECADE (BCD)  
(See Note A)

COUNT	OUTPUT			
	$Q_D$	$Q_C$	$Q_B$	$Q_A$
0	L	L	L	L
1	L	L	L	H
2	L	L	H	L
3	L	L	H	H
4	L	H	L	L
5	L	H	L	H
6	L	H	H	L
7	L	H	H	H
8	H	L	L	L
9	H	L	L	H

BI-QUINARY (5-2)  
(See Note B)

COUNT	OUTPUT			
	$Q_A$	$Q_D$	$Q_C$	$Q_B$
0	L	L	L	L
1	L	L	L	H
2	L	L	H	L
3	L	L	H	H
4	L	H	L	L
5	H	L	L	L
6	H	L	L	H
7	H	L	H	L
8	H	L	H	H
9	H	H	L	L

H = high level, L = low level

NOTES: A. Output  $Q_A$  connected to clock-2 input.  
B. Output  $Q_D$  connected to clock-1 input.

### SN54177 and SN74177

The output of flip-flop A is not internally connected to the succeeding flip-flops, therefore the counter may be operated in two independent modes:

1. When used as a high-speed 4-bit ripple-through counter, output  $Q_A$  must be externally connected to the clock-2 input. The input count pulses are applied to the clock-1 input. Simultaneous divisions by 2, 4, 8, and 16 are performed at the  $Q_A$ ,  $Q_B$ ,  $Q_C$ , and  $Q_D$  outputs as shown in the function table at right.
2. When used as a 3-bit ripple-through counter, the input count pulses are applied to the clock-2 input. Simultaneous frequency divisions by 2, 4, and 8 are available at the  $Q_B$ ,  $Q_C$ , and  $Q_D$  outputs. Independent use of flip-flop A is available if the load and clear functions coincide with those of the 3-bit ripple-through counter.

FUNCTION TABLE  
SN54177, SN74177  
(See Note A)

COUNT	OUTPUT			
	$Q_D$	$Q_C$	$Q_B$	$Q_A$
0	L	L	L	L
1	L	L	L	H
2	L	L	H	L
3	L	L	H	H
4	L	H	L	L
5	L	H	L	H
6	L	H	H	L
7	L	H	H	H
8	H	L	L	L
9	H	L	L	H
10	H	L	H	L
11	H	L	H	H
12	H	H	L	L
13	H	H	L	H
14	H	H	H	L
15	H	H	H	H

H = high level, L = low level

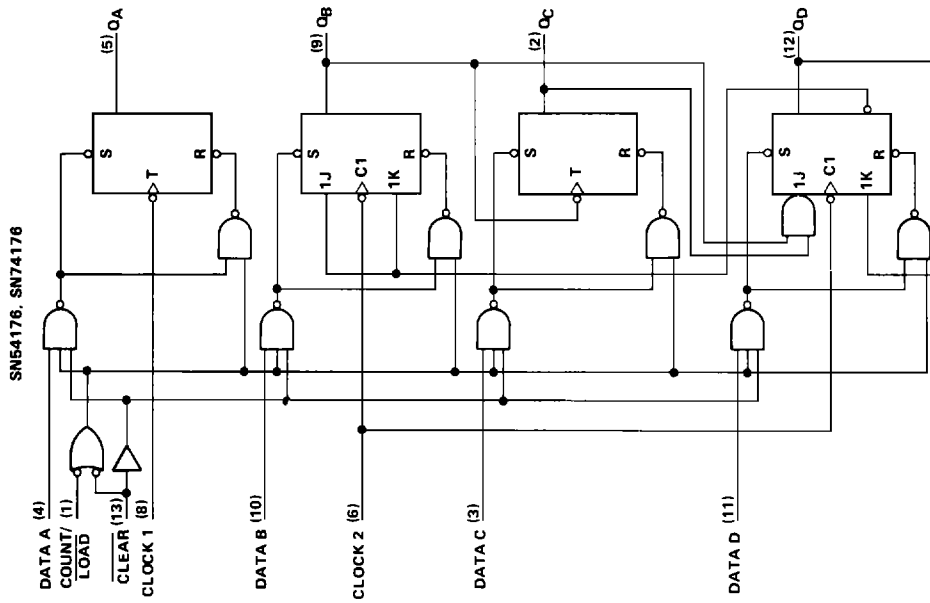
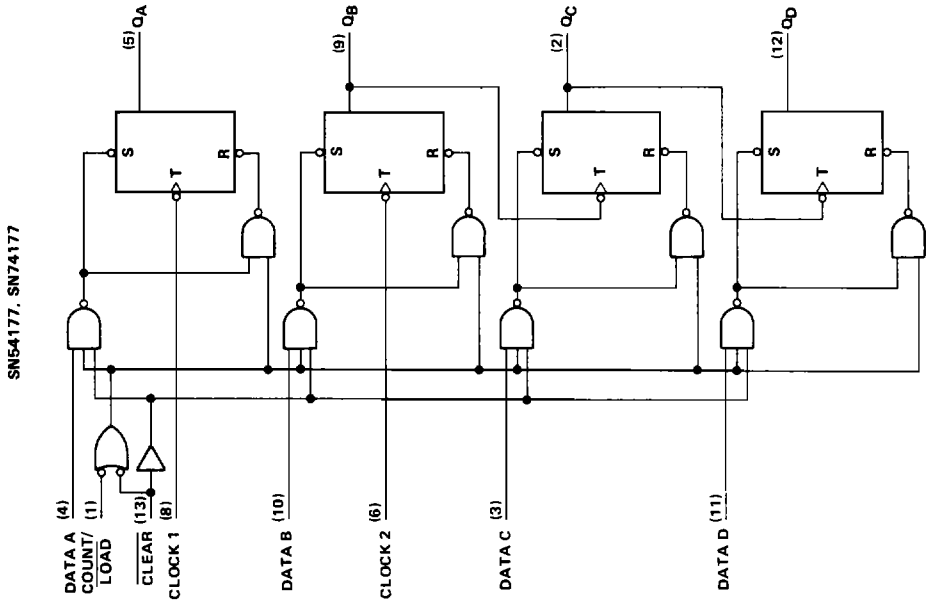
NOTE A: Output  $Q_A$  connected to clock-2 input.

2

TTL Devices

**SN54176, SN54177, SN74176, SN74177**  
**35-MHz PRESETTABLE DECADE AND**  
**BINARY COUNTERS/LATCHES**

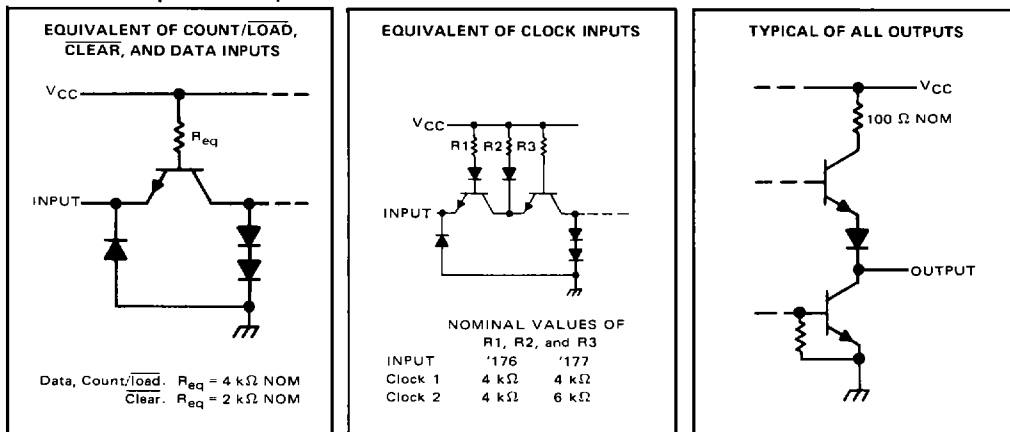
logic diagrams (positive logic)



# SN54176, SN54177, SN74176, SN74177

## 35-MHz PRESETTABLE DECADE AND BINARY COUNTERS/LATCHES

### schematics of inputs and outputs



2

TTL Devices

### absolute maximum ratings over operating free-air temperature range (unless otherwise noted)

Supply voltage, $V_{CC}$ (see Note 1)	7 V
Input voltage	5.5 V
Interemitter voltage (see Note 2)	5.5 V
Operating free-air temperature range: SN54176, SN54177 Circuits	-55°C to 125°C
SN74176, SN74177 Circuits	0°C to 70°C
Storage temperature range	-65°C to 150°C

- NOTES: 1. Voltage values are with respect to network ground terminal.  
 2. This is the voltage between two emitters of a multiple-emitter transistor. For this circuit, this rating applies between the clear and count/load inputs.

### recommended operating conditions

		MIN	NOM	MAX	UNIT
Supply voltage, $V_{CC}$	SN54'	4.5	5	5.5	V
	SN74'	4.75	5	5.25	
High-level output current, $I_{OH}$				-800	$\mu$ A
Low-level output current, $I_{OL}$				16	mA
Count frequency (see Figure 1)	Clock-1 input	0		35	MHz
	Clock-2 input	0		17.5	
Pulse width, $t_w$ (see Figure 1)	Clock-1 input		14		ns
	Clock-2 input		28		
	Clear		20		
	Load		25		
Input hold time, $t_h$ (see Figure 1)	High-level data	$t_w(\text{load})$			ns
	Low-level data	$t_w(\text{load})$			
Input setup time, $t_{SU}$ (see Figure 1)	High-level data	15			ns
	Low-level data	20			
Count enable time, $t_{enable}$ (see Note 3 and Figure 1)		25			ns
Operating free-air temperature, $T_A$	SN54'	-55		125	°C
	SN74'	0		70	

NOTE 3: Minimum count enable time is the interval immediately preceding the negative-going edge of the clock pulse during which interval the count/load and clear inputs must both be high to ensure counting.

**SN54176, SN54177, SN74176, SN74177**  
**35-MHz PRESETTABLE DECADE AND**  
**BINARY COUNTERS/LATCHES**

electrical characteristics over recommended operating free-air temperature range (unless otherwise noted)

PARAMETER		TEST CONDITIONS†	SN54176, SN74176			SN54177, SN74177			UNIT
			MIN	TYP‡	MAX	MIN	TYP‡	MAX	
V <sub>IH</sub>	High-level input voltage		2			2			V
V <sub>IL</sub>	Low-level input voltage		0.8			0.8			V
V <sub>IK</sub>	Input clamp voltage	V <sub>CC</sub> = MIN, I <sub>I</sub> = -12 mA	-1.5			-1.5			V
V <sub>OH</sub>	High-level output voltage	V <sub>CC</sub> = MIN, V <sub>IH</sub> = 2 V, V <sub>IL</sub> = 0.8 V, I <sub>OH</sub> = -800 µA	2.4	3.4		2.4	3.4		V
V <sub>OL</sub>	Low-level output voltage	V <sub>CC</sub> = MIN, V <sub>IH</sub> = 2 V, V <sub>IL</sub> = 0.8 V, I <sub>OL</sub> = 16 mA*		0.2	0.4		0.2	0.4	V
I <sub>I</sub>	Input current at maximum input voltage	V <sub>CC</sub> = MAX, V <sub>I</sub> = 5.5 V	1			1			mA
I <sub>IH</sub>	High-level input current	Data, count/load	40			40			µA
		Clear, clock 1	80			80			
		Clock 2	120			80			
I <sub>IL</sub>	Low-level input current	Data, count/load	-1.6			-1.6			mA
		Clear	-3.2			-3.2			
		Clock 1	-4.8			-4.8			
		Clock 2	-4.8			-3.2			
I <sub>OS</sub>	Short-circuit output current s	V <sub>CC</sub> = MAX	SN54'	-20	-57	-20	-57	mA	
			SN74'	-18	-57	-18	-57		
I <sub>CC</sub>	Supply current	V <sub>CC</sub> = MAX, See Note 4	30 48			30 48			mA

† For conditions shown as MIN or MAX, use the appropriate value specified under recommended operating conditions.

‡ All typical values are at V<sub>CC</sub> = 5 V, T<sub>A</sub> = 25°C.

§ Not more than one output should be shorted at a time.

\* Q<sub>A</sub> outputs are tested at I<sub>OL</sub> = 16 mA plus the limit value of I<sub>IL</sub> for the clock-2 input. This permits driving the clock-2 input while fanning out to 10 Series 54/74 loads.

NOTE 4: I<sub>CC</sub> is measured with all inputs grounded and all outputs open.

switching characteristics, V<sub>CC</sub> = 5 V, R<sub>L</sub> = 400 Ω, C<sub>L</sub> = 15 pF, T<sub>A</sub> = 25°C, see figure 1

PARAMETER#	FROM (INPUT)	TO (OUTPUT)	SN54176, SN74176			SN54177, SN54177			UNIT
			MIN	TYP	MAX	MIN	TYP	MAX	
f <sub>max</sub>	Clock 1	Q <sub>A</sub>	35	50		35	50		MHz
t <sub>PLH</sub>	Clock 1	Q <sub>A</sub>	8 13			8 13			ns
t <sub>PHL</sub>			11 17		11 17				
t <sub>PLH</sub>	Clock 2	Q <sub>B</sub>	11 17			11 17			ns
t <sub>PHL</sub>			17 26		17 26				
t <sub>PLH</sub>	Clock 2	Q <sub>C</sub>	27 41			27 41			ns
t <sub>PHL</sub>			34 51		34 51				
t <sub>PLH</sub>	Clock 2	Q <sub>D</sub>	13 20			44 66			ns
t <sub>PHL</sub>			17 26		50 75				
t <sub>PLH</sub>	A, B, C, D	Q <sub>A</sub> , Q <sub>B</sub> , Q <sub>C</sub> , Q <sub>D</sub>	19 29			19 29			ns
t <sub>PHL</sub>			31 46		31 46				
t <sub>PLH</sub>	Load	Any	29 43			29 43			ns
t <sub>PHL</sub>			32 48		32 48				
t <sub>PHL</sub>	Clear	Any	32 48			32 48			ns

#f<sub>max</sub> = maximum count frequency.

t<sub>PLH</sub> = propagation delay time, low-to-high-level output.

t<sub>PHL</sub> = propagation delay time, high-to-low-level output.

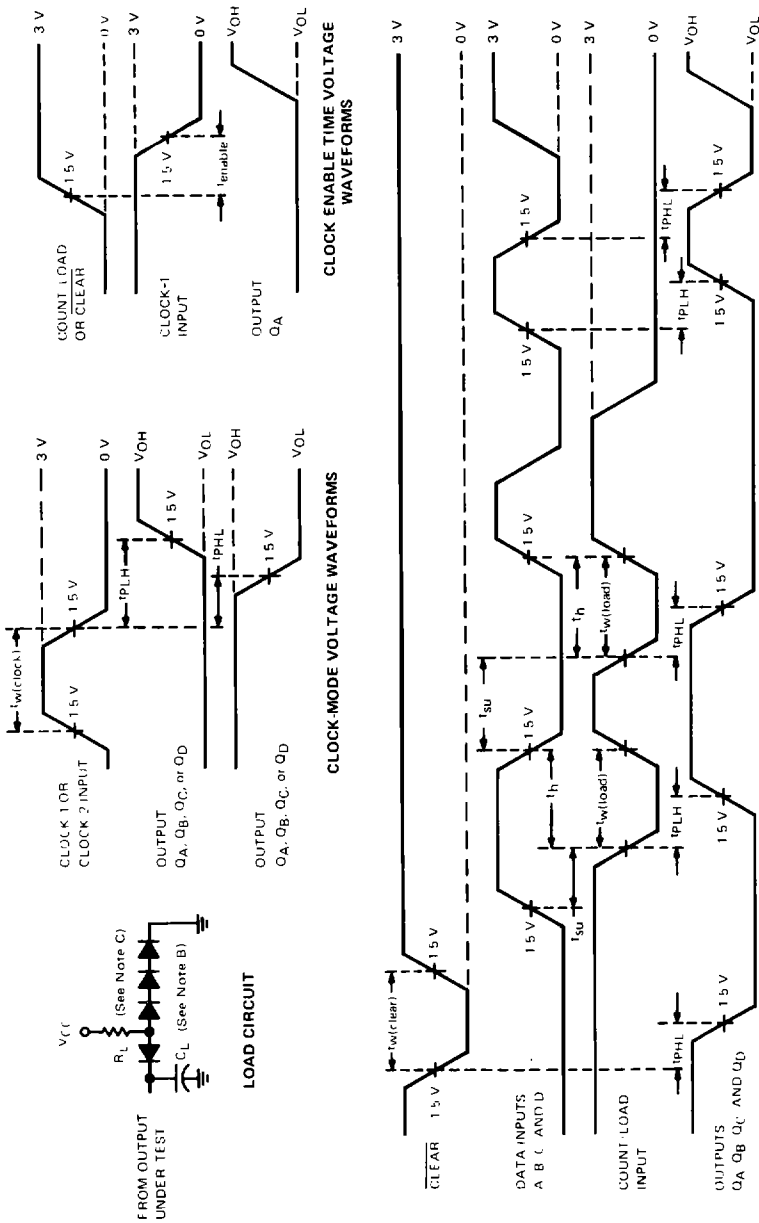
**2**  
TTL Devices

**SN54176, SN54177, SN74176, SN74177**  
**35-MHz PRESETTABLE DECADE AND**  
**BINARY COUNTERS/LATCHES**

**PARAMETER MEASUREMENT INFORMATION**

**2**

**TTL Devices**



**FIGURE 1**  
**CLEAR AND LOAD VOLTAGE WAVEFORMS**

- NOTES A The input pulse is supplied by a generator having the following characteristics: PRR  $\leq$  1 MHz, duty cycle  $\leq$  50%,  $t_r \leq$  5 ns, and unless specified,  $t_f \leq$  5 ns. When testing  $t_{max}$ , vary PRR.  
 B  $C_L$  includes probe and jig capacitance.  
 C All diodes are 1N3064 or equivalent.  
 D Unless otherwise specified,  $O_A$  is connected to clock 2.