

DM74S161/DM74S163 Synchronous 4-Bit Binary Counters

General Description

These synchronous, presettable counters feature an internal carry look-ahead for application in high-speed counting designs. They are 4-bit binary counters. The carry output is decoded by means of a NOR gate, thus preventing spikes during the normal counting mode of operation. Synchronous operation is provided by having all flip-flops clocked simultaneously so that the outputs change coincident with each other when so instructed by the count enable inputs and internal gating. This mode of operation eliminates the output counting spikes which are normally associated with asynchronous (ripple clock) counters. A buffered clock input triggers the four flip-flops on the rising (positive-going) edge of the clock input waveform.

These counters are fully programmable; that is, the outputs may be preset to either level. As presetting is synchronous, setting up a low level at the load input disables the counter and causes the outputs to agree with the setup data after the next clock pulse regardless of the levels of the enable input.

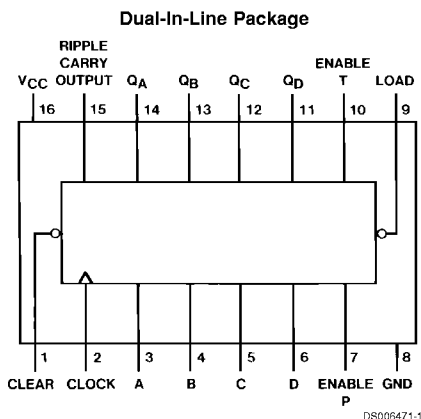
The carry look-ahead circuitry provides for cascading counters for n-bit synchronous applications without addi-

tional gating. Instrumental in accomplishing this function are two count-enable inputs and a ripple carry output. Both count-enable inputs (P and T) must be high to count, and input T is fed forward to enable the ripple carry output. The ripple carry output thus enabled will produce a high-level output pulse with a duration approximately equal to the high-level portion of the Q_A output. This high-level overflow ripple carry pulse can be used to enable successive cascaded stages.

Features

- Synchronously programmable
- Internal look-ahead for fast counting
- Carry output for n-bit cascading
- Synchronous counting
- Load control line
- Diode-clamped inputs

Connection Diagram



Order Number DM74S161N or DM74S163N
See Package Number N16E

Absolute Maximum Ratings (Note 1)

Supply Voltage	7V
Input Voltage	5.5V

Operating Free Air Temperature Range	0°C to +70°C
Storage Temperature Range	-65°C to +150°C

Recommended Operating Conditions

See Section 1 for Test Waveforms and Output Load

Symbol	Parameter	Min	Nom	Max	Units
V_{CC}	Supply Voltage	4.75	5	5.25	V
V_{IH}	High Level Input Voltage	2			V
V_{IL}	Low Level Input Voltage			0.8	V
I_{OH}	High Level Output Current			-1	mA
I_{OL}	Low Level Output Current			20	mA
f_{CLK}	Clock Frequency (Note 2)	0		40	MHz
	Clock Frequency (Note 3)	0		35	
t_w	Pulse Width (Note 2)	Clock	10		ns
		Clear (Note 5)	10		
	Pulse Width (Note 3)	Clock	12		
		Clear (Note 5)	12		
t_{SU}	Setup Time (Note 2)	Data	4		ns
		Enable P or T	12		
		Load	14		
		Clear (Note 4)	14		
	Setup Time (Note 3)	Data	5		
		Enable P or T	14		
		Load	16		
		Clear (Note 4)	16		
t_H	Hold Time (Note 2)	Data	3		ns
		Others	0		
	Hold Time (Note 3)	Data	5		
		Others	2		
t_{REL}	Load or Clear Release Time (Note 2)	12			ns
	Load or Clear Release Time (Note 3)	14			
T_A	Free Air Operating Temperature	0		70	°C

Note 1: The "Absolute Maximum Ratings" are those values beyond which the safety of the device cannot be guaranteed. The device should not be operated at these limits. The parametric values defined in the "Electrical Characteristics" table are not guaranteed at the absolute maximum ratings. The "Recommended Operating Conditions" table will define the conditions for actual device operation.

Note 2: $C_L = 15$ pF, $R_L = 280\Omega$, $T_A = 25^\circ\text{C}$ and $V_{CC} = 5\text{V}$.

Note 3: $C_L = 50$ pF, $R_L = 280\Omega$, $T_A = 25^\circ\text{C}$ and $V_{CC} = 5\text{V}$.

Note 4: Applies only to the 'S163 which has synchronous clear inputs.

Note 5: Applies only to the 'S161 which has asynchronous clear inputs.

Electrical Characteristics

over recommended operating free air temperature (unless otherwise noted)

Symbol	Parameter	Conditions	Min	Typ (Note 6)	Max	Units
V_I	Input Clamp Voltage	$V_{CC} = \text{Min}$, $I_I = -18$ mA			-1.2	V
V_{OH}	High Level Output Voltage	$V_{CC} = \text{Min}$, $I_{OH} = \text{Max}$ $V_{IL} = \text{Max}$, $V_{IH} = \text{Min}$	2.7	3.4		V
V_{OL}	Low Level Output Voltage	$V_{CC} = \text{Min}$, $I_{OL} = \text{Max}$ $V_{IH} = \text{Min}$, $V_{IL} = \text{Max}$			0.5	V

Electrical Characteristics (Continued)

over recommended operating free air temperature (unless otherwise noted)

Symbol	Parameter	Conditions	Min	Typ (Note 6)	Max	Units
I_I	Input Current @ Max Input Voltage	$V_{CC} = \text{Max}, V_I = 5.5V$			1	mA
I_{IH}	Low Level Input Current	$V_{CC} = \text{Max}$ $V_I = 2.7V$	CLK, Data		50	μA
			Others	-10	-200	
I_{IL}	Low Level Input Current	$V_{CC} = \text{Max}$ $V_I = 0.5V$	Enable T		-4	mA
			Others		-2	
I_{OS}	Short Circuit Output Current	$V_{CC} = \text{Max}$ (Note 7)	-40		-100	mA
I_{CC}	Supply Current	$V_{CC} = \text{Max}$		95	160	mA

Switching Characteristics

at $V_{CC} = 5V$ and $T_A = 25^\circ C$ (See Section 1 for Test Waveforms and Output Load)

Symbol	Parameter	From (Input) To (Output)	$R_L = 280\Omega$				Units
			$C_L = 15\text{ pF}$		$C_L = 50\text{ pF}$		
			Min	Max	Min	Max	
f_{MAX}	Maximum Clock Frequency		40		35		MHz
t_{PLH}	Propagation Delay Time Low to High Level Output	Clock to Ripple Carry		25		25	ns
t_{PHL}	Propagation Delay Time High to Low Level Output	Clock to Ripple Carry		25		28	ns
t_{PLH}	Propagation Delay Time Low to High Level Output	Clock to Any Q		15		15	ns
t_{PHL}	Propagation Delay Time High to Low Level Output	Clock to Any Q		15		18	ns
t_{PLH}	Propagation Delay Time Low to High Level Output	Enable T to Ripple Carry		15		18	ns
t_{PHL}	Propagation Delay Time High to Low Level Output	Enable T to Ripple Carry		15		18	ns
t_{PHL}	Propagation Delay Time High to Low Level Output (Note 8)	Clear to Any Q		20		24	ns

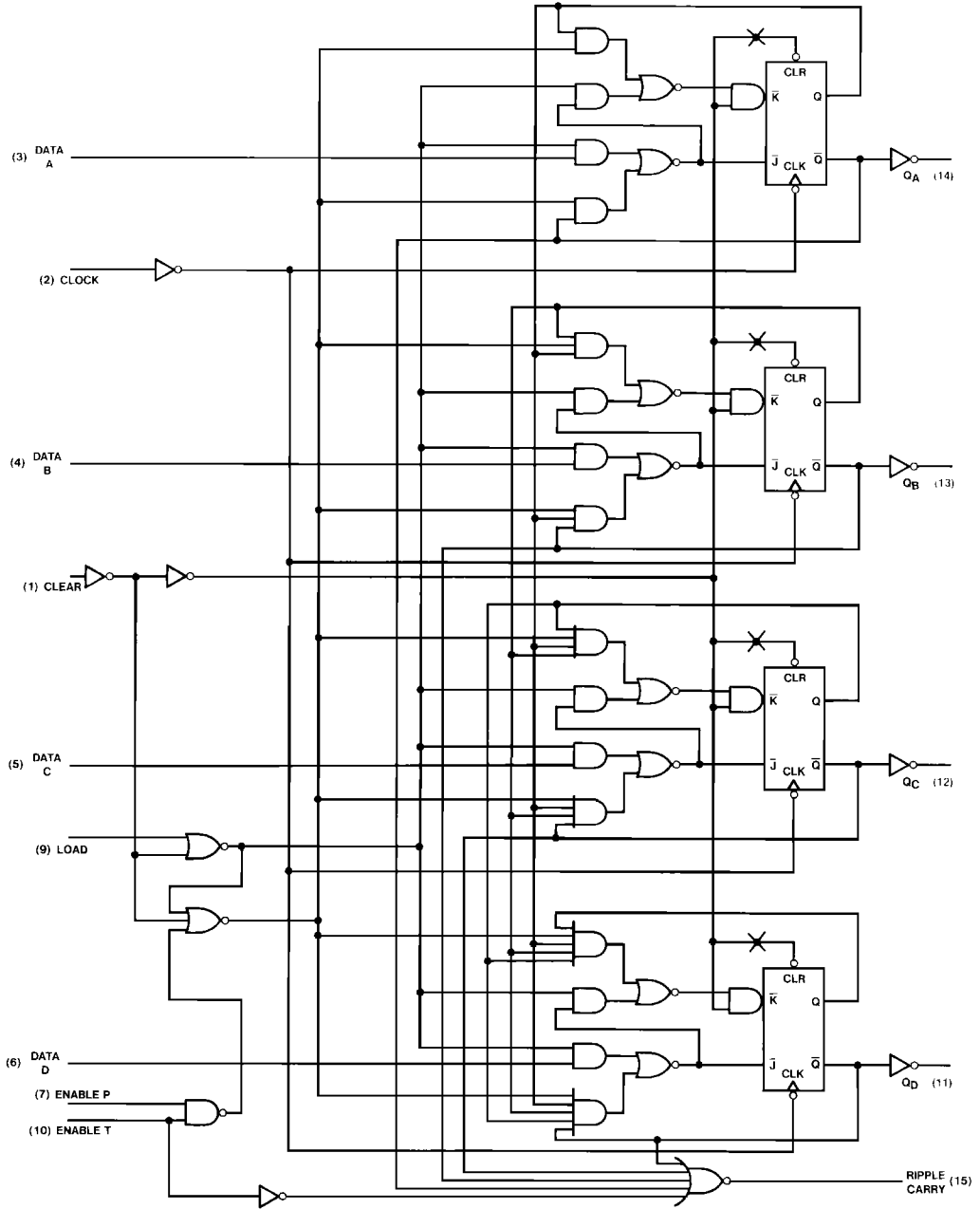
Note 6: All typicals are at $V_{CC} = 5V$, $T_A = 25^\circ C$.

Note 7: Not more than one output should be shorted at a time, and the duration should not exceed one second.

Note 8: Propagation delay for clearing is measured from clear input for the 'S161 and from the clock input transition for the 'S163.

Logic Diagram

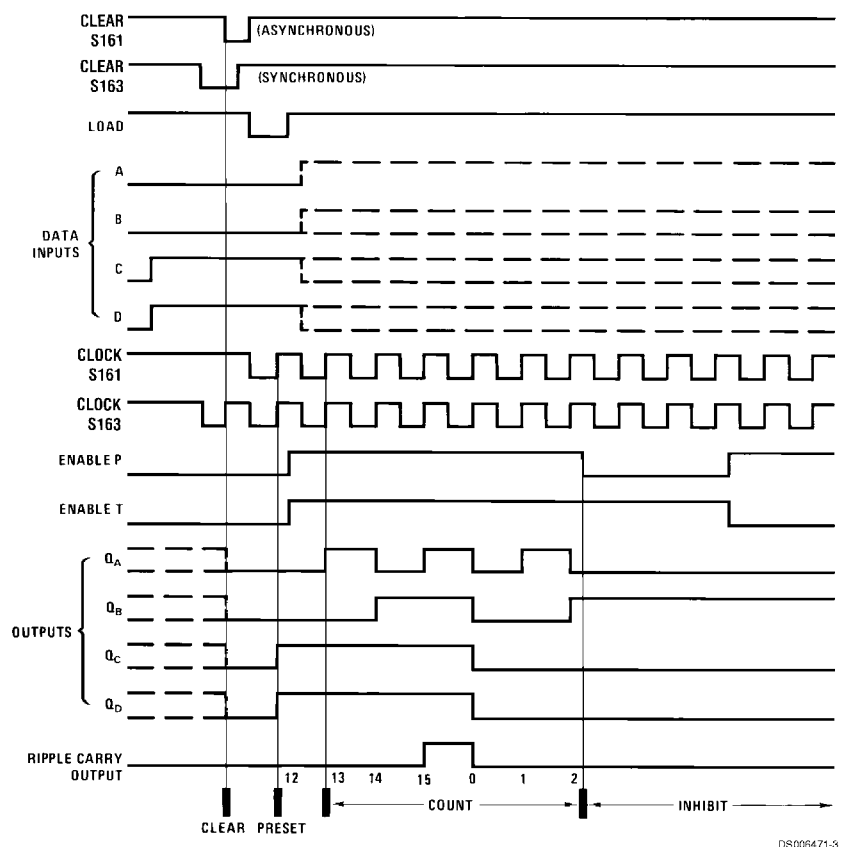
S161, S163



✕ S161 option

DS009471-2

Logic Diagram (Continued)

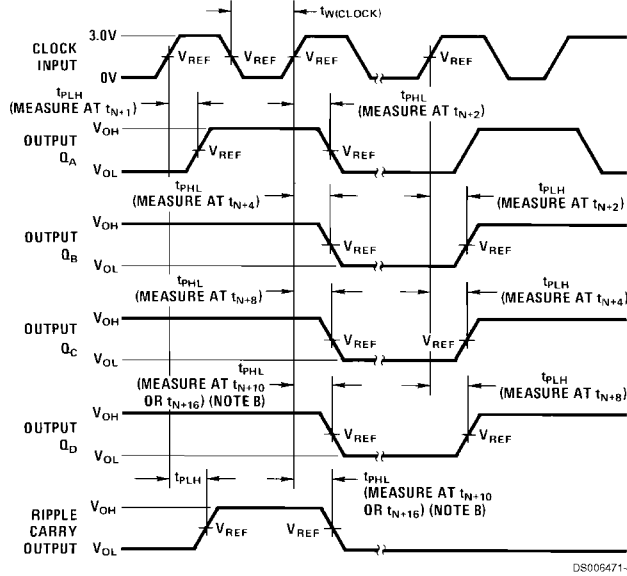


DS009471-3

- Sequence:
1. Clear outputs to zero
 2. Preset to binary twelve
 3. Count to thirteen, fourteen, fifteen, zero, one and two
 4. Inhibit

Parameter Measurement Information

Switching Time Waveforms



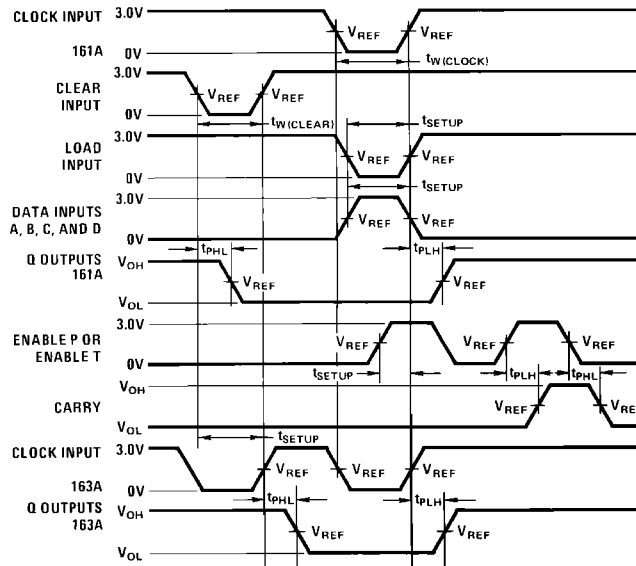
DS006471-4

Note A: The input pulses are supplied by generators having the following characteristics: PRR \leq 1 MHz, duty cycle \leq 50%, $Z_{OUT} \approx 50\Omega$. For S161/163, $t_r \leq 2.5$ ns, $t_f \leq 2.5$ ns. Vary PRR to measure f_{MAX} .

Note B: Outputs Q_D and carry are tested at $t_h + 16$ for S161, S163 where t_h is the bit time when all outputs are low

Note C: $V_{REF} = 1.5V$.

Switching Time Waveforms

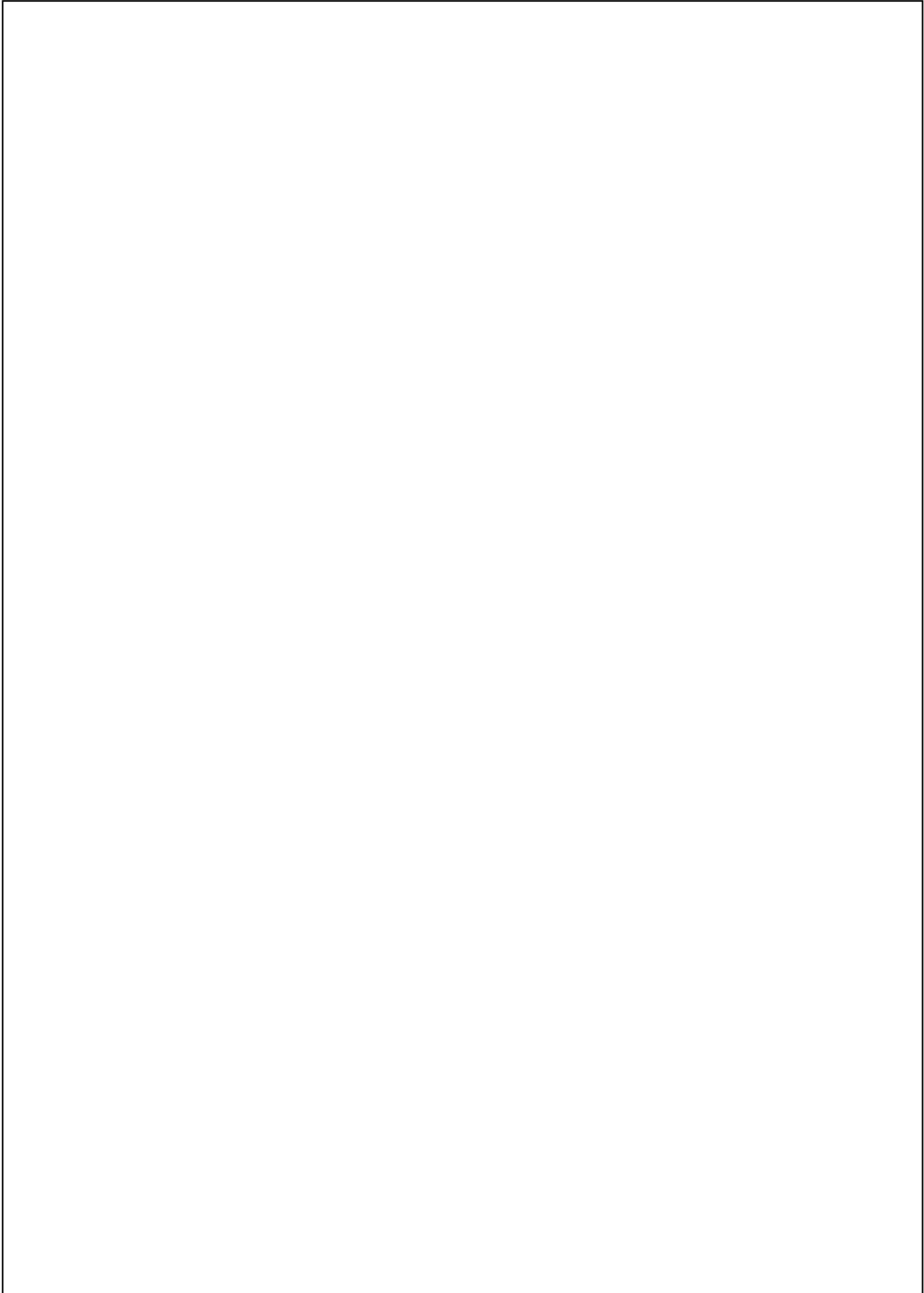


DS006471-5

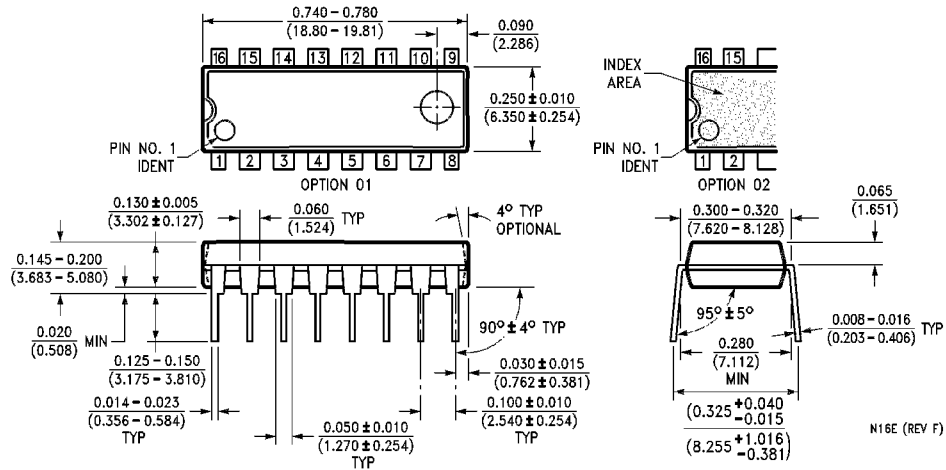
Note A: The input pulses are supplied by generators having the following characteristics: PRR \leq 1 MHz, duty cycle \leq 50%, $Z_{OUT} \approx 50\Omega$. $t_r \leq 2.5$ ns, $t_f \leq 2.5$ ns. Vary PRR to measure f_{MAX} .

Note B: Enable P and enable T setup times are measured at $t_h + 0$.

Note C: $V_{REF} = 1.5V$.



Physical Dimensions inches (millimeters) unless otherwise noted



16-Lead Molded Dual-In-Line Package (N)
Order Number DM74S161N or DM74S163N
Package Number N16E

LIFE SUPPORT POLICY

FAIRCHILD'S PRODUCTS ARE NOT AUTHORIZED FOR USE AS CRITICAL COMPONENTS IN LIFE SUPPORT DEVICES OR SYSTEMS WITHOUT THE EXPRESS WRITTEN APPROVAL OF THE PRESIDENT OF FAIRCHILD SEMICONDUCTOR CORPORATION. As used herein:

1. Life support devices or systems are devices or systems which, (a) are intended for surgical implant into the body, or (b) support or sustain life, and (c) whose failure to perform when properly used in accordance with instructions for use provided in the labeling, can be reasonably expected to result in a significant injury to the user.
2. A critical component in any component of a life support device or system whose failure to perform can be reasonably expected to cause the failure of the life support device or system, or to affect its safety or effectiveness.

Fairchild Semiconductor Corporation Americas
 Customer Response Center
 Tel: 1-888-522-5372

Fairchild Semiconductor Europe
 Fax: +49 (0) 1 80-530 85 86
 Email: europe.support@nsc.com
 Deutsches Tel: +49 (0) 8 141-35-0
 English Tel: +44 (0) 1 793-85-68-56
 Italy Tel: +39 (0) 2 57 5631

Fairchild Semiconductor Hong Kong Ltd.
 13th Floor, Straight Block,
 Ocean Centre, 5 Canton Rd.
 Tsimshatsui, Kowloon
 Hong Kong
 Tel: +852 2737-7200
 Fax: +852 2314-0061

National Semiconductor Japan Ltd.
 Tel: 81-3-5620-6175
 Fax: 81-3-5620-6179

www.fairchildsemi.com