

SN54ALS160B THRU SN54ALS163B, SN54AS160 THRU SN54AS163 SN74ALS160B THRU SN74ALS163B, SN74AS160 THRU SN74AS163 SYNCHRONOUS 4-BIT DECADE AND BINARY COUNTERS

SDAS024A - D2661, APRIL 1982 - REVISED MAY 1986

- Internal Look-Ahead for Fast Counting
- Carry Output for n-Bit Cascading
- Synchronous Counting
- Synchronously Programmable
- Package Options include Plastic Small Outline Packages, Ceramic Chip Carriers, and Standard Plastic and Ceramic 300-mil DIPs
- Dependable Texas Instruments Quality and Reliability

description

These synchronous, presettable counters feature an internal carry look-ahead for application in high-speed counting designs. The 'ALS160B, 'ALS162B, 'AS160, and 'AS162 are decade counters, and the 'ALS161B, 'ALS163B, 'AS161, and 'AS163 are 4-bit binary counters. Synchronous operation is provided by having all flip-flops clocked simultaneously so that the outputs change coincident with each other when so instructed by the count-enable inputs and internal gating. This mode of operation eliminates the output counting spikes that are normally associated with asynchronous (ripple clock) counters. A buffered clock input triggers the four flip-flops on the rising (positive-going) edge of the clock input waveform.

These counters are fully programmable; that is, they may be preset to any number between 0 and 9, or 15. As presetting is synchronous, setting up a low level at the load input disables the counter and causes the outputs to agree with the setup data after the next clock pulse regardless of the levels of the enable inputs.

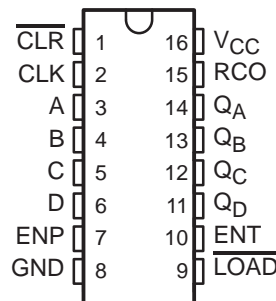
The clear function for the 'ALS160B, 'ALS161B, 'AS160, and 'AS161 is asynchronous and a low level at the clear input sets all four of the flip-flop outputs low regardless of the levels of the clock, load, or enable inputs. This synchronous clear allows the count length to be modified easily by decoding the Q outputs for the maximum count desired. The active-low output of the gate used for decoding is connected to the clear input to synchronously clear the counter to 0000 (LLLL).

The carry look-ahead circuitry provides for cascading counters for n-bit synchronous applications without additional gating. Instrumental in accomplishing this function are two count-enable inputs and a ripple carry output. Both count-enable inputs (ENP and ENT) must be high to count, and ENT is fed forward to enable the ripple carry output. The ripple carry output (RCO) thus enabled will produce a high-level pulse while the count is maximum (9 or 15 with Q_A high). This high-level overflow ripple carry pulse can be used to enable successive cascaded stages. Transitions at the ENP or ENT are allowed regardless of the level of the clock input.

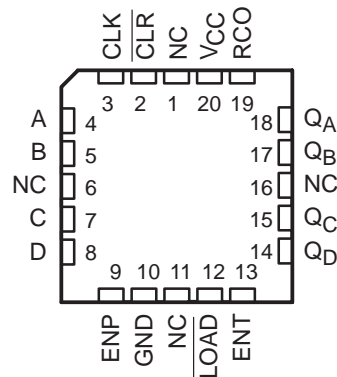
These counters feature a fully independent clock circuit. Changes at control inputs (ENP, ENT, or $\overline{\text{LOAD}}$) that will modify the operating mode have no effect on the contents of the counter until clocking occurs. The function of the counter (whether enabled, disabled, loading, or counting) will be dictated solely by the conditions meeting the stable setup and hold times.

The SN54ALS160B through SN54ALS163B and SN54AS160 through SN54AS163 are characterized for operation over the full military temperature range of -55°C to 125°C. The SN74ALS160B through SN74ALS163B and SN74AS160 through SN74AS163 are characterized for operation from 0°C to 70°C.

SN54ALS', SN54AS' ... J PACKAGE
SN74ALS', SN74AS' ... D OR N PACKAGE
(TOP VIEW)



SN54ALS', SN54AS' ... FK PACKAGE
(TOP VIEW)

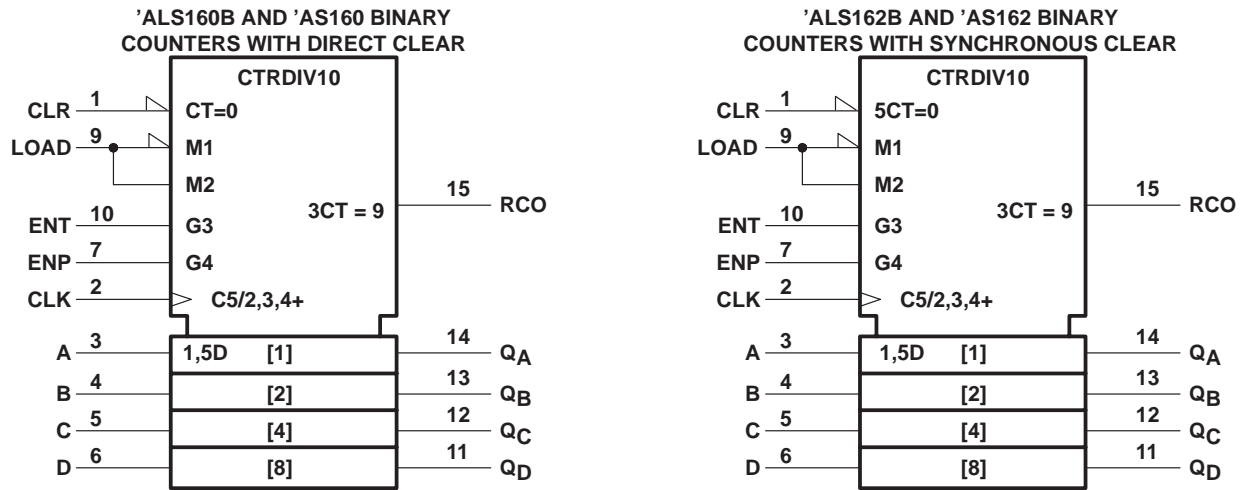


NC—No internal connection

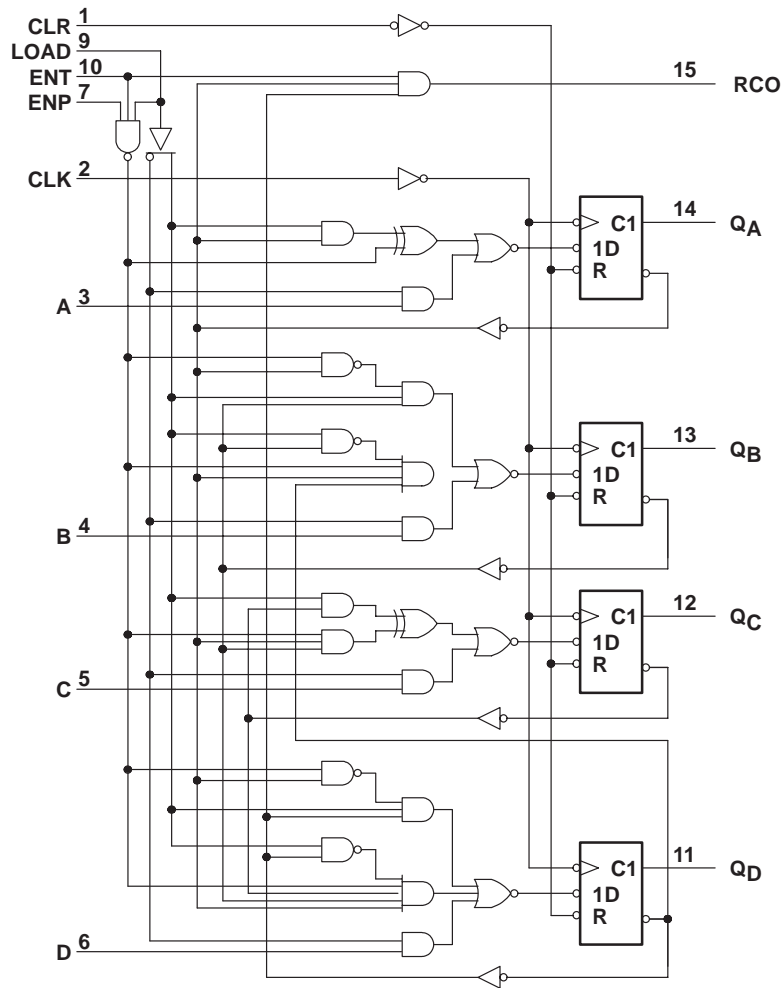
SN54ALS160B, SN54ALS162B, SN54AS160, SN54AS162 SN74ALS160B, SN74ALS162B, SN74AS160, SN74AS162 SYNCHRONOUS 4-BIT BINARY COUNTERS

SDAS024A – D2661, APRIL 1982 – REVISED MAY 1986

logic symbols†



'ALS160B and 'AS160 logic diagram (positive logic)



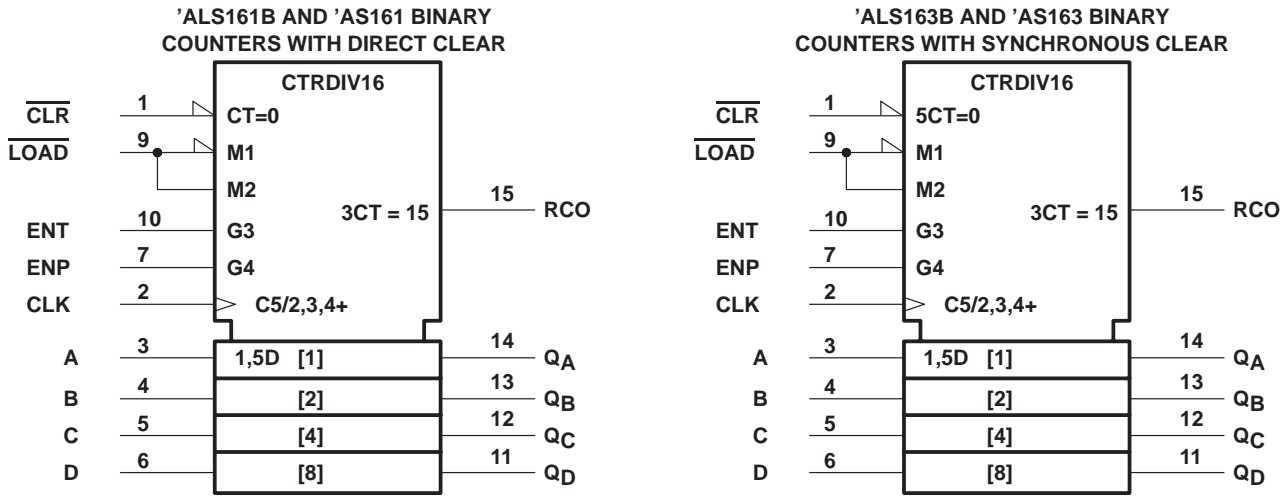
† These symbols are in accordance with ANSI/IEEE Std 91-1984 and IEC Publication 617-12.
Pin numbers shown are for D, J, and N packages.

'ALS162B and 'AS162 decade counters are similar; however the clear is synchronous as shown for the 'ALS163B and 'AS163 binary counters.

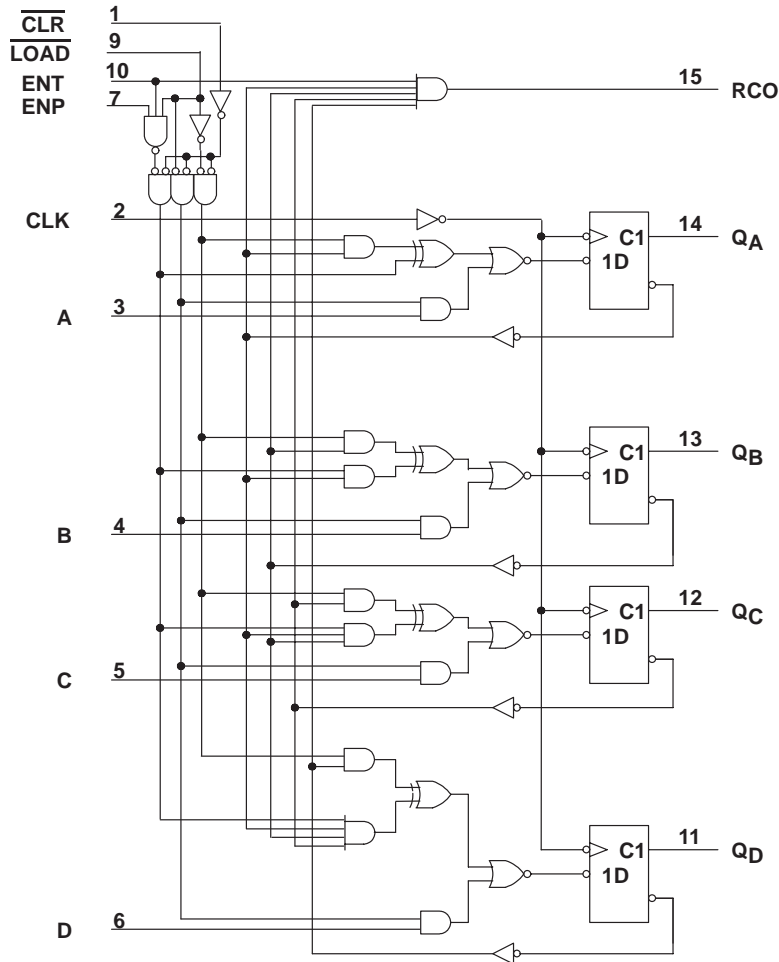
SN54ALS161B, SN54ALS163B, SN54AS161, SN54AS163 SN74ALS161B, SN74ALS163B, SN74AS161, SN74AS163 SYNCHRONOUS 4-BIT BINARY COUNTERS

SDAS024A - D2661, APRIL 1982 - REVISED MAY 1986

logic symbols†



'ALS163B and 'AS163 logic diagram (positive logic)



† These symbols are in accordance with ANSI/IEEE Std 91-1984 and IEC Publication 617-12.

Pin numbers shown are for D, J, and N packages.

'ALS161B and 'AS161 synchronous binary counters are similar; however the clear is asynchronous as shown for the 'ALS160B and 'AS160 decade counters.

SN54ALS160B, SN54ALS162B, SN54AS160, SN54AS162 SN74ALS160B, SN74ALS162B, SN74AS160, SN74AS162 SYNCHRONOUS 4-BIT DECADE COUNTERS

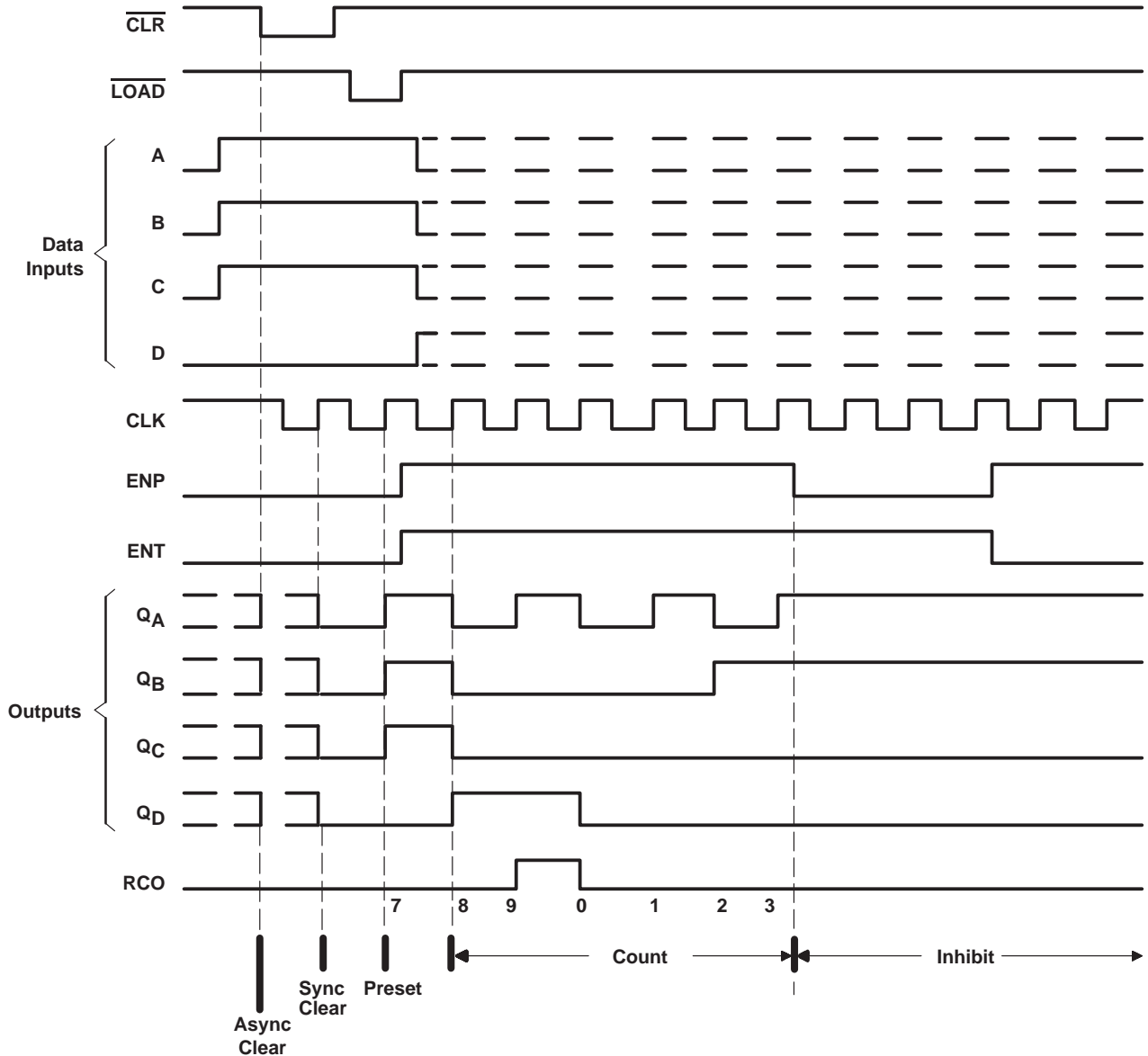
SDAS024A – D2661, APRIL 1982 – REVISED MAY 1986

typical clear, preset, count, and inhibit sequences

'ALS160B, 'AS160, 'ALS162B, 'AS162

Illustrated below is the following sequence:

1. Clear outputs to zero ('ALS160B and 'AS160 are asynchronous; 'ALS162B and 'AS1162 are synchronous)
2. Preset to BCD seven
3. Count to eight, nine, zero, one, two, and three
4. Inhibit



SN54ALS161B, SN54ALS163B, SN54AS161, SN54AS163
 SN74ALS161B, SN74ALS163B, SN74AS161, SN74AS163
SYNCHRONOUS 4-BIT BINARY COUNTERS

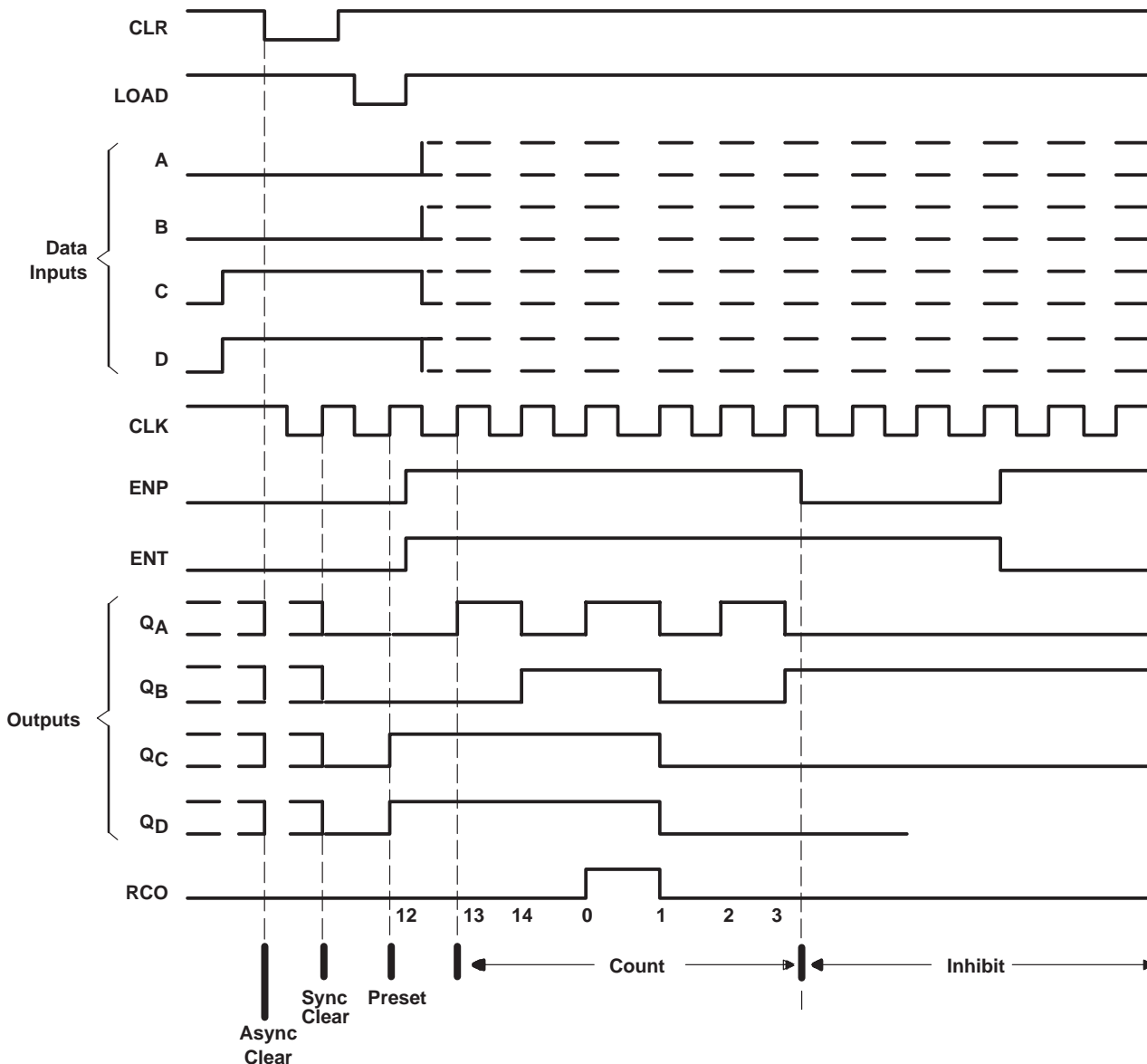
SDAS024A - D2661, APRIL 1982 - REVISED MAY 1986

typical clear, preset, count, and inhibit sequences

'ALS161B, 'AS161, 'ALS163B, 'AS163

Illustrated below is the following sequence:

1. Clear outputs to zero ('ALS161B and 'AS161 are asynchronous; 'ALS163B and 'AS163 are synchronous)
2. Preset to binary twelve
3. Count to thirteen, fourteen, fifteen, zero, one, and two
4. Inhibit



SN54ALS160B THRU SN54ALS163B SN74ALS160B THRU SN74ALS163B SYNCHRONOUS 4-BIT DECADE COUNTERS

SDAS024A – D2661, APRIL 1982 – REVISED MAY 1986

absolute maximum ratings over operating free-air temperature range (unless otherwise noted)

Supply voltage, V_{CC}	7 V
Input voltage	7 V
Operating free-air temperature range:	SN54ALS160B thru SN54ALS163B -55°C to 125°C SN74ALS160B thru SN74ALS163B 0°C to 70°C
Storage temperature range	-65°C to 150°C

recommended operating conditions

		SN54ALS160B THRU SN54ALS163B			SN74ALS160B THRU SN74ALS163B			UNIT	
		MIN	NOM	MAX	MIN	NOM	MAX		
V_{CC}	Supply voltage	4.5	5	5.5	4.5	5	5.5	V	
V_{IH}	High-level input voltage	2			2			V	
V_{IL}	Low-level input voltage			0.7			0.8	V	
I_{OH}	High-level output current			-0.4			-0.4	mA	
I_{OL}	Low-level output current			4			8	mA	
f_{clock}	Clock frequency	0		22	0		40	MHz	
t_w	Pulse duration	CLR high or low		20	12.5		ns		
		'ALS160B, 'ALS161B CLR low		20	15				
t_{su}	Setup time before CLK↑	A, B, C, D		50	15		ns		
		LOAD		20	15				
		ENP, ENT	'ALS160B, 'ALS161B	25	15				
			'ALS162B, 'ALS163B	20	15				
		'ALS160B, 'ALS161B	CLR inactive	10	10				
		'ALS162B, 'ALS163B	CLR low	20	15				
'ALS162B, 'ALS163B	CLR high (inactive)	10	10						
t_h	Hold time, all synchronous inputs after CLK↑	0			0		ns		
T_A	Operating free-air temperature	-55			125		0	70	°C

electrical characteristics over recommended operating free-air temperature range (unless otherwise noted)

PARAMETER	TEST CONDITIONS	SN54ALS160B THRU SN54ALS163B			SN74ALS160B THRU SN74ALS163B			UNIT
		MIN	TYP†	MAX	MIN	TYP†	MAX	
V_{IK}	$V_{CC} = 4.5\text{ V}$, $I_I = -18\text{ mA}$	-1.5			-1.5			V
V_{OH}	$V_{CC} = 4.5\text{ V to } 5.5\text{ V}$, $I_{OH} = -0.4\text{ mA}$	$V_{CC}-2$			$V_{CC}-2$			V
V_{OL}	$V_{CC} = 4.5\text{ V}$, $I_{OL} = 4\text{ mA}$	0.25	0.4		0.25	0.4	V	
	$V_{CC} = 4.5\text{ V}$, $I_{OL} = 8\text{ mA}$				0.35	0.5		
I_I	$V_{CC} = 5.5\text{ V}$, $V_I = 7\text{ V}$	0.1			0.1			mA
I_{IH}	$V_{CC} = 5.5\text{ V}$, $V_I = 2.7\text{ V}$	20			20			μA
I_{IL}	$V_{CC} = 5.5\text{ V}$, $V_I = 0.4\text{ V}$	-0.2			-0.2			mA
I_{O}^{\ddagger}	$V_{CC} = 5.5\text{ V}$, $V_O = 2.25\text{ V}$	-30	-112		-30	-112	mA	
I_{CC}	$V_{CC} = 5.5\text{ V}$	12	21		12	21	mA	

† All typical values are at $V_{CC} = 5\text{ V}$, $T_A = 25^\circ\text{C}$.

‡ The output conditions have been chosen to produce a current that closely approximates one half of the true short-circuit output current, I_{OS} .



SN54ALS160B THRU SN54ALS163B
SN74ALS160B THRU SN74ALS163B
SYNCHRONOUS 4-BIT BINARY COUNTERS

SDAS024A – D2661, APRIL 1982 – REVISED MAY 1986

'ALS160B, 'ALS161B switching characteristics (see Note 1)

PARAMETER	FROM (INPUT)	TO (OUTPUT)	V _{CC} = 4.5 V to 5.5 V, C _L = 50 pF, R _L = 500 Ω, T _A = MIN to MAX				UNIT
			SN54ALS160B SN54ALS161B		SN74ALS160B SN74ALS161B		
			MIN	MAX	MIN	MAX	
f _{max}			22		40	MHz	
t _{PLH}	CLK	RCO	5	34	5	20	ns
t _{PHL}			5	27	5	20	
t _{PLH}	CLK	Any Q	4	19	4	15	ns
t _{PHL}			6	25	6	20	
t _{PLH}	ENT	RCO	3	18	3	13	ns
t _{PHL}			3	17	3	13	
t _{PHL}	CLR	Any Q	8	27	8	24	ns
t _{PHL}	CLR	RCO	11	32	11	23	ns

'ALS162B, 'ALS163B switching characteristics (see Note 1)

PARAMETER	FROM (INPUT)	TO (OUTPUT)	V _{CC} = 4.5 V to 5.5 V, C _L = 50 pF, R _L = 500 Ω, T _A = MIN to MAX				UNIT
			SN54ALS162B SN54ALS163B		SN74ALS162B SN74ALS163B		
			MIN	MAX	MIN	MAX	
f _{max}			35		40	MHz	
t _{PLH}	CLK	RCO	5	25	5	20	ns
t _{PHL}			5	25	5	20	
t _{PLH}	CLK	Any Q	4	18	4	15	ns
t _{PHL}			6	25	6	20	
t _{PLH}	ENT	RCO	3	16	3	13	ns
t _{PHL}			3	16	3	13	

NOTE 1: Load circuit and voltage waveforms are shown in Section 1.



SN54AS160 THRU SN54AS163 SN74AS160 THRU SN74AS163 SYNCHRONOUS 4-BIT DECADE COUNTERS

SDAS024A – D2661, APRIL 1982 – REVISED MAY 1986

absolute maximum ratings over operating free-air temperature range (unless otherwise noted)

Supply voltage, V_{CC}	7 V
Input voltage	7 V
Operating free-air temperature range:	
SN54AS160 thru SN54AS163	–55°C to 125°C
SN74AS160 thru SN74AS163	0°C to 70°C
Storage temperature range	–65°C to 150°C

recommended operating conditions

		SN54AS160 THRU SN54AS163			SN74AS160 THRU SN74AS163			UNIT
		MIN	NOM	MAX	MIN	NOM	MAX	
V_{CC}	Supply voltage	4.5	5	5.5	4.5	5	5.5	V
V_{IH}	High-level input voltage	2			2			V
V_{IL}	Low-level input voltage			0.8			0.8	V
I_{OH}	High-level output current			–2			–2	mA
I_{OL}	Low-level output current			20			20	mA
f_{clock}	Clock frequency	0		65	0		75	MHz
t_w	Pulse duration	CLR high or low		7.7		6.7		ns
		'ALS160, 'ALS161 CLR low		10		8		
t_{su}	Setup time before CLK↑	A, B, C, D		10		8		ns
		LOAD		10		8		
		ENP, ENT		10		8		
		'ALS160, 'ALS161 CLR inactive		10		8		
		'ALS162, 'ALS163						
		CLR low		14		12		
		CLR high (inactive)		10		9		
t_h	Hold time, all synchronous inputs after CLK↑	2			0			ns
T_A	Operating free-air temperature	–55		125	0		70	°C

electrical characteristics over recommended operating free-air temperature range (unless otherwise noted)

PARAMETER	TEST CONDITIONS	SN54AS160 THRU SN54AS163			SN74AS160 THRU SN74AS163			UNIT
		MIN	TYP†	MAX	MIN	TYP†	MAX	
V_{IK}	$V_{CC} = 4.5 V$, $I_I = -18 mA$			–1.2			–1.2	V
V_{OH}	$V_{CC} = 4.5 V$ to $5.5 V$, $I_{OH} = -2 mA$	$V_{CC} - 2$			$V_{CC} - 2$			V
V_{OL}	$V_{CC} = 4.5 V$, $I_{OL} = 20 mA$	0.25	0.5		0.25	0.5		V
I_I	LOAD	$V_{CC} = 5.5 V$, $V_I = 7 V$		0.3			0.3	mA
	ENT			0.2			0.2	
	All other			0.1			0.1	
I_{IH}	LOAD	$V_{CC} = 5.5 V$, $V_I = 2.7 V$		60			60	μA
	ENT			40			40	
	All other			20			20	
I_{IL}	LOAD	$V_{CC} = 5.5 V$, $V_I = 0.4 V$		–1.5			–1.5	mA
	ENT			–1			–1	
	All other			–0.5			–0.5	
I_{O}^{\ddagger}	$V_{CC} = 5.5 V$, $V_O = 2.25 V$	–30		–112	–30		–112	mA
I_{CC}	$V_{CC} = 5.5 V$	35	53		35	53		

† All typical values are at $V_{CC} = 5 V$, $T_A = 25^\circ C$.

‡ The output conditions have been chosen to produce a current that closely approximates one half of the true short-circuit output current, I_{OS} .



SN54AS160 THRU SN54AS163
SN74AS160 THRU SN74AS163
SYNCHRONOUS 4-BIT BINARY COUNTERS

SDAS024A – D2661, APRIL 1982 – REVISED MAY 1986

'AS160, 'AS161 switching characteristics (see Note 1)

PARAMETER	FROM (INPUT)	TO (OUTPUT)	V _{CC} = 4.5 V to 5.5 V, C _L = 50 pF, C _L = 50 pF, R _L = 500 Ω, T _A = MIN to MAX				UNIT
			SN54AS160 SN54AS161		SN74AS160 SN74AS161		
			MIN	MAX	MIN	MAX	
f _{max}			65		75	MHz	
t _{PHL}	CLK	RCO	2	14	2	12.5	ns
t _{PLH}		RCO (with LOAD high)	1	8.5	1	8	
t _{PLH}		RCO (with LOAD low)	3	17.5	3	16.5	
t _{PLH}	CLK	Any Q	1	7.5	1	7	ns
t _{PHL}			2	14	2	13	
t _{PLH}	ENT	RCO	1.5	10	1.5	9	ns
t _{PHL}			1	9.5	1	8.5	
t _{PHL}	CLR	Any Q	2	14	2	13	ns
t _{PHL}	CLR	RCO	2	14	2	12.5	ns

'AS162, 'AS163 switching characteristics (see Note 1)

PARAMETER	FROM (INPUT)	TO (OUTPUT)	V _{CC} = 4.5 V to 5.5 V, C _L = 50 pF, R _L = 500 Ω, T _A = MIN to MAX				UNIT
			SN54AS162 SN54AS163		SN74AS162 SN74AS163		
			MIN	MAX	MIN	MAX	
f _{max}			65		75	MHz	
t _{PHL}	CLK	RCO	2	14	2	12.5	ns
t _{PLH}		RCO (with LOAD high)	1	8.5	1	8	
t _{PLH}		RCO (with LOAD low)	3	17.5	3	16.5	
t _{PLH}	CLK	Any Q	1	7.5	1	7	ns
t _{PHL}			2	14	2	13	
t _{PLH}	ENT	RCO	1.5	10	1.5	9	ns
t _{PHL}			1	9.5	1	8.5	

NOTE 1: Load circuit and voltage waveforms are shown in Section 1.



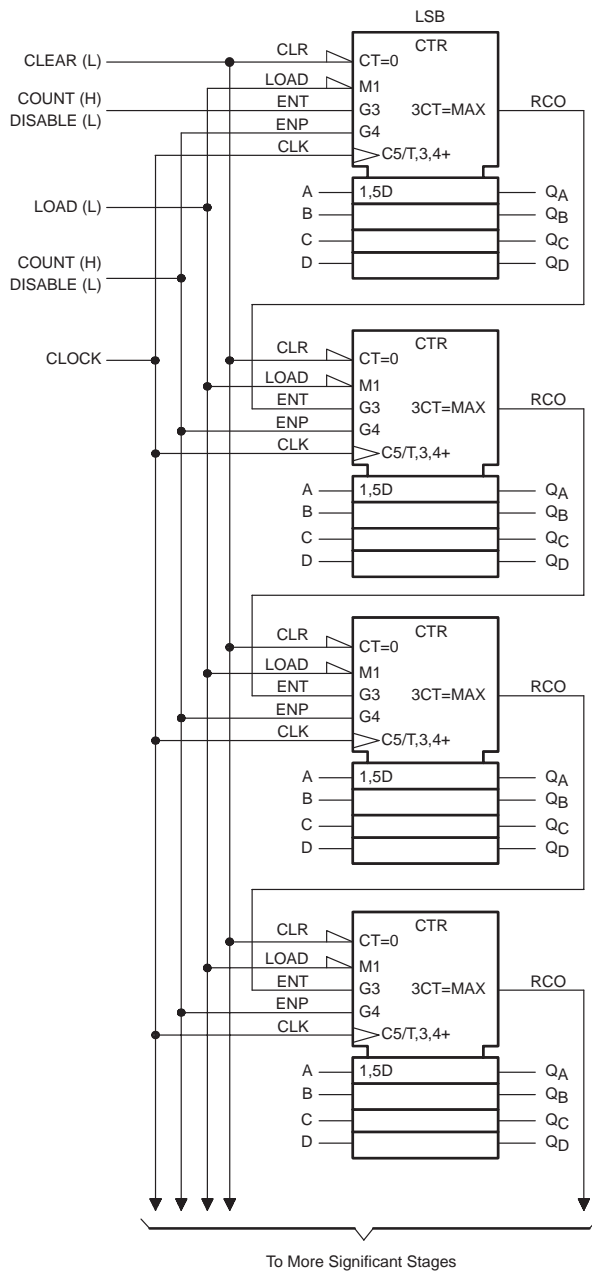
SN54ALS160B THRU SN54ALS163B, SN54AS160 THRU SN54AS163 SN74ALS160B THRU SN74ALS163B, SN74AS160 THRU SN74AS163 SYNCHRONOUS 4-BIT DECADE COUNTERS

SDAS024A – D2661, APRIL 1982 – REVISED MAY 1986

APPLICATION INFORMATION

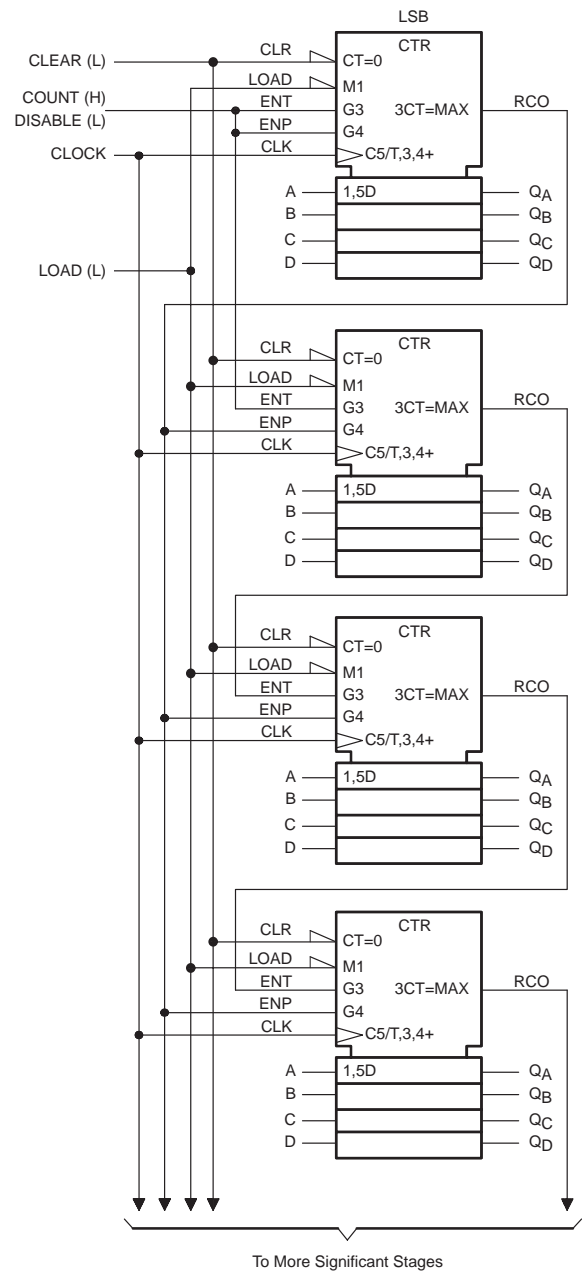
N-bit synchronous counters

This application demonstrates how the ripple mode carry circuit (Figure 1) and the carry-look-ahead circuit (Figure 2) can be used to implement a high-speed N-bit counter. The 'ALS160B, 'AS160, 'ALS162B, and 'AS162 will count in BCD and the 'ALS161B, 'AS161, 'ALS163B, and 'AS163 will count in binary. When additional stages are added, the f_{MAX} decreases in Figure 1, but remains unchanged in Figure 2.



$$f_{MAX} = 1/(\text{CLK to RCO } t_{PLH}) + (\text{ENT to RCO } t_{PLH}) (N-2) + (\text{ENT } t_{SU})$$

Figure 1. Ripple Mode Carry Circuit



$$f_{MAX} = 1/(\text{CLK to RCO } t_{PLH}) + (\text{ENP } t_{SU})$$

Figure 2. Carry-Look-Ahead Circuit

IMPORTANT NOTICE

Texas Instruments and its subsidiaries (TI) reserve the right to make changes to their products or to discontinue any product or service without notice, and advise customers to obtain the latest version of relevant information to verify, before placing orders, that information being relied on is current and complete. All products are sold subject to the terms and conditions of sale supplied at the time of order acknowledgement, including those pertaining to warranty, patent infringement, and limitation of liability.

TI warrants performance of its semiconductor products to the specifications applicable at the time of sale in accordance with TI's standard warranty. Testing and other quality control techniques are utilized to the extent TI deems necessary to support this warranty. Specific testing of all parameters of each device is not necessarily performed, except those mandated by government requirements.

CERTAIN APPLICATIONS USING SEMICONDUCTOR PRODUCTS MAY INVOLVE POTENTIAL RISKS OF DEATH, PERSONAL INJURY, OR SEVERE PROPERTY OR ENVIRONMENTAL DAMAGE ("CRITICAL APPLICATIONS"). TI SEMICONDUCTOR PRODUCTS ARE NOT DESIGNED, AUTHORIZED, OR WARRANTED TO BE SUITABLE FOR USE IN LIFE-SUPPORT DEVICES OR SYSTEMS OR OTHER CRITICAL APPLICATIONS. INCLUSION OF TI PRODUCTS IN SUCH APPLICATIONS IS UNDERSTOOD TO BE FULLY AT THE CUSTOMER'S RISK.

In order to minimize risks associated with the customer's applications, adequate design and operating safeguards must be provided by the customer to minimize inherent or procedural hazards.

TI assumes no liability for applications assistance or customer product design. TI does not warrant or represent that any license, either express or implied, is granted under any patent right, copyright, mask work right, or other intellectual property right of TI covering or relating to any combination, machine, or process in which such semiconductor products or services might be or are used. TI's publication of information regarding any third party's products or services does not constitute TI's approval, warranty or endorsement thereof.