

## 93L10/93L16 BCD Decade Counter/4-Bit Binary Counter

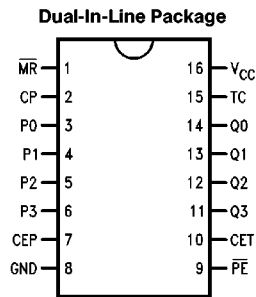
### General Description

The 93L10 is a high speed synchronous BCD decade counter and the 93L16 is a high speed synchronous 4-bit binary counter. They are synchronously presettable, multifunctional MSI building blocks useful in a large number of counting, digital integration and conversion applications. Several states of synchronous operation are obtainable with no external gating packages required through an internal carry lookahead counting technique.

### Features

- Synchronous counting and parallel entry
- Decoded terminal count
- Built-in Carry Circuitry
- Easy interfacing with DTL, LPDTL, and TTL families

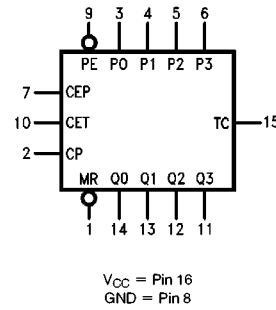
### Connection Diagram



TL/F/9603-1

**Order Number 93L10DMQB, 93L10FMQB,  
93L16DMQB or 93L16FMQB  
See NS Package Number J16A or W16A**

### Logic Symbol



TL/F/9603-2

Pin Names	Description
CEP	Count Enable Parallel Input
CET	Count Enable Trickle Input
CP	Clock Pulse Input (Active Rising Edge)
$\overline{MR}$	Asynchronous Master Reset Input (Active LOW)
P0-P3	Parallel Data Inputs
$\overline{PE}$	Parallel Enable Input (Active LOW)
Q0-Q3	Flip-Flop Outputs
TC	Terminal Count Output

## Absolute Maximum Ratings (Note)

If Military/Aerospace specified devices are required, please contact the National Semiconductor Sales Office/Distributors for availability and specifications.

Supply Voltage	7V
Input Voltage	5.5V
Operating Free Air Temperature Range	
MIL	–55°C to +125°C
Storage Temperature Range	–65°C to +150°C

Note: The "Absolute Maximum Ratings" are those values beyond which the safety of the device cannot be guaranteed. The device should not be operated at these limits. The parametric values defined in the "Electrical Characteristics" table are not guaranteed at the absolute maximum ratings. The "Recommended Operating Conditions" table will define the conditions for actual device operation.

## Recommended Operating Conditions

Symbol	Parameter	93L10/93L16 (MIL)			Units
		Min	Nom	Max	
V <sub>CC</sub>	Supply Voltage	4.5	5	5.5	V
V <sub>IH</sub>	High Level Input Voltage	2			V
V <sub>IL</sub>	Low Level Input Voltage			0.7	V
I <sub>OH</sub>	High Level Output Voltage			–400	μA
I <sub>OL</sub>	Low Level Output Current			4.8	mA
T <sub>A</sub>	Free Air Operating Temperature	–55		125	°C
t <sub>s</sub> (H)	Setup Time HIGH or LOW	75			ns
t <sub>s</sub> (L)	P <sub>n</sub> to CP	75			
t <sub>h</sub> (H)	Hold Time HIGH or LOW	10			ns
t <sub>h</sub> (L)	P <sub>n</sub> to CP	10			
t <sub>s</sub> (H)	Setup Time HIGH or LOW	(Note 2)			ns
t <sub>s</sub> (L)	$\overline{PE}$ to CP	53			
t <sub>h</sub> (H)	Hold Time HIGH or LOW	7.0			ns
t <sub>h</sub> (L)	$\overline{PE}$ to CP	(Note 2)			
t <sub>s</sub> (H)	Setup Time HIGH or LOW	26			ns
t <sub>s</sub> (L)	CEP or CET to CP	(Note 1)			
t <sub>h</sub> (H)	Hold Time HIGH or LOW	(Note 1)			ns
t <sub>h</sub> (L)	CEP or CET to CP	10			
t <sub>w</sub> (H)	CP Pulse Width	25			ns
t <sub>w</sub> (L)		25			
t <sub>w</sub> (L)	$\overline{MR}$ Pulse Width LOW	65			ns
t <sub>rec</sub>	Recovery Time, $\overline{MR}$ to CP	30			ns

**Note 1:** The Setup Time "t<sub>s</sub>(L)" and Hold Time "t<sub>h</sub>(H)" between the Count Enable (CEP and CET) and the Clock (CP) indicate that the HIGH-to-LOW transition of the CEP and CET must occur only while the Clock is HIGH for conventional operation.

**Note 2:** The Setup Time "t<sub>s</sub>(H)" and Hold Time "t<sub>h</sub>(L)" between the Parallel Enable ( $\overline{PE}$ ) and Clock (CP) indicate that the LOW-to-HIGH transition of the  $\overline{PE}$  must occur only while the Clock is HIGH for conventional operation.

## Electrical Characteristics

over recommended operating free air temperature range (unless otherwise noted)

Symbol	Parameter	Conditions	Min	Typ (Note 1)	Max	Units
$V_I$	Input Clamp Voltage	$V_{CC} = \text{Min}, I_I = -10 \text{ mA}$			-1.5	V
$V_{OH}$	High Level Output Voltage	$V_{CC} = \text{Min}, I_{OH} = \text{Max}, V_{IL} = \text{Max}, V_{IH} = \text{Min}$	2.4	3.4		V
$V_{OL}$	Low Level Output Voltage	$V_{CC} = \text{Min}, I_{OL} = \text{Max}, V_{IH} = \text{Min}, V_{IL} = \text{Max}$			0.3	V
$I_I$	Input Current @ Max Input Voltage	$V_{CC} = \text{Max}, V_I = 5.5 \text{ V}$			1	mA
$I_{IH}$	High Level Input Current	$V_{CC} = \text{Max}, V_I = 2.4 \text{ V}$	Inputs		20	$\mu\text{A}$
			CET, CP, PE		40	
			$P_n$		13.3	
$I_{IL}$	Low Level Input Current	$V_{CC} = \text{Max}, V_I = 0.3 \text{ V}$	Inputs		-400	$\mu\text{A}$
			CET, CP, PE		-800	
			$P_n$		-267	
$I_{OS}$	Short Circuit Output Current	$V_{CC} = \text{Max}$ (Note 2)	-2.5		-25	mA
$I_{CC}$	Supply Current	$V_{CC} = \text{Max}$			27.5	mA

**Note 1:** All typicals are at  $V_{CC} = 5 \text{ V}, T_A = 25^\circ\text{C}$ .

**Note 2:** Not more than one output should be shorted at a time, and the duration should not exceed one second.

## Switching Characteristics

$V_{CC} = +5.0 \text{ V}, T_A = +25^\circ\text{C}$  (See Section 1 for waveforms and load configurations)

Symbol	Parameter	$C_L = 15 \text{ pF}$		Units
		Min	Max	
$f_{\text{max}}$	Maximum Count Frequency	13		MHz
$t_{PLH}$ $t_{PHL}$	Propagation Delay CP to Q		32 39	ns
$t_{PLH}$ $t_{PHL}$	Propagation Delay CP to TC		66 30	ns
$t_{PLH}$ $t_{PHL}$	Propagation Delay CET to TC		35 30	ns
$t_{PHL}$	Propagation Delay, $\overline{MR}$ to Q		72	ns

## Functional Description

The 93L10 counts modulo-10 in the BCD (8421) sequence. From state 9 (HLLH) it increments to state 0 (LLLL). The 93L16 counts modulo-16 in binary sequence. From state 15 (HHHH) it increments to state 0 (LLLL). The clock inputs of all flip-flops are driven in parallel through a clock buffer. Thus all changes of the Q outputs (except due to Master Reset) occur as a result of, and synchronous with, the LOW-to-HIGH transition of the CP input signal. The circuits have four fundamental modes of operation, in order of precedence: asynchronous reset, parallel load, count-up and hold. Four control inputs—Master Reset ( $\overline{MR}$ ), Parallel Enable ( $\overline{PE}$ ), Count Enable Parallel (CEP) and Count Enable Trickle (CET)—determine the mode of operation, as shown in the Mode Select Table. A LOW signal on  $\overline{MR}$  overrides all other inputs and asynchronously forces all outputs LOW. A LOW signal on  $\overline{PE}$  overrides counting and allows information on the Parallel Data ( $P_n$ ) inputs to be loaded into the flip-flops on the next rising edge of CP. With  $\overline{PE}$  and  $\overline{MR}$  HIGH, CEP and CET permit counting when both are HIGH. Conversely, a LOW signal on either CEP or CET inhibits counting.

The 93L10 and 93L16 contain masterslave flip-flops which are “next-state catching” because of the JK feedback. This means that when CP is LOW, information that would change the state of a flip-flop, whether from the counting logic or the parallel entry logic if either mode is momentarily enabled, enters the master and is locked in. Thus to avoid inadvertently changing the state of a master latch, and the subsequent transfer of the erroneous information to the slave when the clock rises, it is necessary to insure that neither the counting mode, nor the parallel entry mode is momentarily enabled while CP is LOW.

The Terminal Count (TC) output is HIGH when CET is HIGH and the counter is in its maximum count state (9 for the decade counters, 15 for the binary counters—fully decoded in both types). To implement synchronous multistage counters, the TC outputs can be used with the CEP and CET inputs in two different ways. These two schemes are shown in *Figures a* and *b*. The TC output is subject to decoding

spikes due to internal race conditions and is therefore not recommended for use as a clock or asynchronous reset for flip-flops, counters or registers. If a decade counter is preset to an illegal state, or assumes an illegal state when power is applied, it will return to the normal sequence within two counts, as shown in the state diagrams.

### MULTISTAGE COUNTING

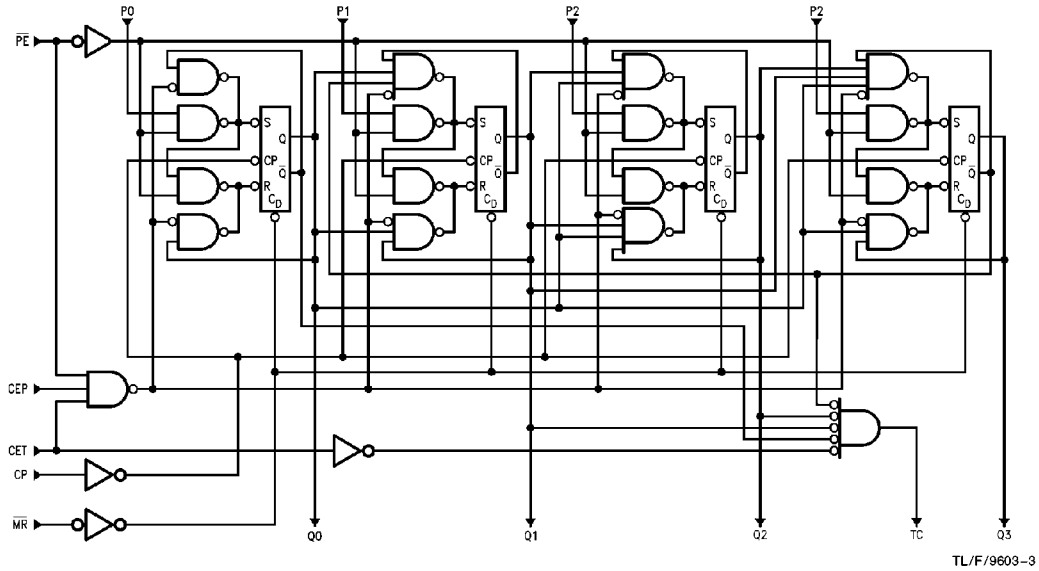
The ‘10/’16 counters may be cascaded to provide multistage synchronous counting. Two methods commonly used to cascade these counters are shown in *Figures a* and *b*.

In multistage counting, all less significant stages must be at their terminal count before the next more significant counter is enabled. The ‘10/’16 internally decodes the terminal count condition and “ANDs” it with the CET input to generate the terminal count (TC) output. This arrangement allows one to perform series enabling by connecting the TC output (enable signal) to the CET input of the following stage, *Figure a*. The setup requires very few interconnections, but has the following drawback: since it takes time for the enable to ripple through the counter stages, there is a reduction in maximum counting speed. To increase the counting rate, it is necessary to decrease the propagation delay of the TC signal, which is done in the second method.

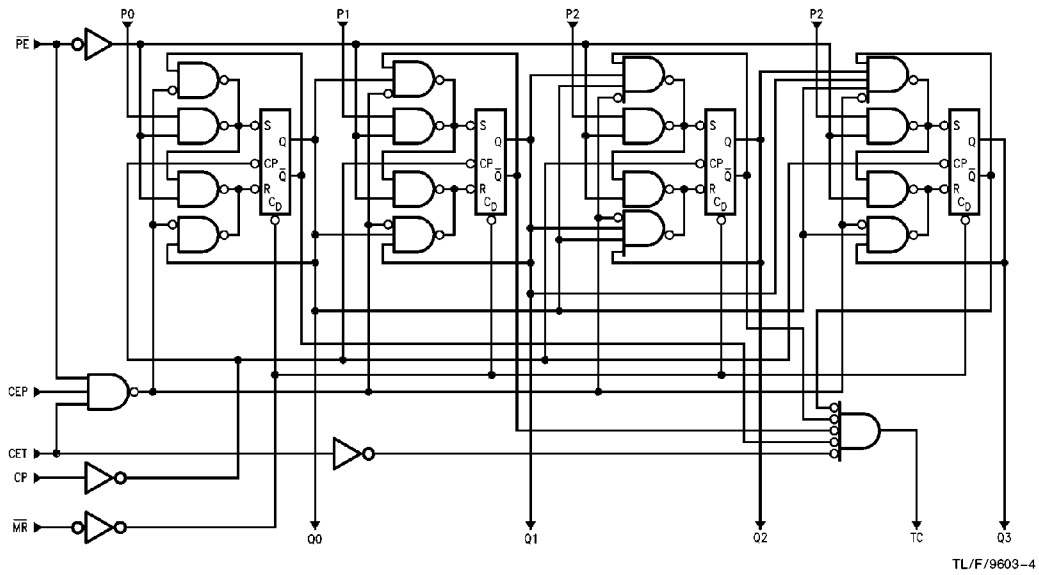
The scheme illustrated in *Figure b* permits multistage counting, limited by the fan-out of the terminal count. The CEP input of the ‘10/’16 is internally “ANDed” with the CET input and as a result, both must be HIGH for the counter to be enabled. The CET inputs are connected as before except for the second stage. There the CET input is left floating and is therefore HIGH. Also, all CEP inputs are connected to the terminal output of the first stage. The advantage of this method is best seen by assuming all stages except the second and last are in their terminal condition. As the second stage advances to its terminal count, an enable is allowed to trickle down to the last counter stage, but has the full cycle time of the first counter to reach it. Then as the TC of the first stage goes active (HIGH), all CEP inputs are activated, allowing all stages to count on the next clock.

# Logic Diagrams

## 93L10



## 93L16



Mode Select Table

Inputs					Response
MR	PE	CEP	CET	CP	
L	X	X	X	X	Clear; All Outputs LOW
H	L	X	X	↔	Parallel Load; P <sub>n</sub> → Q <sub>n</sub>
H	H	L	X	X	Hold
H	H	X	L	X	Hold; TC = LOW
H	H	H	H	↔	Count Up

H = HIGH Voltage Level  
 L = LOW Voltage Level  
 X = Immaterial

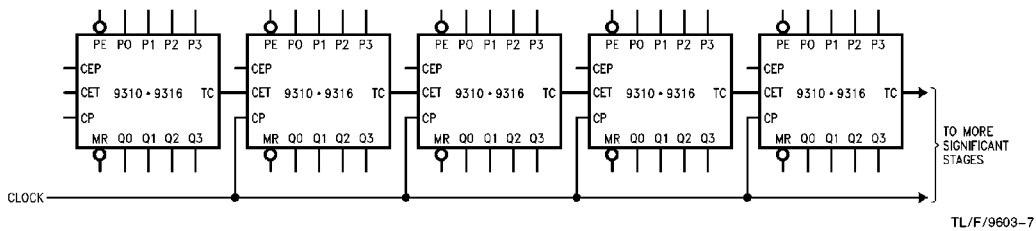
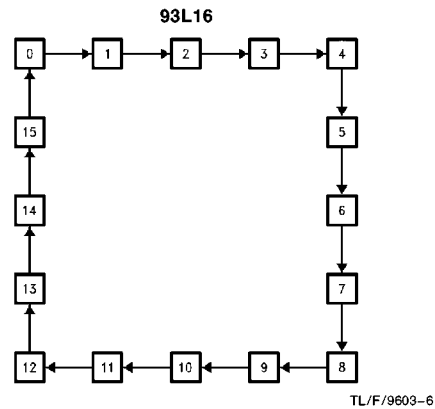
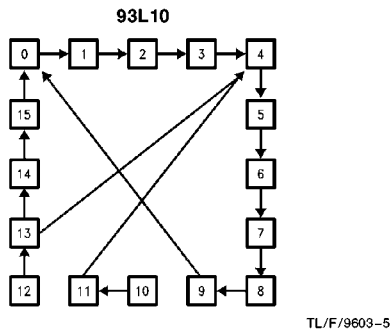
**Logic Equations**

Count Enable =  $MR \cdot PE \cdot CEP \cdot CET$

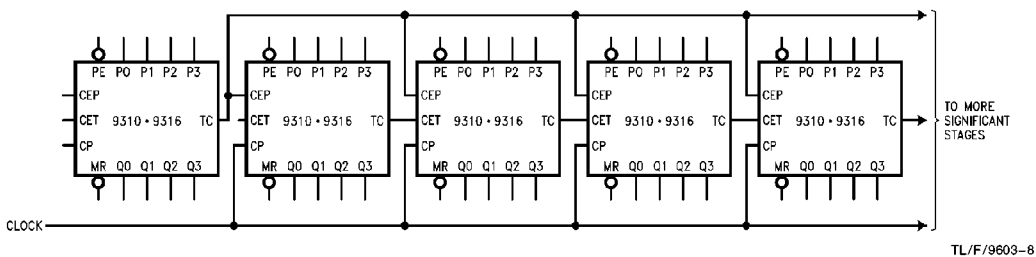
Terminal Count =  $CET \cdot Q_0 \cdot Q_1 \cdot Q_2 \cdot Q_3$  ('16)

Terminal Count =  $CET \cdot Q_0 \cdot \bar{Q}_1 \cdot \bar{Q}_2 \cdot Q_3$  ('10)

**State Diagrams**

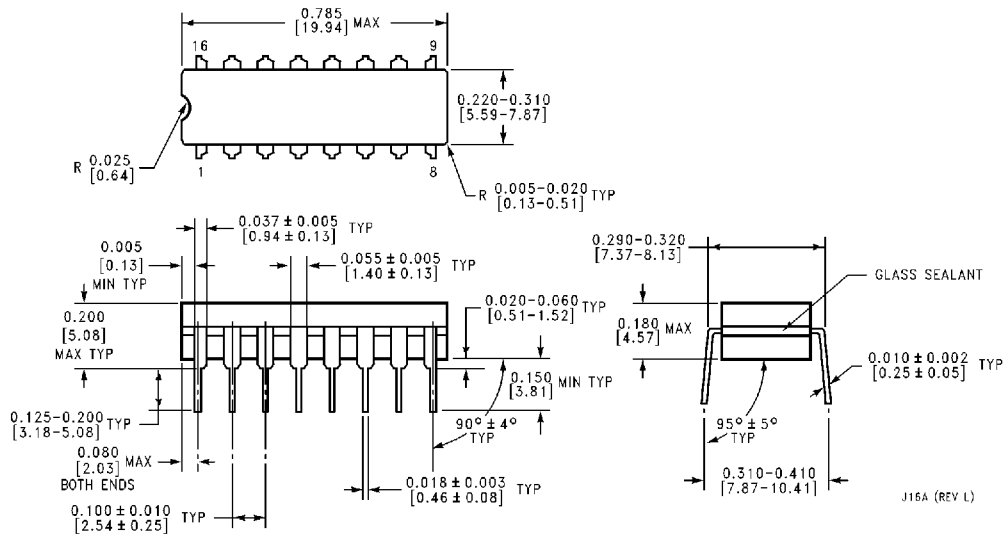


**FIGURE a. Synchronous Multistage Counting Scheme (Slow)**



**FIGURE b. Synchronous Multistage Counting Scheme (Fast)**

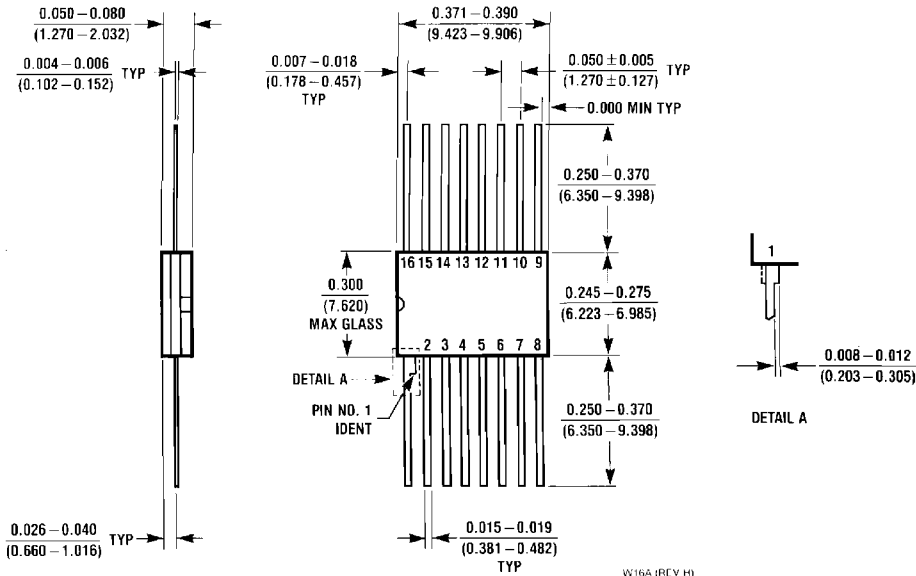
**Physical Dimensions** inches (millimeters)



**16-Lead Ceramic Dual-In-Line Package (J)**  
**Order Number 93L10DMQB or 93L16DMQB**  
**NS Package Number J16A**

J16A (REV L)

**Physical Dimensions** inches (millimeters) (Continued)



**16-Lead Ceramic Flat Package (W)**  
**Order Number 93L10FMQB or 93L16FMQB**  
**NS Package Number W16A**

**LIFE SUPPORT POLICY**

NATIONAL'S PRODUCTS ARE NOT AUTHORIZED FOR USE AS CRITICAL COMPONENTS IN LIFE SUPPORT DEVICES OR SYSTEMS WITHOUT THE EXPRESS WRITTEN APPROVAL OF THE PRESIDENT OF NATIONAL SEMICONDUCTOR CORPORATION. As used herein:

1. Life support devices or systems are devices or systems which, (a) are intended for surgical implant into the body, or (b) support or sustain life, and whose failure to perform, when properly used in accordance with instructions for use provided in the labeling, can be reasonably expected to result in a significant injury to the user.
2. A critical component is any component of a life support device or system whose failure to perform can be reasonably expected to cause the failure of the life support device or system, or to affect its safety or effectiveness.



**National Semiconductor Corporation**  
 1111 West Bardin Road  
 Arlington, TX 76017  
 Tel: 1(800) 272-9959  
 Fax: 1(800) 737-7018

**National Semiconductor Europe**  
 Fax: (+49) 0-180-530 85 86  
 Email: onjwge@tevm2.nsc.com  
 Deutsch Tel: (+49) 0-180-530 85 85  
 English Tel: (+49) 0-180-532 78 32  
 Français Tel: (+49) 0-180-532 93 58  
 Italiano Tel: (+49) 0-180-534 16 80

**National Semiconductor Hong Kong Ltd.**  
 13th Floor, Straight Block,  
 Ocean Centre, 5 Canton Rd.  
 Tsimshatsui, Kowloon  
 Hong Kong  
 Tel: (852) 2737-1600  
 Fax: (852) 2736-9960

**National Semiconductor Japan Ltd.**  
 Tel: 81-043-299-2309  
 Fax: 81-043-299-2408

National does not assume any responsibility for use of any circuitry described, no circuit patent licenses are implied and National reserves the right at any time without notice to change said circuitry and specifications.