

SN54ALS190, SN54ALS191, SN74ALS190, SN74ALS191 SYNCHRONOUS 4-BIT UP/DOWN DECADE AND BINARY COUNTERS

SDAS210 – D2661, DECEMBER 1982 – REVISED MAY 1986

- Single Down/Up Count Control Line
- Look-Ahead Circuitry Enhances Speed of Cascaded Counters
- Fully Synchronous in Count Modes
- Asynchronously Presetable With Load Control
- Package Options Include Plastic Small Outline Packages, Ceramic Chip Carriers, and Standard Plastic and Ceramic 300-mil DIPs
- Dependable Texas Instruments Quality and Reliability

description

The 'ALS190 and 'ALS191 are synchronous, reversible up/down counters. The 'ALS190 is a 4-bit decade counter and the 'ALS191 is a 4-bit binary counter. Synchronous counting operation is provided by having all flip-flops clocked simultaneously so that the outputs change coincident with each other when so instructed by the steering logic. This mode of operation eliminates the output counting spikes normally associated with asynchronous (ripple clock) counters.

The outputs of the four flip-flops are triggered on a low-to-high-level transition of the clock input if the enable input \overline{CTEN} is low. A high at \overline{CTEN} inhibits counting. The direction of the count is determined by the level of the down/up D/\overline{U} input. When D/\overline{U} is low, the counter counts up and when D/\overline{U} is high, it counts down.

These counters feature a fully independent clock circuit. Changes at the control inputs (\overline{CTEN} and D/\overline{U}) that will modify the operating mode have no effect on the contents of the counter until clocking occurs. The function of the counter will be dictated solely by the condition meeting the stable setup and hold times.

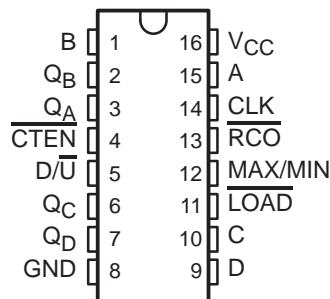
These counters are fully programmable; that is, the outputs may each be preset to either level by placing a low on the load input and entering the desired data at the data inputs. The output will change to agree with the data inputs independently of the level of the clock input. This feature allows the counters to be used as modulo-N dividers by simply modifying the count length with the preset inputs.

The CLK, D/\overline{U} , and LOAD inputs are buffered to lower the drive requirement, which significantly reduces the loading on, or current required by, clock drivers, etc., for long parallel words.

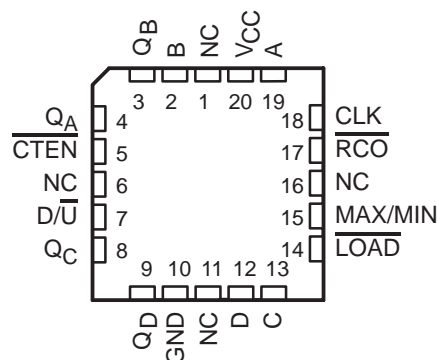
Two outputs have been made available to perform the cascading function: ripple clock and maximum/minimum count. The latter output produces a high-level output pulse with a duration approximately equal to one complete cycle of the clock while the count is zero (all outputs low) counting down or maximum (9 or 15) counting up. The ripple clock output produces a low-level output pulse under those same conditions but only while the clock input is low. The counters can be easily cascaded by feeding the ripple clock output to the enable input of the succeeding counter if parallel clocking is used, or to the clock input if parallel enabling is used. The maximum/minimum count output can be used to accomplish look-ahead for high-speed operation.

The SN54ALS190 and SN54ALS191 are characterized for operation over the full military temperature range of -55°C to 125°C . The SN74ALS190 and SN74ALS191 are characterized for operation from 0°C to 70°C .

SN54ALS190, SN54ALS191 . . . J PACKAGE
SN74ALS190, SN74ALS191 . . . D OR N PACKAGE
(TOP VIEW)



SN54ALS190, SN54ALS191 . . . FK PACKAGE
(TOP VIEW)

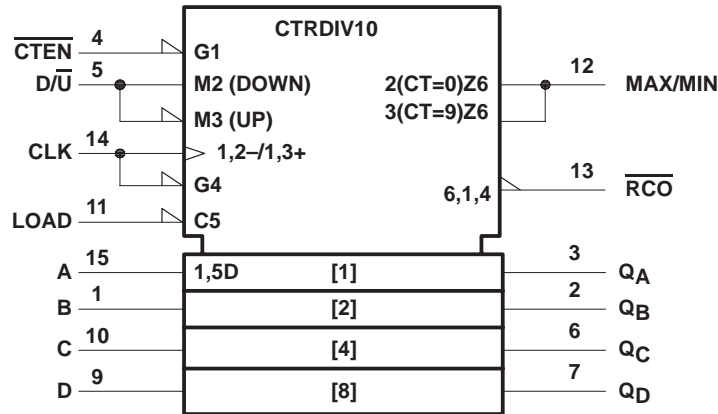


NC—No internal connection

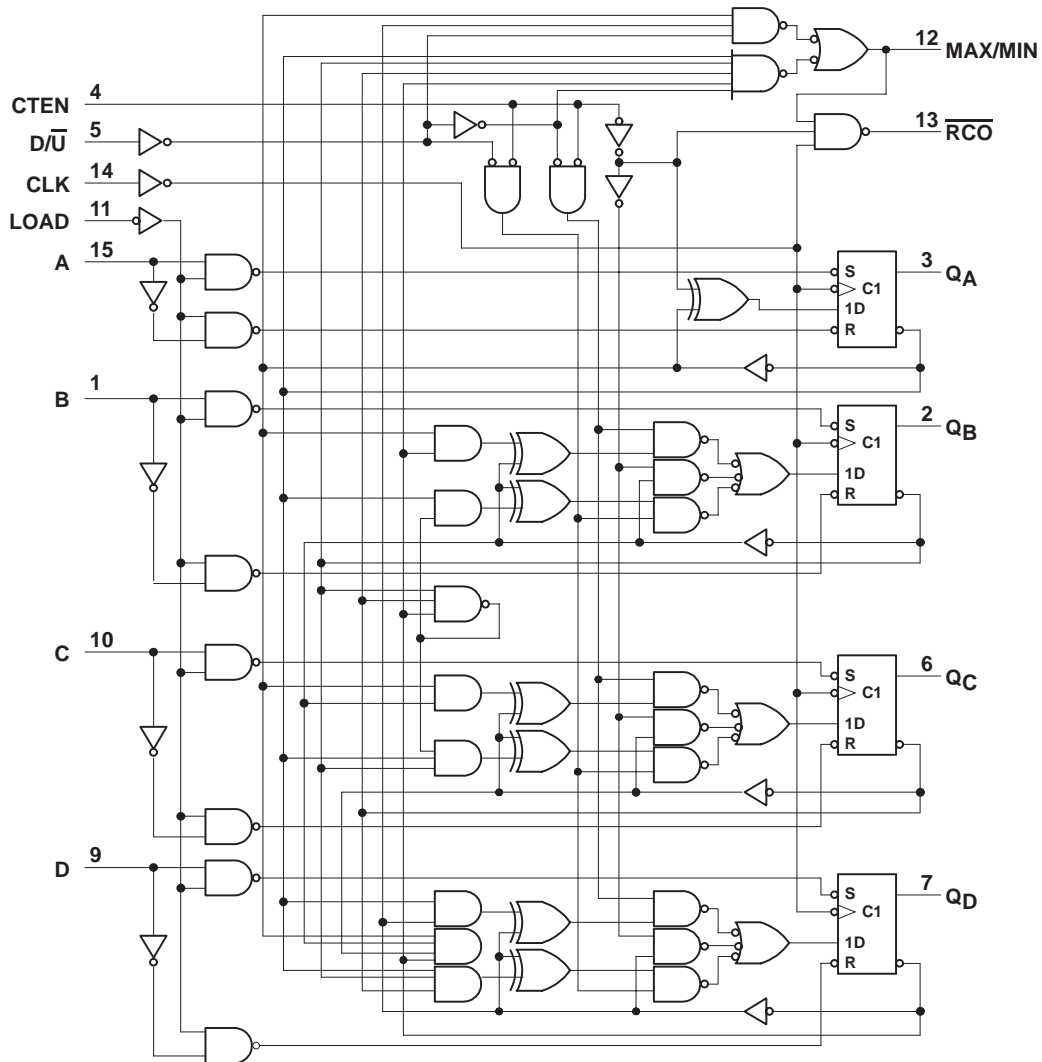
SN54ALS190, SN54ALS190 SYNCHRONOUS 4-BIT UP/DOWN DECADE COUNTERS

SDAS210 – D2661, DECEMBER 1982 – REVISED MAY 1986

'ALS190 logic symbol†



'ALS190 logic diagram (positive logic)

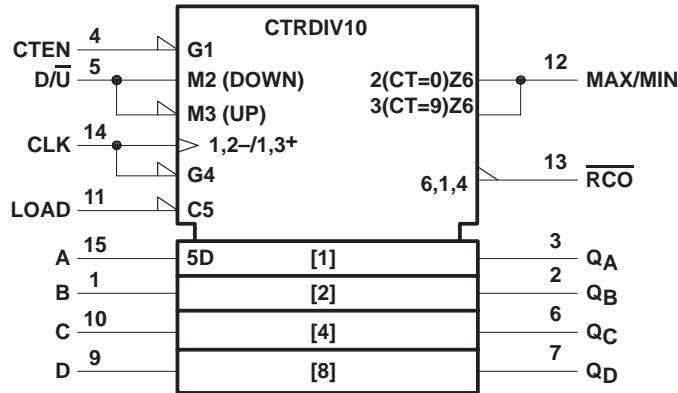


† This symbol is in accordance with ANSI/IEEE Std 91-1984 and IEC Publication 617-12. Pin numbers shown are for D, J, and N packages.

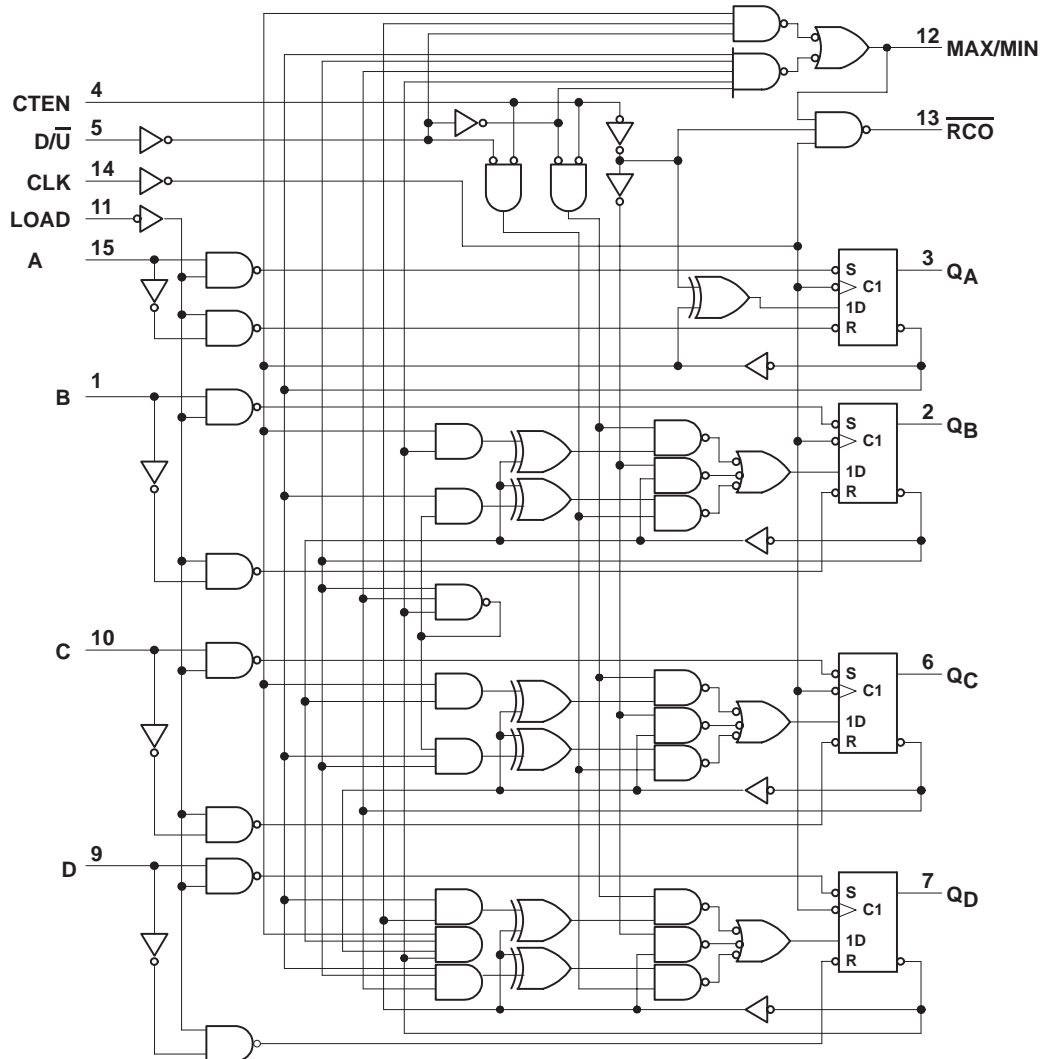
SN54ALS191, SN54ALS191 SYNCHRONOUS 4-BIT UP/DOWN DECADE COUNTERS

SDAS210 – D2661, DECEMBER 1982 – REVISED MAY 1986

'ALS191 logic symbol†



'ALS191 logic diagram (positive logic)



† This symbol is in accordance with ANSI/IEEE Std 91-1984 and IEC Publication 617-12. Pin numbers shown are for D, J, and N packages.

SN54ALS190, SN54ALS190 SYNCHRONOUS 4-BIT UP/DOWN DECADE COUNTERS

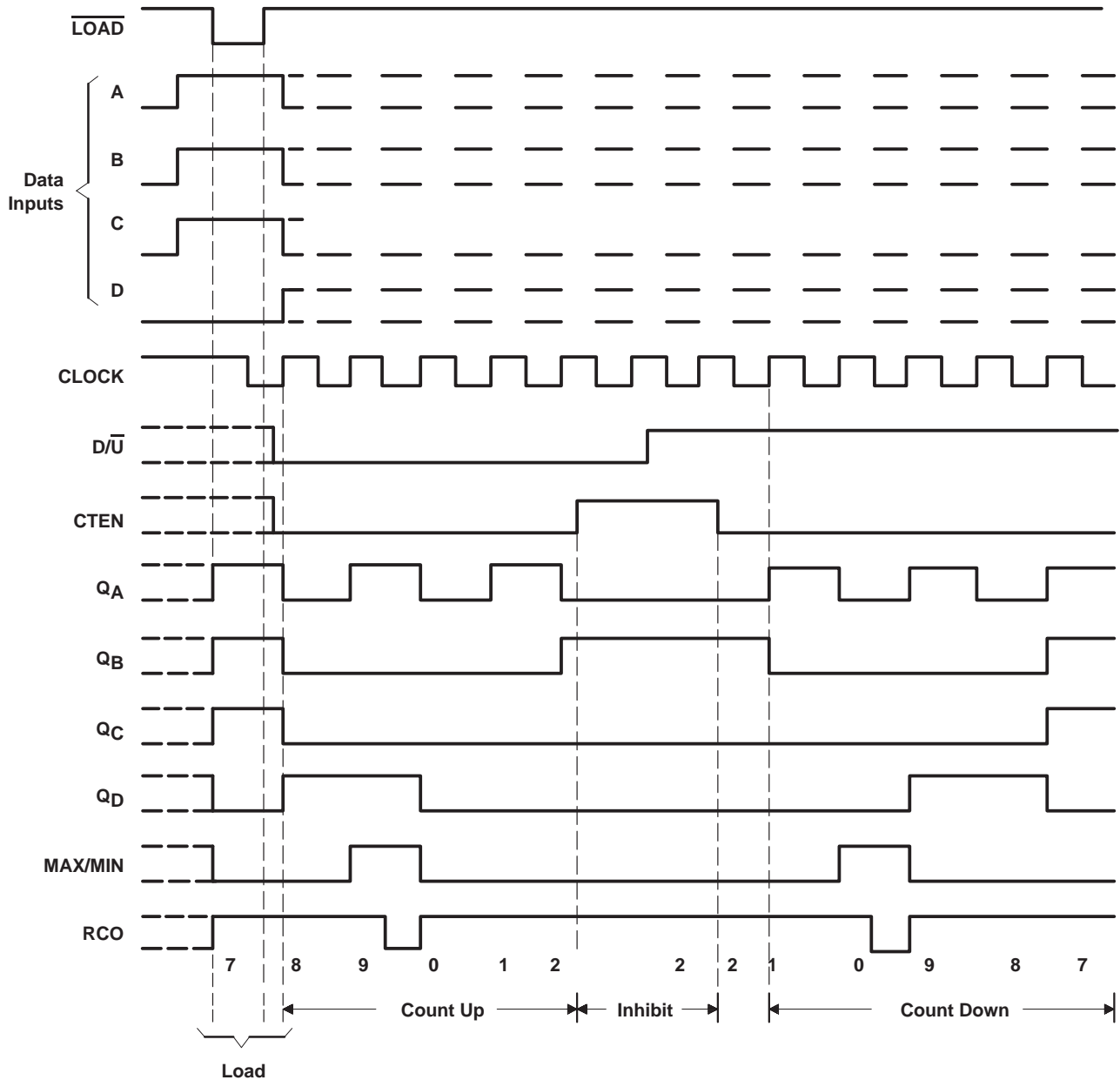
SDAS210 – D2661, DECEMBER 1982 – REVISED MAY 1986

typical load, count, and inhibit sequences

'ALS190

Illustrated below is the following sequence:

1. Load (preset) to BCD seven
2. Count up to eight, nine (maximum), zero, one, and two
3. Inhibit
4. Count down to one, zero (minimum), nine, eight, and seven



SN54ALS191, SN54ALS191 SYNCHRONOUS 4-BIT UP/DOWN DECADE COUNTERS

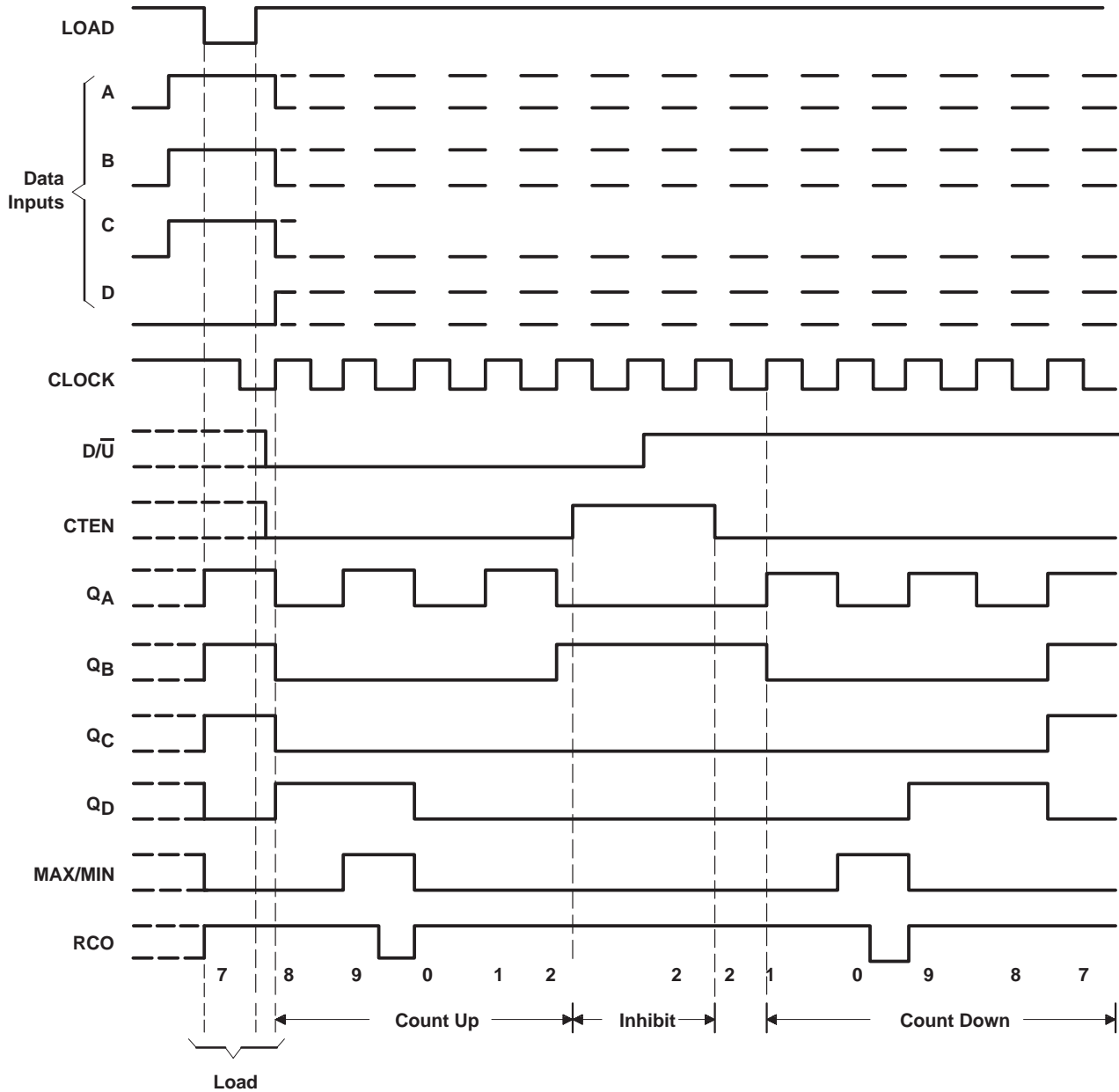
SDAS210 – D2661, DECEMBER 1982 – REVISED MAY 1986

typical load, count, and inhibit sequences

'ALS191

Illustrated below is the following sequence:

1. Load (preset) to BCD seven
2. Count up to eight, nine (maximum), zero, one, and two
3. Inhibit
4. Count down to one, zero (minimum), nine, eight, and seven



SN54ALS190, SN54ALS191, SN74ALS190, SN74ALS191 SYNCHRONOUS 4-BIT UP/DOWN DECADE COUNTERS

SDAS210 – D2661, DECEMBER 1982 – REVISED MAY 1986

absolute maximum ratings over operating free-air temperature range (unless otherwise noted)

Supply voltage, V_{CC}	7 V
Input voltage	7 V
Operating free-air temperature range: SN54ALS190, SN54ALS191	-55°C to 125°C
SN74ALS190, SN74ALS191	0°C to 70°C
Storage temperature range	-65°C to 150°C

recommended operating conditions

		SN54ALS190 SN54ALS191			SN74ALS190 SN74ALS191			UNIT
		MIN	NOM	MAX	MIN	NOM	MAX	
V_{CC}	Supply voltage	4.5	5	5.5	4.5	5	5.5	V
V_{IH}	High-level input voltage	2			2			V
V_{IL}	Low-level input voltage			0.7			0.8	V
I_{OH}	High-level output current			-0.4			-0.4	mA
I_{OL}	Low-level output current			4			8	mA
f_{clock}	Clock frequency	'ALS190		0	20	0	25	MHz
		'ALS191		0	20	0	30	
t_w	Pulse duration	CLK high or low	'AS190	25		20		ns
			'AS191	20		16.5		
		LOAD low	25		20			
t_{su}	Setup time	Data before LOAD↑		25		20		ns
		CTEN before CLK↑		45		20		
		D/U before CLK↑		45		20		
		LOAD inactive before CLK↑		20		20		
t_{sh}	Hold time	Data after LOAD↑		5		5		ns
		CTEN after CLK↑		0		0		
		D/U after CLK↑		0		0		
T_A	Operating free-air temperature	-55		125	0		70	°C

electrical characteristics over recommended operating free-air temperature range (unless otherwise noted)

PARAMETER	TEST CONDITIONS	SN54ALS190 SN54ALS191			SN74ALS190 SN74ALS191			UNIT
		MIN	TYP†	MAX	MIN	TYP†	MAX	
V_{IK}	$V_{CC} = 4.5\text{ V}$, $I_I = -18\text{ mA}$			-1.5			-1.5	V
V_{OH}	$V_{CC} = 4.5\text{ V to } 5.5\text{ V}$, $I_{OH} = -0.4\text{ mA}$	$V_{CC}-2$			$V_{CC}-2$			V
V_{OL}	$V_{CC} = 4.5\text{ V}$, $I_{OL} = 4\text{ mA}$		0.25	0.5		0.25	0.4	V
	$V_{CC} = 4.5\text{ V}$, $I_{OL} = 8\text{ mA}$					0.35	0.5	
I_I	$V_{CC} = 5.5\text{ V}$, $V_I = 7\text{ V}$			0.1			0.1	mA
I_{IH}	$V_{CC} = 5.5\text{ V}$, $V_I = 2.7\text{ V}$			20			20	μA
I_{IL}	CTEN OR CLK All others	$V_{CC} = 5.5\text{ V}$, $V_I = 0.4\text{ V}$		-0.2			-0.2	mA
				-0.1			-0.1	
$I_{O\ddagger}$	$V_{CC} = 5.5\text{ V}$, $V_O = 2.25\text{ V}$	-30		-112	-30		-112	mA
I_{CC}	$V_{CC} = 5.5\text{ V}$, All inputs at 0 V		12	22		12	22	mA

† All typical values are at $V_{CC} = 5\text{ V}$, $T_A = 25^\circ\text{C}$.

‡ The output conditions have been chosen to produce a current that closely approximates one half of the true short-circuit output current, I_{OS} .



SN54ALS190, SN54ALS191, SN74ALS190, SN74ALS191 SYNCHRONOUS 4-BIT UP/DOWN DECADE COUNTERS

SDAS210 – D2661, DECEMBER 1982 – REVISED MAY 1986

switching characteristics (see Note 1)

PARAMETER	FROM (INPUT)	TO (OUTPUT)	V _{CC} = 4.5 V to 5.5 V, C _L = 50 pF, R _L = 500 Ω, T _A = MIN to MAX				UNIT
			SN54ALS190 SN54ALS191		SN74ALS190 SN74ALS191		
			MIN	MAX	MIN	MAX	
f _{max}	'ALS190		20		25		MHz
	'ALS191		20		30		
t _{PLH}	LOAD	Any Q	7	37	8	30	ns
t _{PHL}			8	34	8	30	
t _{PLH}	A, B, C, D	Any Q	4	25	4	21	ns
t _{PHL}			4	25	5	21	
t _{PLH}	CLK	RCO	5	24	5	20	ns
t _{PHL}			5	25	5	20	
t _{PLH}	CLK	Any Q	3	26	3	18	ns
t _{PHL}			3	22	3	18	
t _{PLH}	CLK	MAX/MIN	8	37	8	31	ns
t _{PHL}			8	34	8	31	
t _{PLH}	D/Ū	RCO	12	45	15	37	ns
t _{PHL}			10	36	10	28	
t _{PLH}	D/Ū	MAX/MIN	8	35	8	25	ns
t _{PHL}			8	30	8	25	
t _{PLH}	CTEN	RCO	4	21	4	18	ns
t _{PHL}			4	23	4	18	

NOTE 1: Load circuit and voltage waveforms are shown in Section 1.

IMPORTANT NOTICE

Texas Instruments and its subsidiaries (TI) reserve the right to make changes to their products or to discontinue any product or service without notice, and advise customers to obtain the latest version of relevant information to verify, before placing orders, that information being relied on is current and complete. All products are sold subject to the terms and conditions of sale supplied at the time of order acknowledgement, including those pertaining to warranty, patent infringement, and limitation of liability.

TI warrants performance of its semiconductor products to the specifications applicable at the time of sale in accordance with TI's standard warranty. Testing and other quality control techniques are utilized to the extent TI deems necessary to support this warranty. Specific testing of all parameters of each device is not necessarily performed, except those mandated by government requirements.

CERTAIN APPLICATIONS USING SEMICONDUCTOR PRODUCTS MAY INVOLVE POTENTIAL RISKS OF DEATH, PERSONAL INJURY, OR SEVERE PROPERTY OR ENVIRONMENTAL DAMAGE ("CRITICAL APPLICATIONS"). TI SEMICONDUCTOR PRODUCTS ARE NOT DESIGNED, AUTHORIZED, OR WARRANTED TO BE SUITABLE FOR USE IN LIFE-SUPPORT DEVICES OR SYSTEMS OR OTHER CRITICAL APPLICATIONS. INCLUSION OF TI PRODUCTS IN SUCH APPLICATIONS IS UNDERSTOOD TO BE FULLY AT THE CUSTOMER'S RISK.

In order to minimize risks associated with the customer's applications, adequate design and operating safeguards must be provided by the customer to minimize inherent or procedural hazards.

TI assumes no liability for applications assistance or customer product design. TI does not warrant or represent that any license, either express or implied, is granted under any patent right, copyright, mask work right, or other intellectual property right of TI covering or relating to any combination, machine, or process in which such semiconductor products or services might be or are used. TI's publication of information regarding any third party's products or services does not constitute TI's approval, warranty or endorsement thereof.