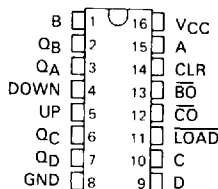


SN74ALS193, SN54ALS193 SYNCHRONOUS 4-BIT UP/DOWN COUNTERS (DUAL CLOCK WITH CLEAR)

D2661, DECEMBER 1982 - REVISED MAY 1986

- Look-Ahead Circuitry Enhances Cascaded Counters
- Fully Synchronous in Count Modes
- Parallel Asynchronous Load for Modulo-N Count Lengths
- Asynchronous Clear
- Package Options Include Plastic "Small Outline" Packages, Ceramic Chip Carriers, and Standard Plastic and Ceramic 300-mil DIPs
- Dependable Texas Instruments Quality and Reliability

SN54ALS193 ... J PACKAGE
SN74ALS193 ... D OR N PACKAGE
(TOP VIEW)



description

The 'ALS193 is a synchronous, reversible, 4-bit binary up/down counter. Synchronous operation is provided by having all flip-flops clocked simultaneously so that the outputs change coincidentally with each other when so instructed by the steering logic. This mode of operation eliminates the output counting spikes normally associated with asynchronous (ripple clock) counters.

The outputs of the four flip-flops are triggered by a low-to-high-level transition of either count (clock) input (Up or Down). The direction of counting is determined by which count input is pulsed while the other count input is high.

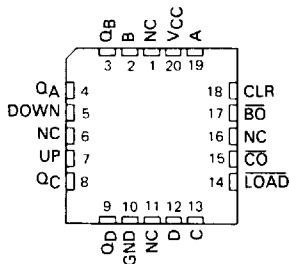
All four counters are fully programmable; that is, each output may be preset to either level by placing a low on the load input and entering the desired data at the data inputs. The output will change to agree with the data inputs independently of the count pulses. This feature allows the counters to be used as modulo-N dividers by simply modifying the count length with the preset inputs.

A clear has been provided that forces all outputs to the low level when a high level is applied. The clear function is independent of the count and the load inputs. The clock, count, and load inputs are buffered to lower the drive requirements. This significantly reduces the loading on clock drivers, etc., for long parallel words.

These counters were designed to be cascaded without the need for external circuitry. The borrow output (BO) produces a low-level pulse while the count is zero (all outputs low) and the count-down input is low. Similarly, the carry output (CO) produces a low-level pulse while the count is maximum (15) and the count-up input is low. The counters can then be easily cascaded by feeding the borrow and carry outputs to the count-down and count-up inputs, respectively, of the succeeding counter.

The SN54ALS193 is characterized for operation over the full military temperature range of -55°C to 125°C. The SN74ALS193 is characterized for operation from 0°C to 70°C.

SN54ALS192, SN54ALS193 FK PACKAGE
(TOP VIEW)



NC - no internal connection

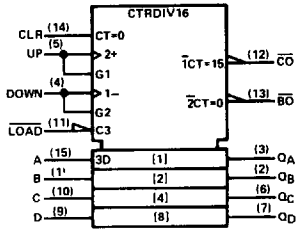
PRODUCTION DATA documents contain information current as of publication date. Products conform to specifications per the terms of Texas Instruments standard warranty. Production processing does not necessarily include testing of all parameters.



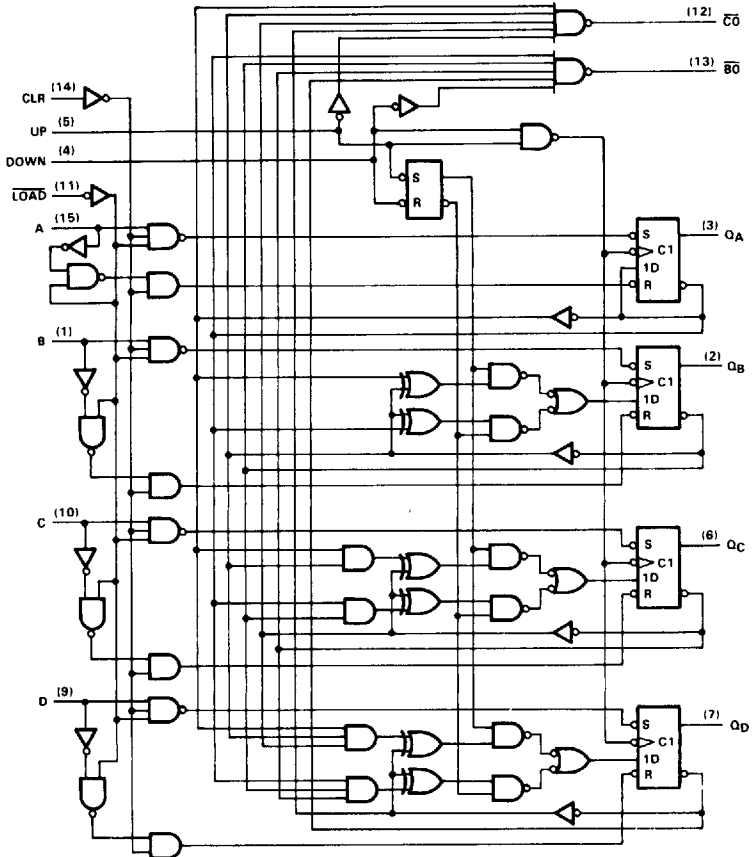
Copyright © 1982, Texas Instruments Incorporated

SN74ALS193, SN54ALS193
SYNCHRONOUS 4-BIT UP/DOWN BINARY COUNTERS (DUAL CLOCK WITH CLEAR)

'ALS193 logic symbol†



'ALS193 logic diagrams (positive logic)



†This symbol is in accordance with ANSI/IEEE Std 91-1984 and IEC Publication 617-12.
 Pin numbers shown are for D, J, and N packages.



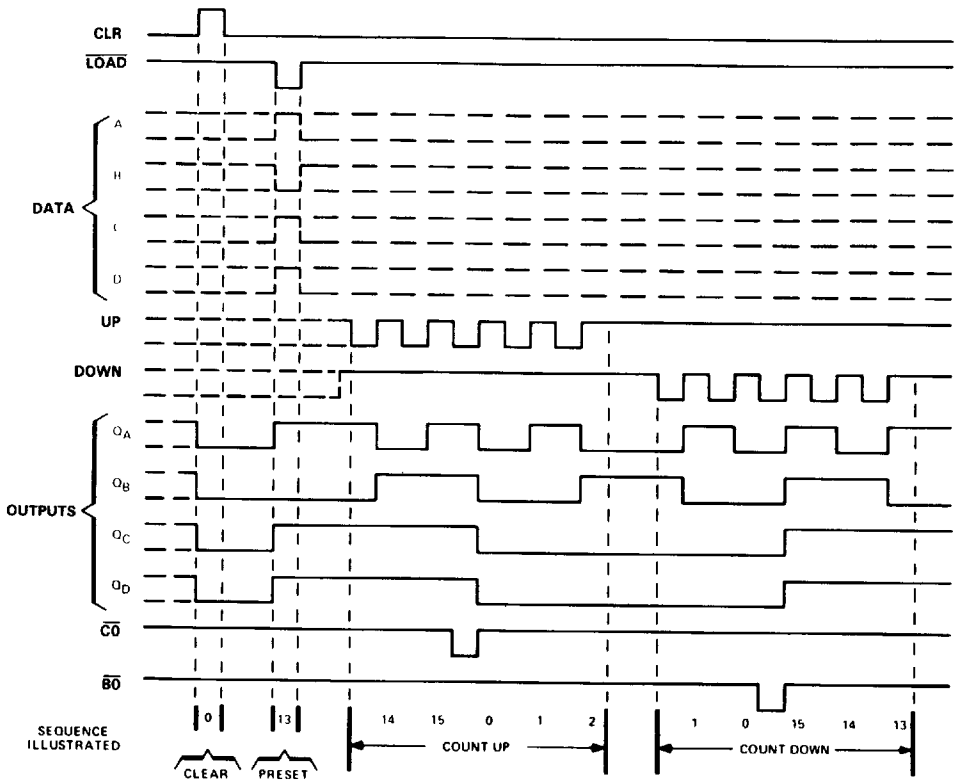
SN74ALS193, SN54ALS193
SYNCHRONOUS 4-BIT UP/DOWN BINARY COUNTERS (DUAL CLOCK WITH CLEAR)

typical clear, load, and count sequences

'ALS193

Illustrated below is the following sequence.

1. Clear outputs to zero.
2. Load (preset) to binary thirteen.
3. Count up to fourteen, fifteen, carry, zero, one, and two.
4. Count down to one, zero, borrow, fifteen, fourteen, and thirteen.



- NOTES
- A Clear overrides load, data, and count inputs.
 - B When counting up, count down input must be high when counting down, count up input must be high.

SN74ALS193, SN54ALS193 SYNCHRONOUS 4-BIT UP/DOWN BINARY COUNTERS (DUAL CLOCK WITH CLEAR)

absolute maximum ratings over operating free-air temperature range (unless otherwise noted)

Supply voltage, V_{CC}	7 V
Input voltage	7 V
Operating free-air temperature range: SN54ALS193	-55°C to 125°C
SN74ALS193	0°C to 70°C
Storage temperature range	-65°C to 150°C

recommended operating conditions

		SN54ALS193			SN74ALS193			UNIT
		MIN	NOM	MAX	MIN	NOM	MAX	
V_{CC}	Supply voltage	4.5	5	5.5	4.5	5	5.5	V
V_{IH}	High-level input voltage	2			2			V
V_{IL}	Low-level input voltage			0.7				0.8 V
I_{OH}	High-level output current			-0.4			-0.4	mA
I_{OL}	Low-level output current			4			8	mA
f_{clock}	Clock frequency	0		20	0		30	MHz
t_w	Pulse duration	CLR high		10		10		ns
		LOAD low		25		20		
		UP or DOWN high or low		30		16.5		
t_{su}	Setup time	Data before LOAD \dagger		25		20		ns
		CLR inactive before UP \dagger or DOWN \dagger		20		20		
		LOAD inactive before UP \dagger or DOWN \dagger		20		20		
		UP high before DOWN \dagger		17		17		
		DOWN high before UP \dagger		15		15		
t_h	Hold time	Data after LOAD \dagger		5		5		ns
		Up high after DOWN \dagger		5		5		
		DOWN high after UP \dagger		8		8		
T_A	Operating free-air temperature	-55		125	0		70	°C

electrical characteristics over recommended operating free-air temperature range (unless otherwise noted)

PARAMETER	TEST CONDITIONS	SN54ALS193			SN74ALS193			UNIT	
		MIN	TYP \dagger	MAX	MIN	TYP \dagger	MAX		
V_{IK}	$V_{CC} = 4.5 V$, $I_I = -18 mA$			-1.5			-1.5	V	
V_{OH}	$V_{CC} = 4.5 V$ to 5.5 V, $I_{OH} = -0.4 mA$	$V_{CC}-2$			$V_{CC}-2$			V	
V_{OL}	$V_{CC} = 4.5 V$, $I_{OL} = 4 mA$		0.25	0.4		0.25	0.4	V	
	$V_{CC} = 4.5 V$, $I_{OL} = 8 mA$					0.35	0.5		
I_I	$V_{CC} = 5.5 V$, $V_I = 7 V$			0.1			0.1	mA	
I_{IH}	$V_{CC} = 5.5 V$, $V_I = 2.7 V$			20			20	μA	
I_{IL}	UP, DOWN All others	$V_{CC} = 5.5 V$, $V_I = 0.4 V$			-0.2			-0.2	mA
					-0.1			-0.1	
$I_{O\pm}$	$V_{CC} = 5.5 V$, $V_O = 2.25 V$	-30		-112	-30		-112	mA	
I_{CC}	$V_{CC} = 5.5 V$, See Note 1		12	22		12	22	mA	

\dagger All typical values are at $V_{CC} = 5 V$, $T_A = 25^\circ C$

\ddagger The output conditions have been chosen to produce a current that closely approximates one half of the true short-circuit output current, I_{OS}

NOTE 1 I_{CC} is measured with the clear and load inputs grounded, and all other inputs at 4.5 V

SN74ALS193, SN54ALS193
SYNCHRONOUS 4-BIT UP/DOWN BINARY COUNTERS (DUAL CLOCK WITH CLEAR)

switching characteristics (see Note 2)

PARAMETER	FROM (INPUT)	TO (OUTPUT)	V _{CC} = 4.5 V to 5.5 V, C _L = 50 pF, R _L = 500 Ω, T _A = MIN to MAX				UNIT
			SN54ALS193		SN74ALS193		
			MIN	MAX	MIN	MAX	
t _{max}			25		30		MHz
t _{PLH}	UP	CO	3	20	4	16	ns
t _{PHL}			3	21	5	18	
t _{PLH}	Down	BO	4	20	4	16	ns
t _{PHL}			5	22	5	18	
t _{PLH}	Up or DOWN	Any Q	4	27	4	19	ns
t _{PHL}			4	23	4	17	
t _{PLH}	LOAD	Any Q	8	38	8	30	ns
t _{PHL}			8	37	8	28	
t _{PHL}	CLR	Any Q	5	20	5	17	ns

Note 2: Load circuit and voltage waveforms are shown in Section 1.