

# 74HC40103

## 8-bit synchronous binary down counter

Rev. 5 — 21 April 2016

Product data sheet

### 1. General description

---

The 74HC40103 is an 8-bit synchronous down counter. It has control inputs for enabling or disabling the clock (CP), for clearing the counter to its maximum count and for presetting the counter either synchronously or asynchronously. In normal operation, the counter is decremented by one count on each positive-going transition of the clock (CP). Counting is inhibited when the terminal enable input ( $\overline{TE}$ ) is HIGH. The terminal count output ( $\overline{TC}$ ) goes LOW when the count reaches zero if  $\overline{TE}$  is LOW, and remains LOW for one full clock period. When the synchronous preset enable input ( $\overline{PE}$ ) is LOW, data at the jam input (P0 to P7) is clocked into the counter on the next positive-going clock transition regardless of the state of  $\overline{TE}$ . When the asynchronous preset enable input ( $\overline{PL}$ ) is LOW, data at the jam input (P0 to P7) is asynchronously forced into the counter regardless of the state of  $\overline{PE}$ ,  $\overline{TE}$ , or CP. The jam inputs (P0 to P7) represent a single 8-bit binary word. When the master reset input ( $\overline{MR}$ ) is LOW, the counter is asynchronously cleared to its maximum count (decimal 255) regardless of the state of any other input. If all control inputs except  $\overline{TE}$  are HIGH at the time of zero count, the counters will jump to the maximum count, giving a counting sequence of 256 clock pulses long. Device may be cascaded using the  $\overline{TE}$  input and the TC output, in either a synchronous or ripple mode. Inputs include clamp diodes. This enables the use of current limiting resistors to interface inputs to voltages in excess of  $V_{CC}$ .

### 2. Features and benefits

---

- Cascadable
- Synchronous or asynchronous preset
- Low-power dissipation
- Complies with JEDEC standard no. 7A
- CMOS input levels
- ESD protection:
  - ◆ HBM JESD22-A114F exceeds 2000 V
  - ◆ MM JESD22-A115-A exceeds 200 V
- Multiple package options
- Specified from  $-40\text{ }^{\circ}\text{C}$  to  $+80\text{ }^{\circ}\text{C}$  and from  $-40\text{ }^{\circ}\text{C}$  to  $+125\text{ }^{\circ}\text{C}$

### 3. Applications

---

- Divide-by-n counters
- Programmable timers
- Interrupt timers
- Cycle/program counters.



### 4. Ordering information

Table 1. Ordering information

Type number	Package			Version
	Temperature range	Name	Description	
74HC40103D	-40 °C to +125 °C	SO16	plastic small outline package; 16 leads; body width 3.9 mm	SOT109-1
74HC40103PW	-40 °C to +125 °C	TSSOP16	plastic thin shrink small outline package; 16 leads; body width 4.4 mm	SOT403-1

### 5. Functional diagram

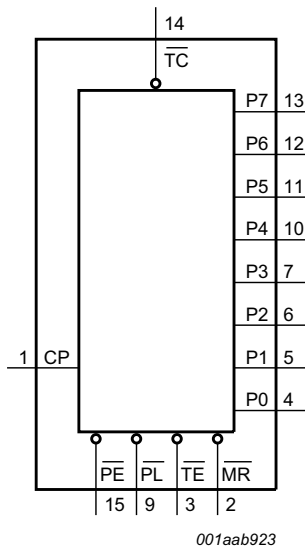


Fig 1. Functional diagram

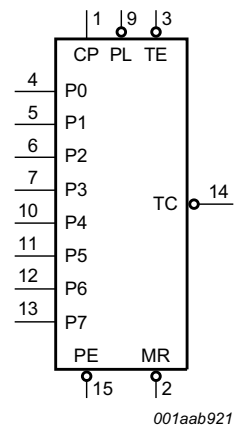


Fig 2. Logic symbol

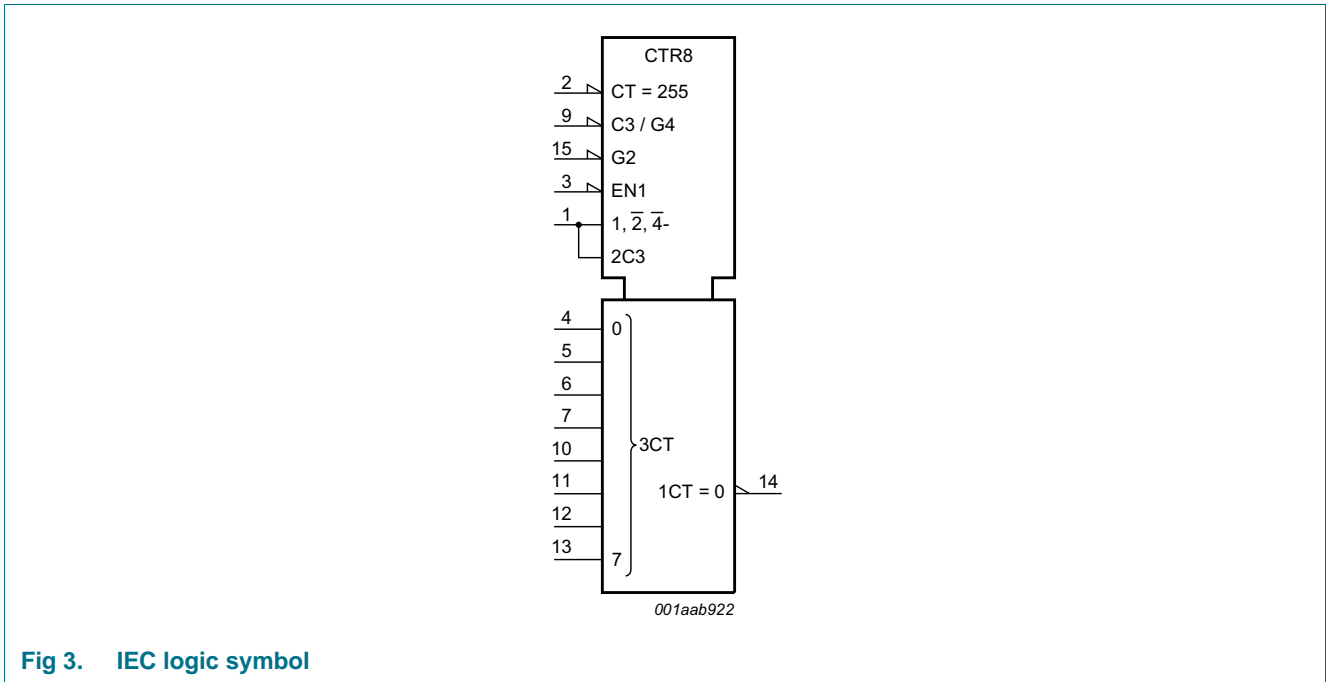


Fig 3. IEC logic symbol

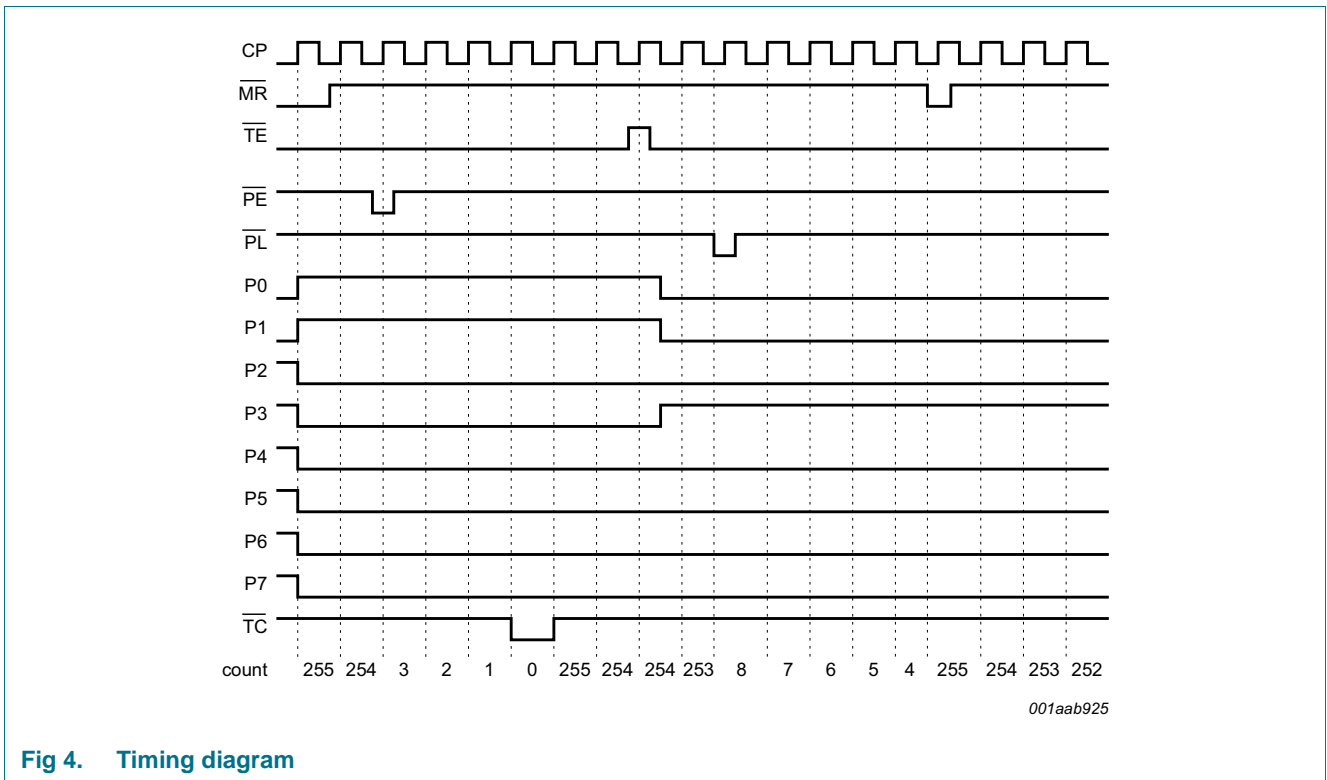
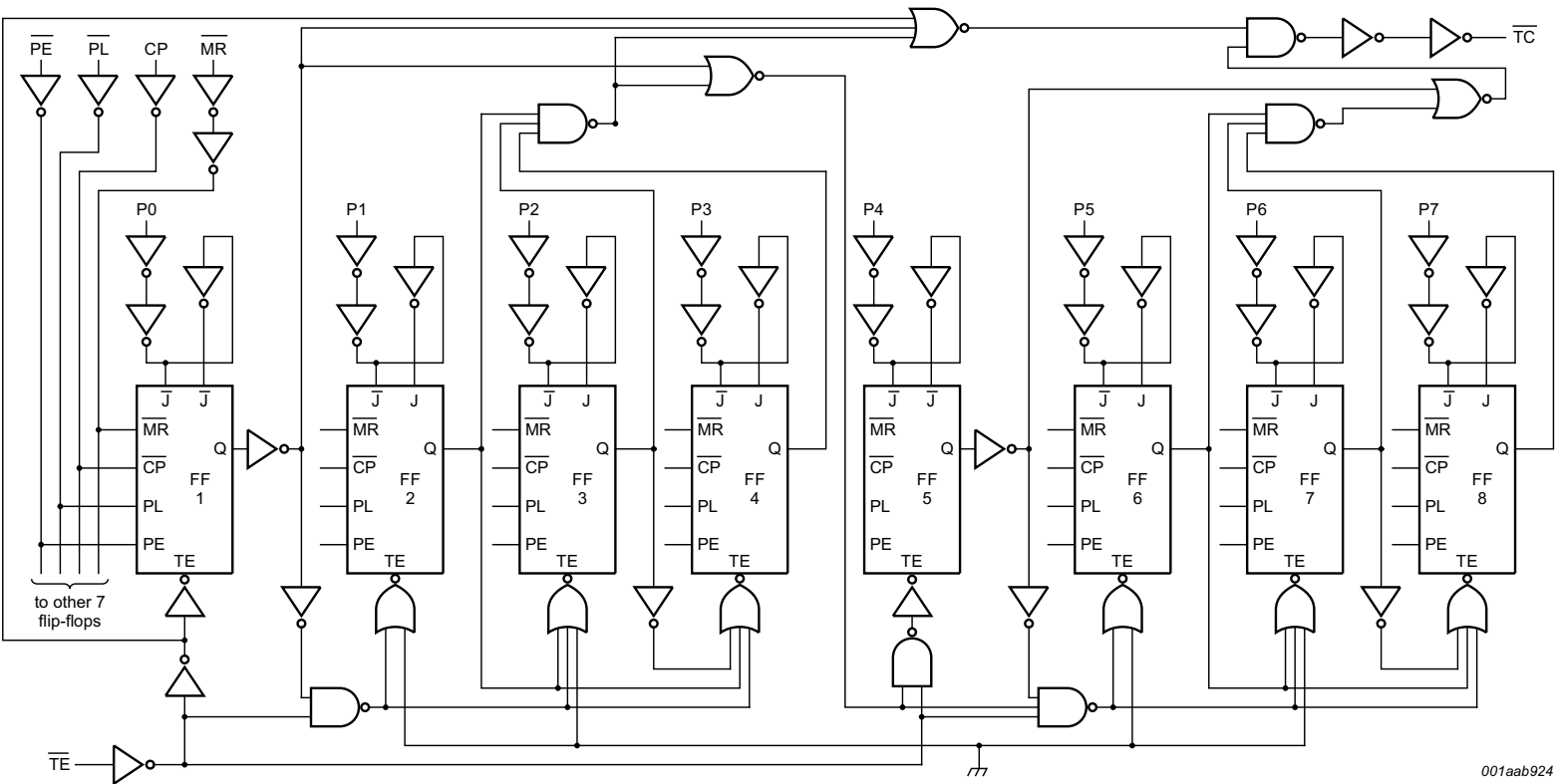


Fig 4. Timing diagram



001aab924

Fig 5. Logic diagram

## 6. Pinning information

### 6.1 Pinning

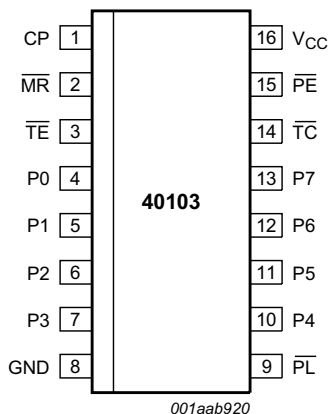


Fig 6. Pin configuration

### 6.2 Pin description

Table 2. Pin description

Symbol	Pin	Description
CP	1	clock input (LOW-to-HIGH, edge-triggered)
$\overline{\text{MR}}$	2	asynchronous master reset input (active LOW)
$\overline{\text{TE}}$	3	terminal enable input (active LOW)
P0	4	jam input 0
P1	5	jam input 1
P2	6	jam input 2
P3	7	jam input 3
GND	8	ground (0 V)
$\overline{\text{PL}}$	9	asynchronous preset enable input (active LOW)
P4	10	jam input 4
P5	11	jam input 5
P6	12	jam input 6
P7	13	jam input 7
$\overline{\text{TC}}$	14	terminal count output (active LOW)
$\overline{\text{PE}}$	15	synchronous preset enable input (active LOW)
V <sub>CC</sub>	16	positive supply voltage

## 7. Functional description

### 7.1 Function table

Table 3. Function table<sup>[1]</sup>

Control inputs				Preset mode	Action <sup>[2]</sup>
MR	PL	PE	TE		
L	X	X	X	asynchronous	clear to maximum count
H	L	X	X	asynchronous	preset asynchronously
		H	L	X	synchronous
	H	L	L	synchronous	count down
		H	H	synchronous	inhibit counter

[1] H = HIGH voltage level;  
L = LOW voltage level;  
X = don't care.

[2] Clock connected to CP.  
Synchronous operation: changes occur on the LOW-to-HIGH CP transition.  
Jam inputs: MSD = P7, LSD = P0.

## 8. Limiting values

Table 4. Limiting values

In accordance with the Absolute Maximum Rating System (IEC 60134). Voltages are referenced to GND (ground = 0 V).

Symbol	Parameter	Conditions	Min	Max	Unit
V <sub>CC</sub>	supply voltage		-0.5	+7	V
I <sub>IK</sub>	input clamping current	V <sub>I</sub> < -0.5 V or V <sub>I</sub> > V <sub>CC</sub> + 0.5 V <sup>[1]</sup>	-	±20	mA
I <sub>OK</sub>	output clamping current	V <sub>O</sub> < -0.5 V or V <sub>O</sub> > V <sub>CC</sub> + 0.5 V <sup>[1]</sup>	-	±20	mA
I <sub>O</sub>	output current	V <sub>O</sub> = -0.5 V to V <sub>CC</sub> + 0.5 V	-	±25	mA
I <sub>CC</sub>	supply current		-	+50	mA
I <sub>GND</sub>	ground current		-50	-	mA
T <sub>stg</sub>	storage temperature		-65	+150	°C
P <sub>tot</sub>	total power dissipation	SO16 package <sup>[2]</sup>	-	500	mW
		TSSOP16 packages <sup>[3]</sup>	-	500	mW

[1] The input and output voltage ratings may be exceeded if the input and output current ratings are observed.

[2] For SO16 package: above 70 °C, P<sub>tot</sub> derates linearly with 8 mW/K.

[3] For TSSOP16 package: above 60 °C, P<sub>tot</sub> derates linearly with 5.5 mW/K.

## 9. Recommended operating conditions

**Table 5. Recommended operating conditions**

Symbol	Parameter	Conditions	Min	Typ	Max	Unit
$V_{CC}$	supply voltage		2.0	5.0	6.0	V
$V_I$	input voltage		0	-	$V_{CC}$	V
$V_O$	output voltage		0	-	$V_{CC}$	V
$\Delta t/\Delta V$	input transition rise and fall rates	$V_{CC} = 2.0\text{ V}$	-	-	625	ns
		$V_{CC} = 4.5\text{ V}$	-	1.67	139	ns
		$V_{CC} = 6.0\text{ V}$	-	-	83	ns
$T_{amb}$	ambient temperature		-40	-	+125	°C

## 10. Static characteristics

**Table 6. Static characteristics**

At recommended operating conditions; voltages are referenced to GND (ground = 0 V).

Symbol	Parameter	Conditions	Min	Typ	Max	Unit
<b><math>T_{amb} = 25\text{ °C}</math></b>						
$V_{IH}$	HIGH-level input voltage	$V_{CC} = 2.0\text{ V}$	1.5	1.2	-	V
		$V_{CC} = 4.5\text{ V}$	3.15	2.4	-	V
		$V_{CC} = 6.0\text{ V}$	4.2	3.2	-	V
$V_{IL}$	LOW-level input voltage	$V_{CC} = 2.0\text{ V}$	-	0.8	0.5	V
		$V_{CC} = 4.5\text{ V}$	-	2.1	1.35	V
		$V_{CC} = 6.0\text{ V}$	-	2.8	1.8	V
$V_{OH}$	HIGH-level output voltage	$V_I = V_{IH}$ or $V_{IL}$				
		$I_O = -20\text{ }\mu\text{A}$ ; $V_{CC} = 2.0\text{ V}$	1.9	2.0	-	V
		$I_O = -20\text{ }\mu\text{A}$ ; $V_{CC} = 4.5\text{ V}$	4.4	4.5	-	V
		$I_O = -20\text{ }\mu\text{A}$ ; $V_{CC} = 6.0\text{ V}$	5.9	6.0	-	V
		$I_O = -4\text{ mA}$ ; $V_{CC} = 4.5\text{ V}$	3.98	4.32	-	V
$V_{OL}$	LOW-level output voltage	$V_I = V_{IH}$ or $V_{IL}$				
		$I_O = 20\text{ }\mu\text{A}$ ; $V_{CC} = 2.0\text{ V}$	-	0	0.1	V
		$I_O = 20\text{ }\mu\text{A}$ ; $V_{CC} = 4.5\text{ V}$	-	0	0.1	V
		$I_O = 20\text{ }\mu\text{A}$ ; $V_{CC} = 6.0\text{ V}$	-	0	0.1	V
		$I_O = 4\text{ mA}$ ; $V_{CC} = 4.5\text{ V}$	-	0.15	0.26	V
		$I_O = 5.2\text{ mA}$ ; $V_{CC} = 6.0\text{ V}$	-	0.16	0.26	V
$I_I$	input leakage current	$V_I = V_{CC}$ or GND; $V_{CC} = 6.0\text{ V}$	-	-	$\pm 0.1$	$\mu\text{A}$
$I_{CC}$	supply current	$V_I = V_{CC}$ or GND; $I_O = 0\text{ A}$ ; $V_{CC} = 6.0\text{ V}$	-	-	8.0	$\mu\text{A}$
$C_I$	input capacitance		-	3.5	-	pF

**Table 6. Static characteristics ...continued**

At recommended operating conditions; voltages are referenced to GND (ground = 0 V).

Symbol	Parameter	Conditions	Min	Typ	Max	Unit
<b>T<sub>amb</sub> = -40 °C to +85 °C</b>						
V <sub>IH</sub>	HIGH-level input voltage	V <sub>CC</sub> = 2.0 V	1.5	-	-	V
		V <sub>CC</sub> = 4.5 V	3.15	-	-	V
		V <sub>CC</sub> = 6.0 V	4.2	-	-	V
V <sub>IL</sub>	LOW-level input voltage	V <sub>CC</sub> = 2.0 V	-	-	0.5	V
		V <sub>CC</sub> = 4.5 V	-	-	1.35	V
		V <sub>CC</sub> = 6.0 V	-	-	1.8	V
V <sub>OH</sub>	HIGH-level output voltage	V <sub>I</sub> = V <sub>IH</sub> or V <sub>IL</sub>				
		I <sub>O</sub> = -20 μA; V <sub>CC</sub> = 2.0 V	1.9	-	-	V
		I <sub>O</sub> = -20 μA; V <sub>CC</sub> = 4.5 V	4.4	-	-	V
		I <sub>O</sub> = -20 μA; V <sub>CC</sub> = 6.0 V	5.9	-	-	V
		I <sub>O</sub> = -4 mA; V <sub>CC</sub> = 4.5 V	3.84	-	-	V
		I <sub>O</sub> = -5.2 mA; V <sub>CC</sub> = 6.0 V	5.34	-	-	V
V <sub>OL</sub>	LOW-level output voltage	V <sub>I</sub> = V <sub>IH</sub> or V <sub>IL</sub>				
		I <sub>O</sub> = 20 μA; V <sub>CC</sub> = 2.0 V	-	-	0.1	V
		I <sub>O</sub> = 20 μA; V <sub>CC</sub> = 4.5 V	-	-	0.1	V
		I <sub>O</sub> = 20 μA; V <sub>CC</sub> = 6.0 V	-	-	0.1	V
		I <sub>O</sub> = 4 mA; V <sub>CC</sub> = 4.5 V	-	-	0.33	V
		I <sub>O</sub> = 5.2 mA; V <sub>CC</sub> = 6.0 V	-	-	0.33	V
I <sub>I</sub>	input leakage current	V <sub>I</sub> = V <sub>CC</sub> or GND; V <sub>CC</sub> = 6.0 V	-	-	±1.0	μA
I <sub>CC</sub>	supply current	V <sub>I</sub> = V <sub>CC</sub> or GND; I <sub>O</sub> = 0 A; V <sub>CC</sub> = 6.0 V	-	-	80	μA
<b>T<sub>amb</sub> = -40 °C to +125 °C</b>						
V <sub>IH</sub>	HIGH-level input voltage	V <sub>CC</sub> = 2.0 V	1.5	-	-	V
		V <sub>CC</sub> = 4.5 V	3.15	-	-	V
		V <sub>CC</sub> = 6.0 V	4.2	-	-	V
V <sub>IL</sub>	LOW-level input voltage	V <sub>CC</sub> = 2.0 V	-	-	0.5	V
		V <sub>CC</sub> = 4.5 V	-	-	1.35	V
		V <sub>CC</sub> = 6.0 V	-	-	1.8	V
V <sub>OH</sub>	HIGH-level output voltage	V <sub>I</sub> = V <sub>IH</sub> or V <sub>IL</sub>				
		I <sub>O</sub> = -20 μA; V <sub>CC</sub> = 2.0 V	1.9	-	-	V
		I <sub>O</sub> = -20 μA; V <sub>CC</sub> = 4.5 V	4.4	-	-	V
		I <sub>O</sub> = -20 μA; V <sub>CC</sub> = 6.0 V	5.9	-	-	V
		I <sub>O</sub> = -4 mA; V <sub>CC</sub> = 4.5 V	3.7	-	-	V
		I <sub>O</sub> = -5.2 mA; V <sub>CC</sub> = 6.0 V	5.2	-	-	V



**Table 6.** Static characteristics ...continued

At recommended operating conditions; voltages are referenced to GND (ground = 0 V).

Symbol	Parameter	Conditions	Min	Typ	Max	Unit
V <sub>OL</sub>	LOW-level output voltage	V <sub>I</sub> = V <sub>IH</sub> or V <sub>IL</sub>				
		I <sub>O</sub> = 20 μA; V <sub>CC</sub> = 2.0 V	-	-	0.1	V
		I <sub>O</sub> = 20 μA; V <sub>CC</sub> = 4.5 V	-	-	0.1	V
		I <sub>O</sub> = 20 μA; V <sub>CC</sub> = 6.0 V	-	-	0.1	V
		I <sub>O</sub> = 4 mA; V <sub>CC</sub> = 4.5 V	-	-	0.4	V
		I <sub>O</sub> = 5.2 mA; V <sub>CC</sub> = 6.0 V	-	-	0.4	V
I <sub>I</sub>	input leakage current	V <sub>I</sub> = V <sub>CC</sub> or GND; V <sub>CC</sub> = 6.0 V	-	-	±1.0	μA
I <sub>CC</sub>	supply current	V <sub>I</sub> = V <sub>CC</sub> or GND; I <sub>O</sub> = 0 A; V <sub>CC</sub> = 6.0 V	-	-	160	μA

## 11. Dynamic characteristics

**Table 7.** Dynamic characteristicsGND = 0 V; t<sub>r</sub> = t<sub>f</sub> = 6 ns; C<sub>L</sub> = 50 pF; see [Figure 13](#).

Symbol	Parameter	Conditions	Min	Typ	Max	Unit
<b>T<sub>amb</sub> = 25 °C</b>						
t <sub>pd</sub>	propagation delay	CP to $\overline{\text{TC}}$ ; see <a href="#">Figure 7</a> <span style="float: right;">[1]</span>				
		V <sub>CC</sub> = 2.0 V	-	96	300	ns
		V <sub>CC</sub> = 4.5 V	-	35	60	ns
		V <sub>CC</sub> = 6.0 V	-	28	51	ns
		V <sub>CC</sub> = 5.0 V; C <sub>L</sub> = 15 pF	-	30	-	ns
		$\overline{\text{TE}}$ to $\overline{\text{TC}}$ ; see <a href="#">Figure 8</a>				
		V <sub>CC</sub> = 2.0 V	-	50	175	ns
		V <sub>CC</sub> = 4.5 V	-	18	35	ns
		V <sub>CC</sub> = 6.0 V	-	14	30	ns
		$\overline{\text{PL}}$ to $\overline{\text{TC}}$ ; see <a href="#">Figure 9</a>				
		V <sub>CC</sub> = 2.0 V	-	102	315	ns
		V <sub>CC</sub> = 4.5 V	-	37	63	ns
		V <sub>CC</sub> = 6.0 V	-	30	53	ns
t <sub>PHL</sub>	HIGH to LOW propagation delay	$\overline{\text{MR}}$ to $\overline{\text{TC}}$ ; see <a href="#">Figure 9</a>				
		V <sub>CC</sub> = 2.0 V	-	83	275	ns
		V <sub>CC</sub> = 4.5 V	-	30	55	ns
		V <sub>CC</sub> = 6.0 V	-	24	47	ns
t <sub>t</sub>	transition time	see <a href="#">Figure 8</a> <span style="float: right;">[2]</span>				
		V <sub>CC</sub> = 2.0 V	-	19	75	ns
		V <sub>CC</sub> = 4.5 V	-	7	15	ns
		V <sub>CC</sub> = 6.0 V	-	6	13	ns

**Table 7. Dynamic characteristics ...continued**  
*GND = 0 V;  $t_r = t_f = 6 \text{ ns}$ ;  $C_L = 50 \text{ pF}$ ; see [Figure 13](#).*

Symbol	Parameter	Conditions	Min	Typ	Max	Unit
$t_{w}$	pulse width	CP HIGH or LOW; see <a href="#">Figure 7</a>				
		$V_{CC} = 2.0 \text{ V}$	165	22	-	ns
		$V_{CC} = 4.5 \text{ V}$	33	8	-	ns
		$V_{CC} = 6.0 \text{ V}$	28	6	-	ns
		$\overline{\text{MR}}$ LOW; see <a href="#">Figure 9</a>				
		$V_{CC} = 2.0 \text{ V}$	125	39	-	ns
		$V_{CC} = 4.5 \text{ V}$	25	14	-	ns
		$V_{CC} = 6.0 \text{ V}$	21	11	-	ns
		$\overline{\text{PL}}$ LOW; see <a href="#">Figure 9</a>				
		$V_{CC} = 2.0 \text{ V}$	125	33	-	ns
		$V_{CC} = 4.5 \text{ V}$	25	12	-	ns
		$V_{CC} = 6.0 \text{ V}$	21	10	-	ns
$t_{\text{rec}}$	recovery time	$\overline{\text{MR}}$ to CP, $\overline{\text{PL}}$ to CP; see <a href="#">Figure 10</a>				
		$V_{CC} = 2.0 \text{ V}$	50	14	-	ns
		$V_{CC} = 4.5 \text{ V}$	10	5	-	ns
		$V_{CC} = 6.0 \text{ V}$	9	4	-	ns
$t_{\text{su}}$	set-up time	$\overline{\text{PE}}$ to CP; see <a href="#">Figure 11</a>				
		$V_{CC} = 2.0 \text{ V}$	75	22	-	ns
		$V_{CC} = 4.5 \text{ V}$	15	8	-	ns
		$V_{CC} = 6.0 \text{ V}$	13	6	-	ns
		$\overline{\text{TE}}$ to CP; see <a href="#">Figure 12</a>				
		$V_{CC} = 2.0 \text{ V}$	150	44	-	ns
		$V_{CC} = 4.5 \text{ V}$	30	16	-	ns
		$V_{CC} = 6.0 \text{ V}$	26	13	-	ns
		$\text{Pn}$ to CP; see <a href="#">Figure 11</a>				
		$V_{CC} = 2.0 \text{ V}$	75	22	-	ns
		$V_{CC} = 4.5 \text{ V}$	15	8	-	ns
		$V_{CC} = 6.0 \text{ V}$	13	6	-	ns
$t_{\text{h}}$	hold time	$\overline{\text{PE}}$ to CP; see <a href="#">Figure 11</a>				
		$V_{CC} = 2.0 \text{ V}$	0	-14	-	ns
		$V_{CC} = 4.5 \text{ V}$	0	-5	-	ns
		$V_{CC} = 6.0 \text{ V}$	0	-4	-	ns
		$\overline{\text{TE}}$ to CP; see <a href="#">Figure 12</a>				
		$V_{CC} = 2.0 \text{ V}$	0	-30	-	ns
		$V_{CC} = 4.5 \text{ V}$	0	-11	-	ns
		$V_{CC} = 6.0 \text{ V}$	0	-9	-	ns
		$\text{Pn}$ to CP; see <a href="#">Figure 11</a>				
		$V_{CC} = 2.0 \text{ V}$	0	-17	-	ns
		$V_{CC} = 4.5 \text{ V}$	0	-6	-	ns
		$V_{CC} = 6.0 \text{ V}$	0	-5	-	ns

**Table 7. Dynamic characteristics ...continued**  
*GND = 0 V;  $t_r = t_f = 6$  ns;  $C_L = 50$  pF; see [Figure 13](#).*

Symbol	Parameter	Conditions	Min	Typ	Max	Unit
f <sub>max</sub>	maximum frequency	see <a href="#">Figure 7</a>				
		V <sub>CC</sub> = 2.0 V	3.0	10	-	MHz
		V <sub>CC</sub> = 4.5 V	15	29	-	MHz
		V <sub>CC</sub> = 6.0 V	18	35	-	MHz
C <sub>PD</sub>	power dissipation capacitance	V <sub>I</sub> = GND to V <sub>CC</sub> <a href="#">[3]</a>	-	24	-	pF
<b>T<sub>amb</sub> = -40 °C to +85 °C</b>						
t <sub>pd</sub>	propagation delay	CP to $\overline{TC}$ ; see <a href="#">Figure 7</a> <a href="#">[1]</a>				
		V <sub>CC</sub> = 2.0 V	-	-	375	ns
		V <sub>CC</sub> = 4.5 V	-	-	75	ns
		V <sub>CC</sub> = 6.0 V	-	-	64	ns
		$\overline{TE}$ to $\overline{TC}$ ; see <a href="#">Figure 8</a>				
		V <sub>CC</sub> = 2.0 V	-	-	220	ns
		V <sub>CC</sub> = 4.5 V	-	-	44	ns
		V <sub>CC</sub> = 6.0 V	-	-	37	ns
		$\overline{PL}$ to $\overline{TC}$ ; see <a href="#">Figure 9</a>				
		V <sub>CC</sub> = 2.0 V	-	-	395	ns
		V <sub>CC</sub> = 4.5 V	-	-	79	ns
		V <sub>CC</sub> = 6.0 V	-	-	40	ns
t <sub>PHL</sub>	HIGH to LOW propagation delay	$\overline{MR}$ to $\overline{TC}$ ; see <a href="#">Figure 9</a>				
		V <sub>CC</sub> = 2.0 V	-	-	345	ns
		V <sub>CC</sub> = 6.0 V	-	-	59	ns
t <sub>t</sub>	transition time	see <a href="#">Figure 8</a> <a href="#">[2]</a>				
		V <sub>CC</sub> = 2.0 V	-	-	95	ns
		V <sub>CC</sub> = 4.5 V	-	-	19	ns
		V <sub>CC</sub> = 6.0 V	-	-	16	ns
t <sub>w</sub>	pulse width	CP HIGH or LOW; see <a href="#">Figure 7</a>				
		V <sub>CC</sub> = 2.0 V	205	-	-	ns
		V <sub>CC</sub> = 4.5 V	41	-	-	ns
		V <sub>CC</sub> = 6.0 V	35	-	-	ns
		$\overline{MR}$ LOW; see <a href="#">Figure 9</a>				
		V <sub>CC</sub> = 2.0 V	155	-	-	ns
		V <sub>CC</sub> = 4.5 V	31	-	-	ns
		V <sub>CC</sub> = 6.0 V	26	-	-	ns
		$\overline{PL}$ LOW; see <a href="#">Figure 9</a>				
		V <sub>CC</sub> = 2.0 V	155	-	-	ns
		V <sub>CC</sub> = 4.5 V	31	-	-	ns
		V <sub>CC</sub> = 6.0 V	26	-	-	ns

**Table 7. Dynamic characteristics ...continued**  
*GND = 0 V;  $t_r = t_f = 6$  ns;  $C_L = 50$  pF; see [Figure 13](#).*

Symbol	Parameter	Conditions	Min	Typ	Max	Unit
$t_{rec}$	recovery time	$\overline{MR}$ to CP, $\overline{PL}$ to CP; see <a href="#">Figure 10</a>				
		$V_{CC} = 2.0$ V	65	-	-	ns
		$V_{CC} = 4.5$ V	13	-	-	ns
		$V_{CC} = 6.0$ V	11	-	-	ns
$t_{su}$	set-up time	$\overline{PE}$ to CP; see <a href="#">Figure 11</a>				
		$V_{CC} = 2.0$ V	95	-	-	ns
		$V_{CC} = 4.5$ V	19	-	-	ns
		$V_{CC} = 6.0$ V	16	-	-	ns
		$\overline{TE}$ to CP; see <a href="#">Figure 12</a>				
		$V_{CC} = 2.0$ V	190	-	-	ns
		$V_{CC} = 4.5$ V	38	-	-	ns
		$V_{CC} = 6.0$ V	33	-	-	ns
		$P_n$ to CP; see <a href="#">Figure 11</a>				
		$V_{CC} = 2.0$ V	95	-	-	ns
		$V_{CC} = 4.5$ V	19	-	-	ns
		$V_{CC} = 6.0$ V	16	-	-	ns
$t_h$	hold time	$\overline{PE}$ to CP; see <a href="#">Figure 11</a>				
		$V_{CC} = 2.0$ V	0	-	-	ns
		$V_{CC} = 4.5$ V	0	-	-	ns
		$V_{CC} = 6.0$ V	0	-	-	ns
		$\overline{TE}$ to CP; see <a href="#">Figure 12</a>				
		$V_{CC} = 2.0$ V	0	-	-	ns
		$V_{CC} = 4.5$ V	0	-	-	ns
		$V_{CC} = 6.0$ V	0	-	-	ns
		$P_n$ to CP; see <a href="#">Figure 11</a>				
		$V_{CC} = 2.0$ V	0	-	-	ns
		$V_{CC} = 4.5$ V	0	-	-	ns
		$V_{CC} = 6.0$ V	0	-	-	ns
$f_{max}$	maximum frequency	see <a href="#">Figure 7</a>				
		$V_{CC} = 2.0$ V	2.4	-	-	MHz
		$V_{CC} = 4.5$ V	12	-	-	MHz
		$V_{CC} = 6.0$ V	14	-	-	MHz

**Table 7. Dynamic characteristics ...continued**  
 $GND = 0\text{ V}$ ;  $t_r = t_f = 6\text{ ns}$ ;  $C_L = 50\text{ pF}$ ; see [Figure 13](#).

Symbol	Parameter	Conditions	Min	Typ	Max	Unit
<b><math>T_{\text{amb}} = -40\text{ °C to }+125\text{ °C}</math></b>						
$t_{\text{pd}}$	propagation delay	CP to $\overline{\text{TC}}$ ; see <a href="#">Figure 7</a> <sup>[1]</sup>				
		$V_{\text{CC}} = 2.0\text{ V}$	-	-	450	ns
		$V_{\text{CC}} = 4.5\text{ V}$	-	-	90	ns
		$V_{\text{CC}} = 6.0\text{ V}$	-	-	77	ns
		$\overline{\text{TE}}$ to $\overline{\text{TC}}$ ; see <a href="#">Figure 8</a>				
		$V_{\text{CC}} = 2.0\text{ V}$	-	-	265	ns
		$V_{\text{CC}} = 4.5\text{ V}$	-	-	53	ns
		$V_{\text{CC}} = 6.0\text{ V}$	-	-	45	ns
		$\overline{\text{PL}}$ to $\overline{\text{TC}}$ ; see <a href="#">Figure 9</a>				
		$V_{\text{CC}} = 2.0\text{ V}$	-	-	475	ns
		$V_{\text{CC}} = 4.5\text{ V}$	-	-	95	ns
		$V_{\text{CC}} = 6.0\text{ V}$	-	-	81	ns
$t_{\text{PHL}}$	HIGH to LOW propagation delay	$\overline{\text{MR}}$ to $\overline{\text{TC}}$ ; see <a href="#">Figure 9</a>				
		$V_{\text{CC}} = 2.0\text{ V}$	-	-	415	ns
		$V_{\text{CC}} = 4.5\text{ V}$	-	-	83	ns
		$V_{\text{CC}} = 6.0\text{ V}$	-	-	71	ns
$t_t$	transition time	see <a href="#">Figure 8</a> <sup>[2]</sup>				
		$V_{\text{CC}} = 2.0\text{ V}$	-	-	110	ns
		$V_{\text{CC}} = 4.5\text{ V}$	-	-	22	ns
		$V_{\text{CC}} = 6.0\text{ V}$	-	-	19	ns
$t_w$	pulse width	CP HIGH or LOW; see <a href="#">Figure 7</a>				
		$V_{\text{CC}} = 2.0\text{ V}$	250	-	-	ns
		$V_{\text{CC}} = 4.5\text{ V}$	50	-	-	ns
		$V_{\text{CC}} = 6.0\text{ V}$	43	-	-	ns
		$\overline{\text{MR}}$ LOW; see <a href="#">Figure 9</a>				
		$V_{\text{CC}} = 2.0\text{ V}$	190	-	-	ns
		$V_{\text{CC}} = 4.5\text{ V}$	38	-	-	ns
		$V_{\text{CC}} = 6.0\text{ V}$	32	-	-	ns
		$\overline{\text{PL}}$ LOW; see <a href="#">Figure 9</a>				
		$V_{\text{CC}} = 2.0\text{ V}$	190	-	-	ns
		$V_{\text{CC}} = 4.5\text{ V}$	38	-	-	ns
		$V_{\text{CC}} = 6.0\text{ V}$	32	-	-	ns
$t_{\text{rec}}$	recovery time	$\overline{\text{MR}}$ to CP, $\overline{\text{PL}}$ to CP; see <a href="#">Figure 10</a>				
		$V_{\text{CC}} = 2.0\text{ V}$	75	-	-	ns
		$V_{\text{CC}} = 4.5\text{ V}$	15	-	-	ns
		$V_{\text{CC}} = 6.0\text{ V}$	13	-	-	ns

**Table 7. Dynamic characteristics ...continued**  
*GND = 0 V;  $t_r = t_f = 6$  ns;  $C_L = 50$  pF; see [Figure 13](#).*

Symbol	Parameter	Conditions	Min	Typ	Max	Unit
t <sub>su</sub>	set-up time	$\overline{PE}$ to CP; see <a href="#">Figure 11</a>				
		V <sub>CC</sub> = 2.0 V	110	-	-	ns
		V <sub>CC</sub> = 4.5 V	22	-	-	ns
		V <sub>CC</sub> = 6.0 V	19	-	-	ns
		$\overline{TE}$ to CP; see <a href="#">Figure 12</a>				
		V <sub>CC</sub> = 2.0 V	225	-	-	ns
		V <sub>CC</sub> = 4.5 V	45	-	-	ns
		V <sub>CC</sub> = 6.0 V	38	-	-	ns
		Pn to CP; see <a href="#">Figure 11</a>				
		V <sub>CC</sub> = 2.0 V	110	-	-	ns
		V <sub>CC</sub> = 4.5 V	22	-	-	ns
		V <sub>CC</sub> = 6.0 V	19	-	-	ns
t <sub>h</sub>	hold time	$\overline{PE}$ to CP; see <a href="#">Figure 11</a>				
		V <sub>CC</sub> = 2.0 V	0	-	-	ns
		V <sub>CC</sub> = 4.5 V	0	-	-	ns
		V <sub>CC</sub> = 6.0 V	0	-	-	ns
		$\overline{TE}$ to CP; see <a href="#">Figure 12</a>				
		V <sub>CC</sub> = 2.0 V	0	-	-	ns
		V <sub>CC</sub> = 4.5 V	0	-	-	ns
		V <sub>CC</sub> = 6.0 V	0	-	-	ns
		Pn to CP; see <a href="#">Figure 11</a>				
		V <sub>CC</sub> = 2.0 V	0	-	-	ns
		V <sub>CC</sub> = 4.5 V	0	-	-	ns
		V <sub>CC</sub> = 6.0 V	0	-	-	ns
f <sub>max</sub>	maximum frequency	see <a href="#">Figure 7</a>				
		V <sub>CC</sub> = 2.0 V	2.0	-	-	MHz
		V <sub>CC</sub> = 4.5 V	10	-	-	MHz
		V <sub>CC</sub> = 6.0 V	12	-	-	MHz

[1] t<sub>pd</sub> is the same as t<sub>PHL</sub>, t<sub>PLH</sub>.

[2] t<sub>i</sub> is the same as t<sub>THL</sub>, t<sub>TLH</sub>.

[3] C<sub>PD</sub> is used to determine the dynamic power dissipation (P<sub>D</sub> in μW).

$$P_D = C_{PD} \times V_{CC}^2 \times f_i \times N + \sum(C_L \times V_{CC}^2 \times f_o) \text{ where:}$$

f<sub>i</sub> = input frequency in MHz;

f<sub>o</sub> = output frequency in MHz;

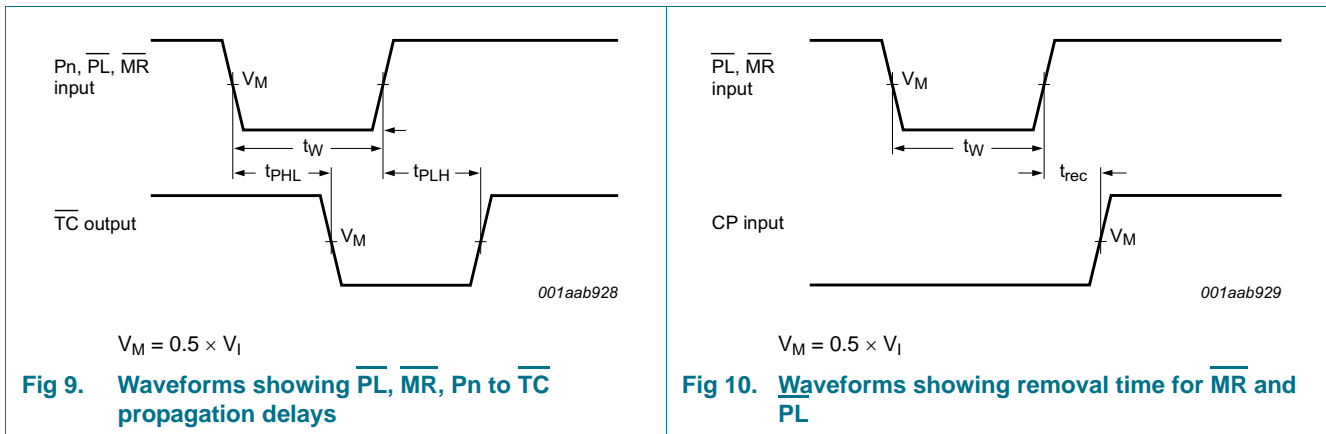
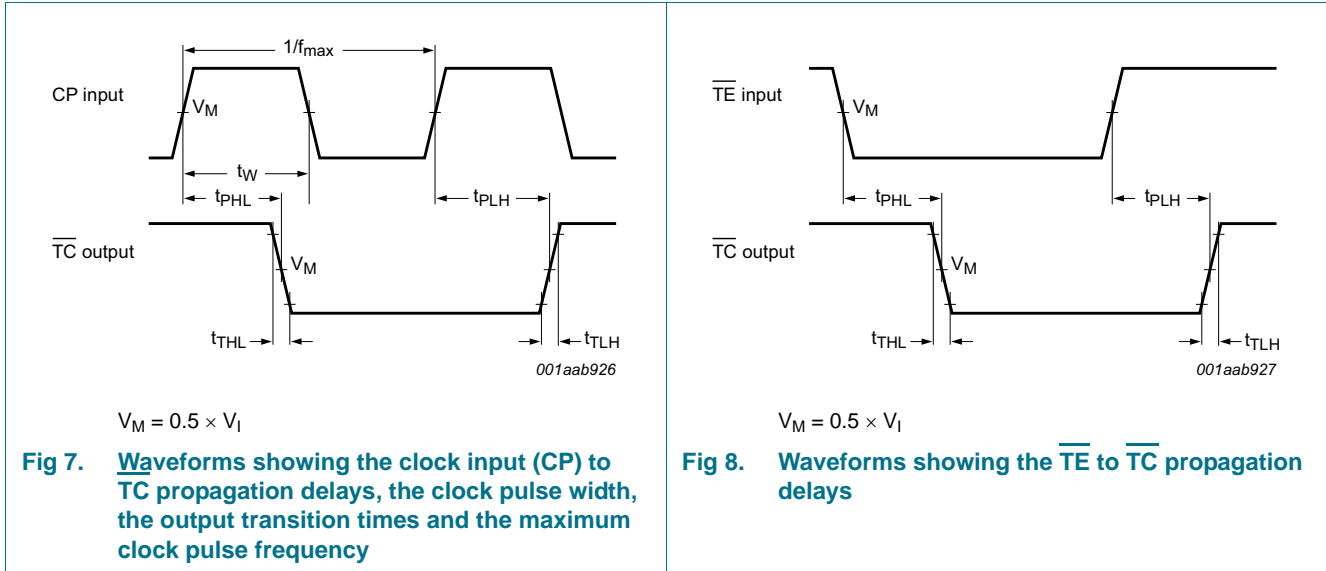
C<sub>L</sub> = output load capacitance in pF;

V<sub>CC</sub> = supply voltage in V;

N = number of inputs switching;

$\sum(C_L \times V_{CC}^2 \times f_o)$  = sum of outputs.

12. Waveforms



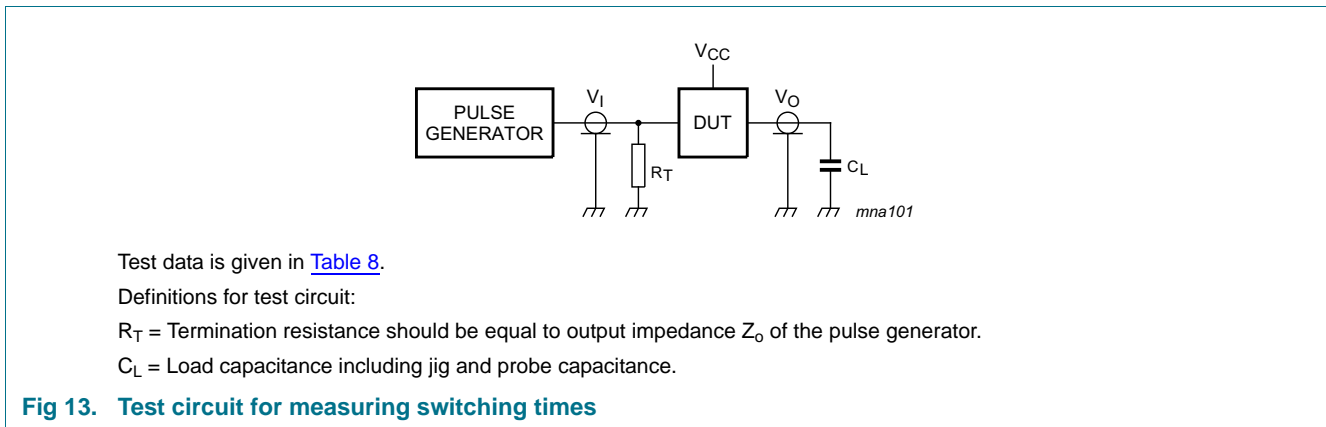
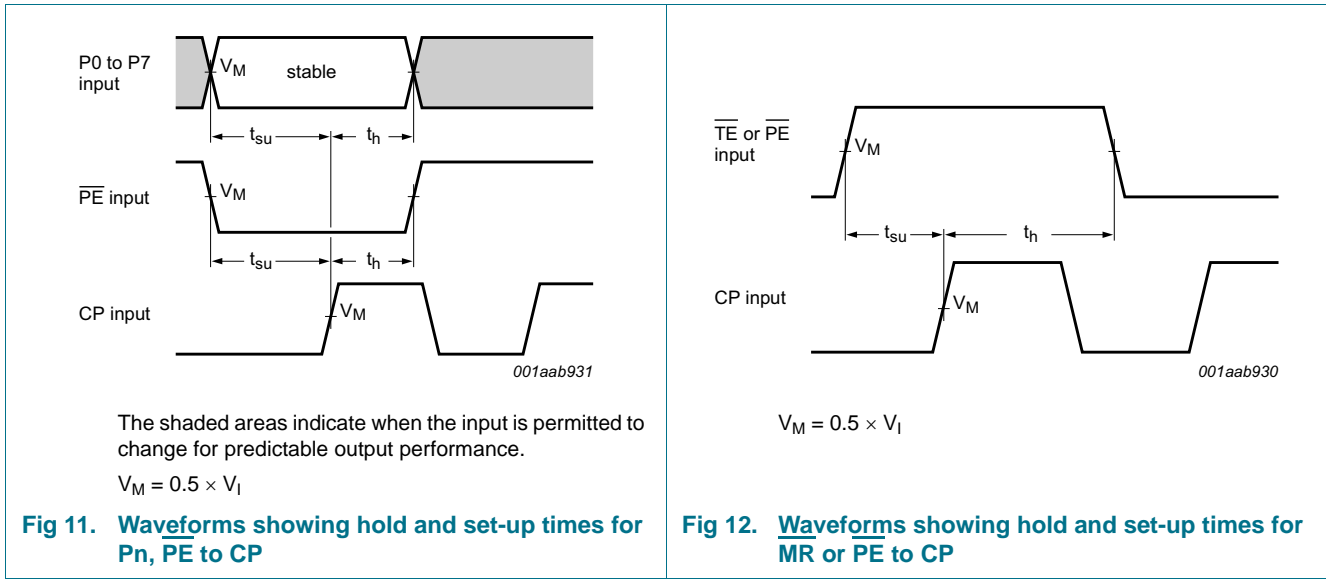


Table 8. Test data

Supply	Input	Load
$V_{CC}$	$V_I$	$C_L$
2.0 V	$V_{CC}$	50 pF
4.5 V	$V_{CC}$	50 pF
6.0 V	$V_{CC}$	50 pF
5.0 V	$V_{CC}$	15 pF



### 13. Application information

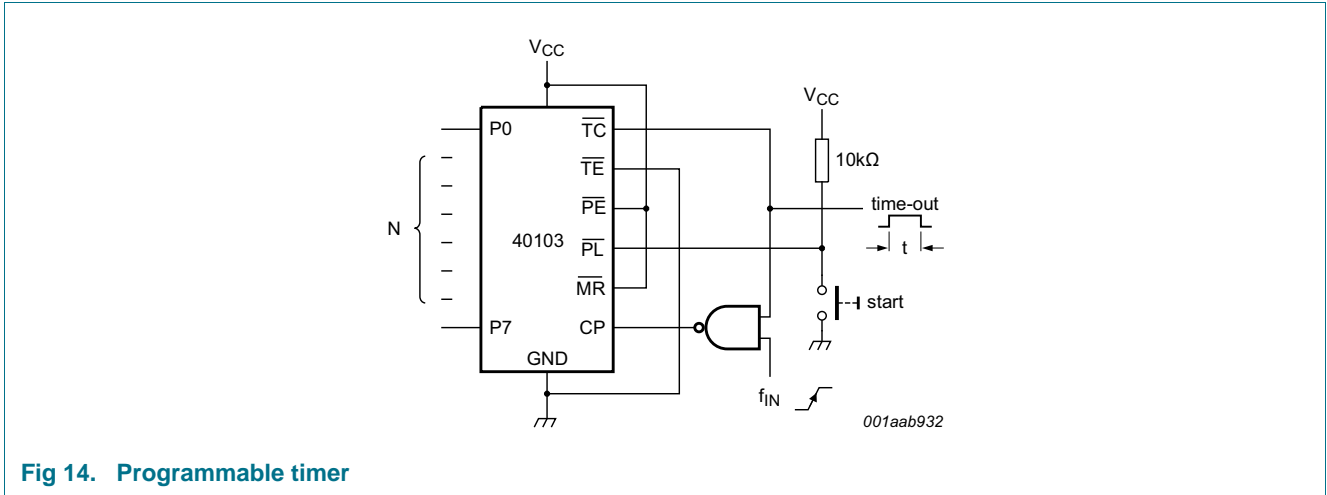


Fig 14. Programmable timer

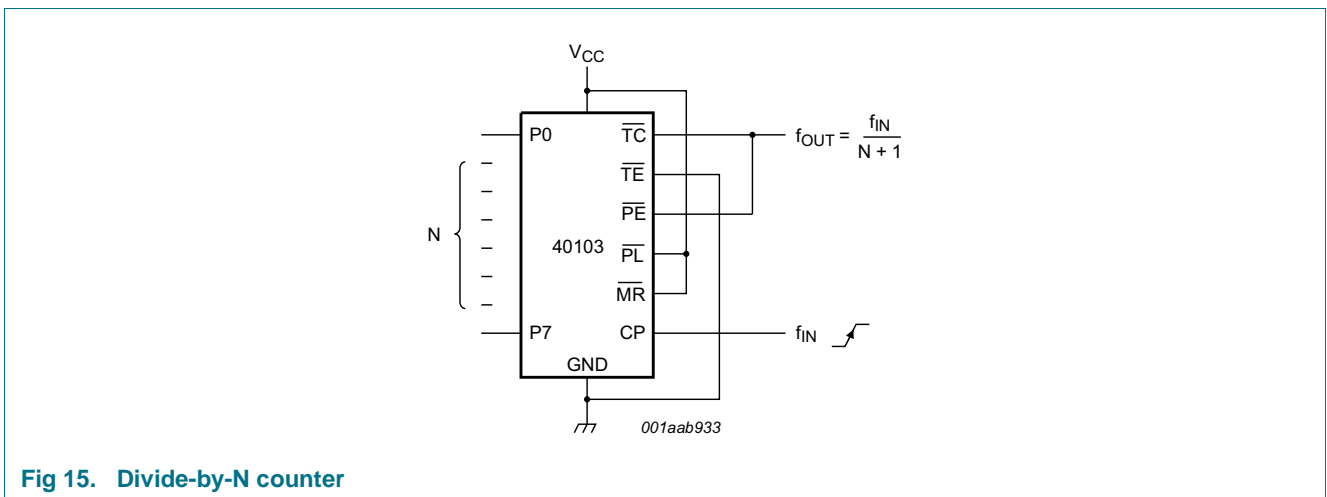


Fig 15. Divide-by-N counter

14. Package outline

SO16: plastic small outline package; 16 leads; body width 3.9 mm

SOT109-1

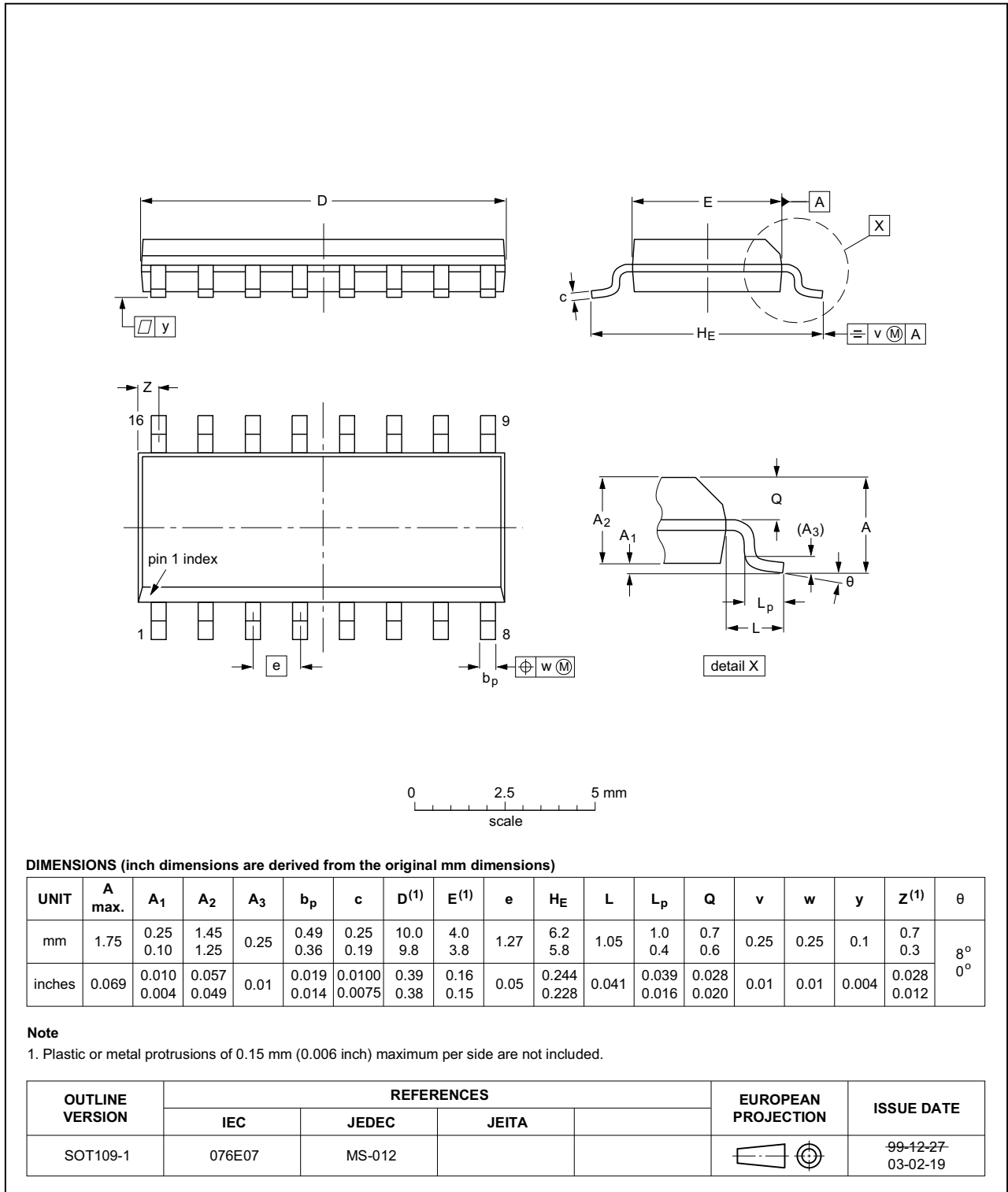


Fig 16. Package outline SOT109-1 (SO16)

TSSOP16: plastic thin shrink small outline package; 16 leads; body width 4.4 mm

SOT403-1

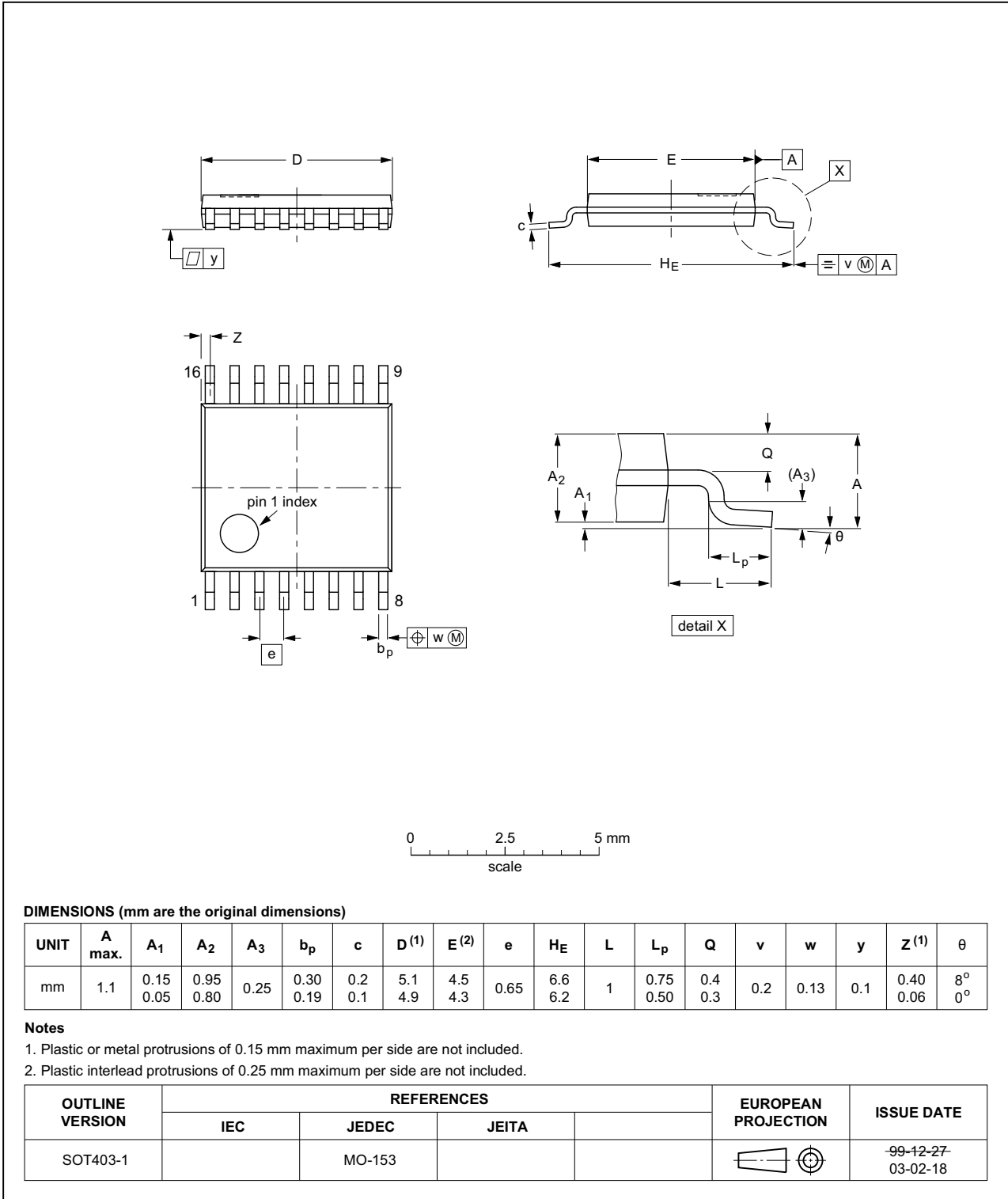


Fig 17. Package outline SOT403-1 (TSSOP16)

## 15. Abbreviations

Table 9. Abbreviations

Acronym	Description
CMOS	Complementary Metal Oxide Semiconductor
DUT	Device Under Test
ESD	ElectroStatic Discharge
HBM	Human Body Model
MM	Machine Model

## 16. Revision history

Table 10. Revision history

Document ID	Release date	Data sheet status	Change notice	Supersedes
74HC40103 v.5	20160421	Product data sheet	-	74HC40103 v.4
Modifications:	<ul style="list-style-type: none"> <li>Type number 74HC40103DB (SOT338-1) removed.</li> </ul>			
74HC40103 v.4	20160127	Product data sheet	-	74HC40103 v.3
Modifications:	<ul style="list-style-type: none"> <li>Type number 74HC40103N (SOT38-4) removed.</li> </ul>			
74HC40103 v.3	20041112	Product data sheet	-	74HC_HCT40103_CNV v.2
Modifications:	<ul style="list-style-type: none"> <li>The format of this data sheet has been redesigned to comply with the current presentation and information standard of Philips Semiconductors.</li> <li>Removed type number 74HCT40103.</li> <li>Inserted family specification.</li> </ul>			
74HC_HCT40103_CNV v.2	19970918	Product specification	-	74HC_HCT40103 v.1
74HC_HCT40103 v.1	19901201	Product specification	-	-

## 17. Legal information

### 17.1 Data sheet status

Document status <sup>[1][2]</sup>	Product status <sup>[3]</sup>	Definition
Objective [short] data sheet	Development	This document contains data from the objective specification for product development.
Preliminary [short] data sheet	Qualification	This document contains data from the preliminary specification.
Product [short] data sheet	Production	This document contains the product specification.

[1] Please consult the most recently issued document before initiating or completing a design.

[2] The term 'short data sheet' is explained in section "Definitions".

[3] The product status of device(s) described in this document may have changed since this document was published and may differ in case of multiple devices. The latest product status information is available on the Internet at URL <http://www.nxp.com>.

### 17.2 Definitions

**Draft** — The document is a draft version only. The content is still under internal review and subject to formal approval, which may result in modifications or additions. NXP Semiconductors does not give any representations or warranties as to the accuracy or completeness of information included herein and shall have no liability for the consequences of use of such information.

**Short data sheet** — A short data sheet is an extract from a full data sheet with the same product type number(s) and title. A short data sheet is intended for quick reference only and should not be relied upon to contain detailed and full information. For detailed and full information see the relevant full data sheet, which is available on request via the local NXP Semiconductors sales office. In case of any inconsistency or conflict with the short data sheet, the full data sheet shall prevail.

**Product specification** — The information and data provided in a Product data sheet shall define the specification of the product as agreed between NXP Semiconductors and its customer, unless NXP Semiconductors and customer have explicitly agreed otherwise in writing. In no event however, shall an agreement be valid in which the NXP Semiconductors product is deemed to offer functions and qualities beyond those described in the Product data sheet.

### 17.3 Disclaimers

**Limited warranty and liability** — Information in this document is believed to be accurate and reliable. However, NXP Semiconductors does not give any representations or warranties, expressed or implied, as to the accuracy or completeness of such information and shall have no liability for the consequences of use of such information. NXP Semiconductors takes no responsibility for the content in this document if provided by an information source outside of NXP Semiconductors.

In no event shall NXP Semiconductors be liable for any indirect, incidental, punitive, special or consequential damages (including - without limitation - lost profits, lost savings, business interruption, costs related to the removal or replacement of any products or rework charges) whether or not such damages are based on tort (including negligence), warranty, breach of contract or any other legal theory.

Notwithstanding any damages that customer might incur for any reason whatsoever, NXP Semiconductors' aggregate and cumulative liability towards customer for the products described herein shall be limited in accordance with the *Terms and conditions of commercial sale* of NXP Semiconductors.

**Right to make changes** — NXP Semiconductors reserves the right to make changes to information published in this document, including without limitation specifications and product descriptions, at any time and without notice. This document supersedes and replaces all information supplied prior to the publication hereof.

**Suitability for use** — NXP Semiconductors products are not designed, authorized or warranted to be suitable for use in life support, life-critical or safety-critical systems or equipment, nor in applications where failure or malfunction of an NXP Semiconductors product can reasonably be expected to result in personal injury, death or severe property or environmental damage. NXP Semiconductors and its suppliers accept no liability for inclusion and/or use of NXP Semiconductors products in such equipment or applications and therefore such inclusion and/or use is at the customer's own risk.

**Applications** — Applications that are described herein for any of these products are for illustrative purposes only. NXP Semiconductors makes no representation or warranty that such applications will be suitable for the specified use without further testing or modification.

Customers are responsible for the design and operation of their applications and products using NXP Semiconductors products, and NXP Semiconductors accepts no liability for any assistance with applications or customer product design. It is customer's sole responsibility to determine whether the NXP Semiconductors product is suitable and fit for the customer's applications and products planned, as well as for the planned application and use of customer's third party customer(s). Customers should provide appropriate design and operating safeguards to minimize the risks associated with their applications and products.

NXP Semiconductors does not accept any liability related to any default, damage, costs or problem which is based on any weakness or default in the customer's applications or products, or the application or use by customer's third party customer(s). Customer is responsible for doing all necessary testing for the customer's applications and products using NXP Semiconductors products in order to avoid a default of the applications and the products or of the application or use by customer's third party customer(s). NXP does not accept any liability in this respect.

**Limiting values** — Stress above one or more limiting values (as defined in the Absolute Maximum Ratings System of IEC 60134) will cause permanent damage to the device. Limiting values are stress ratings only and (proper) operation of the device at these or any other conditions above those given in the Recommended operating conditions section (if present) or the Characteristics sections of this document is not warranted. Constant or repeated exposure to limiting values will permanently and irreversibly affect the quality and reliability of the device.

**Terms and conditions of commercial sale** — NXP Semiconductors products are sold subject to the general terms and conditions of commercial sale, as published at <http://www.nxp.com/profile/terms>, unless otherwise agreed in a valid written individual agreement. In case an individual agreement is concluded only the terms and conditions of the respective agreement shall apply. NXP Semiconductors hereby expressly objects to applying the customer's general terms and conditions with regard to the purchase of NXP Semiconductors products by customer.

**No offer to sell or license** — Nothing in this document may be interpreted or construed as an offer to sell products that is open for acceptance or the grant, conveyance or implication of any license under any copyrights, patents or other industrial or intellectual property rights.

**Export control** — This document as well as the item(s) described herein may be subject to export control regulations. Export might require a prior authorization from competent authorities.

**Non-automotive qualified products** — Unless this data sheet expressly states that this specific NXP Semiconductors product is automotive qualified, the product is not suitable for automotive use. It is neither qualified nor tested in accordance with automotive testing or application requirements. NXP Semiconductors accepts no liability for inclusion and/or use of non-automotive qualified products in automotive equipment or applications.

In the event that customer uses the product for design-in and use in automotive applications to automotive specifications and standards, customer (a) shall use the product without NXP Semiconductors' warranty of the product for such automotive applications, use and specifications, and (b) whenever customer uses the product for automotive applications beyond

NXP Semiconductors' specifications such use shall be solely at customer's own risk, and (c) customer fully indemnifies NXP Semiconductors for any liability, damages or failed product claims resulting from customer design and use of the product for automotive applications beyond NXP Semiconductors' standard warranty and NXP Semiconductors' product specifications.

**Translations** — A non-English (translated) version of a document is for reference only. The English version shall prevail in case of any discrepancy between the translated and English versions.

## 17.4 Trademarks

Notice: All referenced brands, product names, service names and trademarks are the property of their respective owners.

## 18. Contact information

For more information, please visit: <http://www.nxp.com>

For sales office addresses, please send an email to: [salesaddresses@nxp.com](mailto:salesaddresses@nxp.com)

19. Contents

1 General description ..... 1

2 Features and benefits ..... 1

3 Applications ..... 1

4 Ordering information ..... 2

5 Functional diagram ..... 2

6 Pinning information ..... 5

6.1 Pinning ..... 5

6.2 Pin description ..... 5

7 Functional description ..... 6

7.1 Function table ..... 6

8 Limiting values ..... 6

9 Recommended operating conditions ..... 7

10 Static characteristics ..... 7

11 Dynamic characteristics ..... 9

12 Waveforms ..... 15

13 Application information ..... 17

14 Package outline ..... 18

15 Abbreviations ..... 20

16 Revision history ..... 20

17 Legal information ..... 21

17.1 Data sheet status ..... 21

17.2 Definitions ..... 21

17.3 Disclaimers ..... 21

17.4 Trademarks ..... 22

18 Contact information ..... 22

19 Contents ..... 23

Please be aware that important notices concerning this document and the product(s) described herein, have been included in section 'Legal information'.

© NXP Semiconductors N.V. 2016. All rights reserved.

For more information, please visit: <http://www.nxp.com>  
 For sales office addresses, please send an email to: [salesaddresses@nxp.com](mailto:salesaddresses@nxp.com)

Date of release: 21 April 2016  
 Document identifier: 74HC40103