

Description

The AP33771 is a highly integrated USB Type-C® PD3.0/PPS sink controller. The device is targeted for DC power requests and control for Type-C connector-equipped devices (TCD). To leverage increasing popularity of standard Type-C PD3.0 power adaptors, the AP33771 negotiates with an existing PD3.0 adaptor to acquire the required power profile to supply the TCD.

Working its role as DC-power requests from USB PD sources, the AP33771 interprets power input requirements (voltage/current and maximum power) from the TCD, and then establishes a power link with an external USB PD3.0 adaptor to output a suitable DC power. The voltage requests are specified by three pins (VSEL2, VSEL1, VSEL0). Up to eight voltages can be selected, and both fixed PDO and PPS APDO in the PD source adaptor are supported in the AP33771 search algorithm. Up to ten maximum power levels can also be selected through different resistance values of the resistor connected to the PSEL pin (refer to figure 1 and 2).

Rich power functions are embedded on the chip to reduce total BOM while maintaining maximum flexibility. A one-time-programmable (OTP) ROM is provided to store the PD/sink controller firmware.

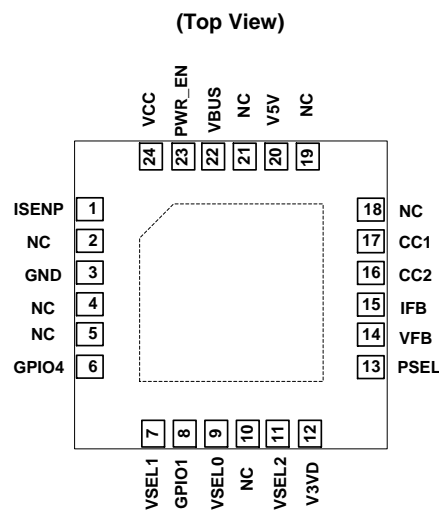
Features

- Compliant with USB PD Rev. 3.0 v1.2
- USB-IF certificated TID: 5000
- Supports up to eight voltage selections by pin setting
- Supports voltage selection with dynamic pin setting
- Supports power capability selection
- Supports flash FAULT LED indication for negotiation mismatch
- Supports OTP (One-Time-Programmable) for main firmware
- Supports OVP with hard reset and auto restart
- Supports driver for N-MOS VBUS power switch
- Supports dead-battery mode
- Operating voltage range: 3.3V to 24V
- **Totally Lead-Free & Fully RoHS Compliant (Notes 1 & 2)**
- **Halogen and Antimony Free. "Green" Device (Note 3)**
- **For automotive applications requiring specific change control (i.e. parts qualified to AEC-Q100/101/200, PPAP capable, and manufactured in IATF 16949 certified facilities), please [contact us](https://www.diodes.com/quality/product-definitions/) or your local Diodes representative.**

<https://www.diodes.com/quality/product-definitions/>

Notes: 1. No purposely added lead. Fully EU Directive 2002/95/EC (RoHS), 2011/65/EU (RoHS 2) & 2015/863/EU (RoHS 3) compliant.
 2. See <https://www.diodes.com/quality/lead-free/> for more information about Diodes Incorporated's definitions of Halogen- and Antimony-free, "Green" and Lead-free.
 3. Halogen- and Antimony-free "Green" products are defined as those which contain <900ppm bromine, <900ppm chlorine (<1500ppm total Br + Cl) and <1000ppm antimony compounds.

Pin Assignments



W-QFN4040-24 (Type A1)

Applications

- USB Type-C Connector-Equipped Battery-Powered Devices
- USB Type-C Connector-Equipped DC-Power Input Devices
- USB PD3.0 PPS Testers
- USB Type C-to-Traditional Barrel Connector Power Adaptor Cables

Typical Applications Circuit

The AP33771 is a USB Type-C power delivery sink controller and that is used to request power from a standard USB PD source adapter, as shown in the figure below.

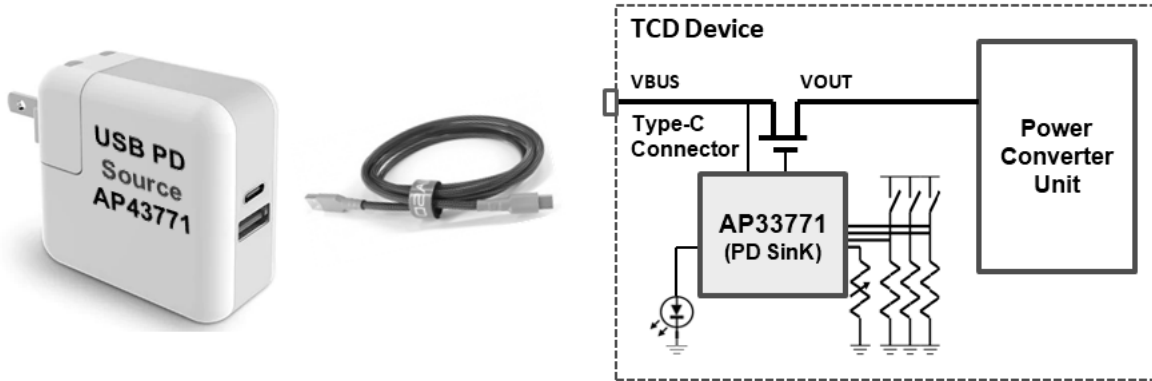


Figure 1. Typical Application structure of AP33771

The AP33771 can request power through the resistor setting. A typical setting of AP33771 to get a DC power is shown as below.

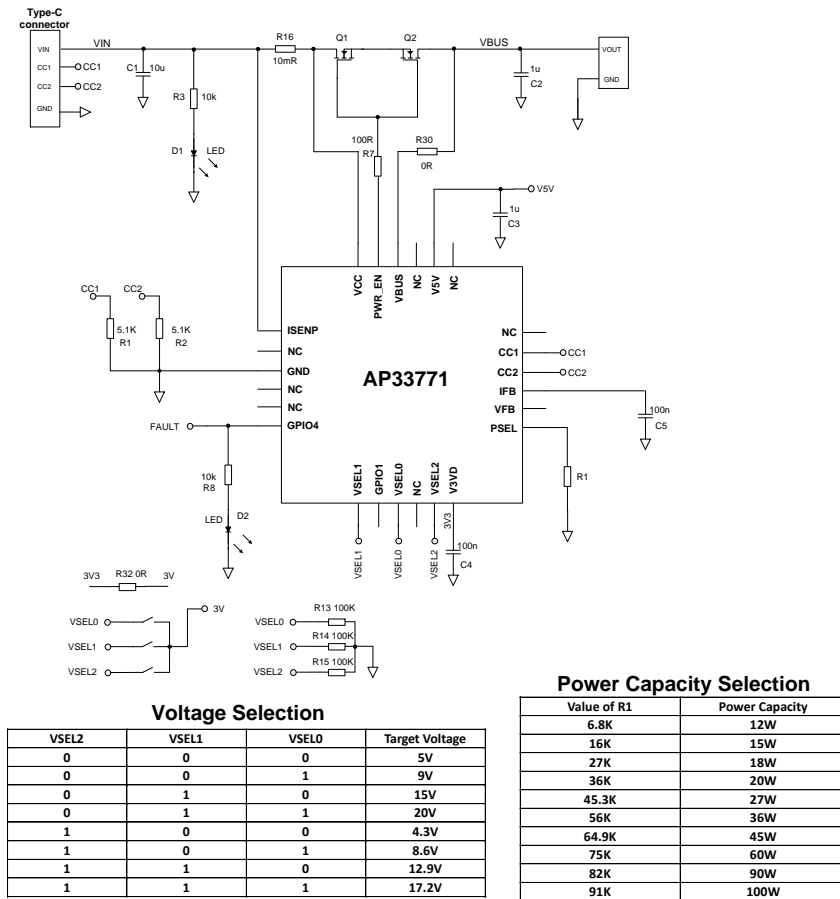


Figure 2. Typical Application Circuit of AP33771

Pin Descriptions

Pin No	Pin Name	Type*	Pin Function
1	ISENP	AIO	Current Sense Positive Node.
2	NC	—	No Connection
3	GND	GND	Ground
4	NC	—	No Connection
5	NC	—	No Connection
6	GPIO4	DIO	General Purpose Input/Output pin, for LED usage.
7	VSEL1	DIO	For Voltage Select Pin1
8	GPIO1	DIO	General Purpose Input / Output
9	VSEL0	DIO	For Voltage Select Pin0
10	NC	—	No Connection
11	VSEL2	DIO	For Voltage Select Pin2
12	V3VD	DP	3.3V LDO Output. Power for Digital circuit and Digital I/O pins, with 0.1 μ F to Ground
13	PSEL	AIO	For Power Capability Selection.
14	VFB	AI	For Voltage Measurement.
15	IFB	AI	For Current Measurement, with 100nF to Ground
16	CC2	AIO	Type-C configuration channel 2
17	CC1	AIO	Type-C configuration channel 1
18	NC	—	No Connection
19	NC	—	No Connection
20	V5V	AP	5V LDO output. Power for Analog circuit and Analog I/O pins, with 1 μ F to Ground
21	NC	—	No Connection
22	VBUS	AHV	Terminal for Discharge Path.
23	PWR_EN	AHV	To control external NMOS switch ON (High) or OFF (Low).
24	VCC	AHV	The power supply of the IC, connected to a ceramic capacitor.
—	EP	GND	Exposed pad is connected to Ground

*AHV – Analog High Voltage pin

*AP – Power for Analog Circuit and Analog I/O pins, 5.0V operation

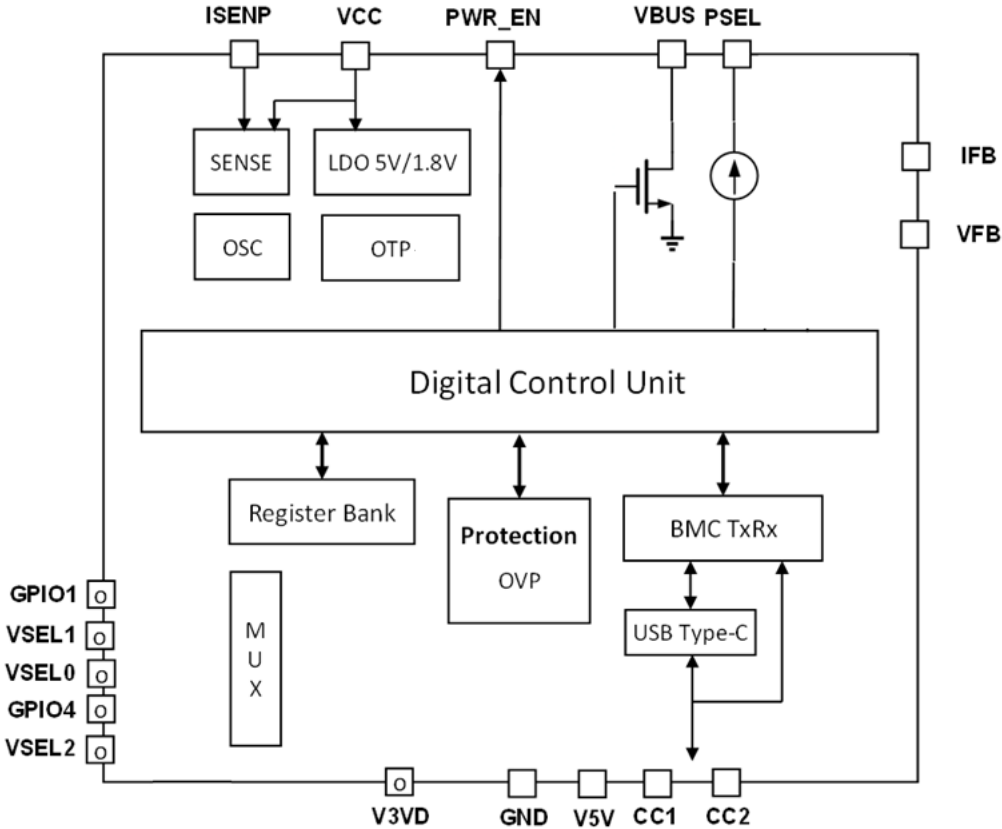
*AI – Analog Input pin

*DP – Power for Digital Circuit and I/O pins, 3.3V operation

*AIO – Analog I/O pin.

*DIO – Digital I/O pin.

Functional Block Diagram



Absolute Maximum Ratings (Note 4)

Symbol	Parameter	Rating	Unit
V _{CC}	Input Voltage at VCC Pin	-0.3 to 24	V
V _{FB} , V _{IFB} , V _{PSEL}	Input Voltage at VFB, IFB, PSEL Pins	-0.3 to 7	V
V _{BUS} , V _{PWR_EN} , V _{ISENP}	Input Voltage at VBUS, PWR_EN, ISENP Pins	-0.3 to 24	V
—	Voltage from PWR_EN to VCC Pin	-16 to 7	V
V _{V5V}	Input Voltage at V5V Pin	-0.3 to 7	V
V _{V3VD}	Input Voltage at V3VD Pin	-0.3 to 5	V
V _{CC1} , V _{CC2}	Input Voltage at CC1, CC2 Pins	-0.3 to 7	V
V _{GPIO1} , V _{GPIO4} , V _{VSEL0} – V _{VSEL2}	Input Voltage at GPIO1, GPIO4, VSEL0 – VSEL2 Pins	-0.3 to 5	V
T _J	Operating Junction Temperature	-40 to +150	°C
T _{STG}	Storage Temperature	-65 to +150	°C
T _{LEAD}	Lead Temperature (Soldering, 10s)	+300	°C
θ _{JA}	Thermal Resistance (Junction to Ambient) (Note 5)	28	°C/W
θ _{JC}	Thermal Resistance (Junction to Case) (Note 5)	16	°C/W
ESD	Human Body Model	2	kV
ESD	Charged Device Model	750	V

- Notes:
- Stresses greater than those listed under “*Absolute Maximum Ratings*” can cause permanent damage to the device. These are stress ratings only, and functional operation of the device at these or any other conditions beyond those indicated under “*Recommended Operating Conditions*” is not implied. Exposure to “*Absolute Maximum Ratings*” for extended periods can affect device reliability.
 - Test condition: Device mounted on FR-4 substrate PC board, 2oz copper, with the minimum footprint.

Recommended Operating Conditions

Symbol	Parameter	Min	Max	Unit
V _{CC}	Power Supply Voltage	3.3	24	V
V _{PSEL}	Input Voltage at PSEL Pin	0	3.7	V
V _{VSEL0} – V _{VSEL2}	Input Voltage at VSEL0 ~ VSEL2 Pins	0	3.7	V
V _{GPIO1} , V _{GPIO4}	Input Voltage at GPIO1, GPIO4 Pins	0	3.7	V
T _{OP}	Operating Temperature Range	-40	+85	°C

Electrical Characteristics (@ $T_A = +25^\circ\text{C}$, unless otherwise specified.)

Symbol	Parameter	Condition	Min	Typ	Max	Unit
VCC SECTION						
V_{ST}	Startup Voltage	—	2.5	2.8	3.2	V
V_{UVLO}	Minimum Operating Voltage	—	2.4	2.7	3	V
V_{CC_HYS}	V_{CC} Hysteresis ($V_{ST}-V_{UVLO}$)	—	0.05	—	—	V
$I_{CC_DEEP\ SLEEP}$	V_{IN} Current in Deep Sleep Mode	CC1/2 Detach after 3s $V_{CC} = 5V$	—	550	900	μA
I_{CC_OPR}	Operating Supply Current	$V_{CC} = 5V$	—	3.3	6	mA
CC1/CC2 SECTION						
V_{L_RD3A}	Low Voltage Threshold Used to Distinguish R_D Attached or Detached for 3A Delivery	—	—	1.35	—	V
V_{H_RD3A}	High Voltage Threshold Used to Distinguish R_D Attached or Detached for 3A Delivery	—	—	2.0	—	V
VOLTAGE SELECTION AND POWER SELECTION						
V_{VSEL_HI}	VSEL0 - VSEL2 High Voltage (Note 7)	$V_{CC} = 5V$	1.4	—	—	V
V_{VSEL_LO}	VSEL0 - VSEL2 Low Voltage (Note 7)	$V_{CC} = 5V$	—	—	0.4	V
T_{VSEL_S}	VSEL0 - VSEL2 Scan Interval	—	—	250	—	ms
T_{VSEL_TD}	VSEL0 - VSEL2 Trap Debounce	—	—	70	—	μs
I_{PSEL}	PSEL Current Source (Note 7)	—	—	20	—	μA
I_{PSEL_Range}	PSEL Current Source Range (Note 7)	—	-3	—	+3	%
GPIO SECTION						
V_{GPIO_HI}	GPIO1, GPIO4 High Voltage (Note 7)	$V_{CC} = 5V$	1.4	—	—	V
V_{GPIO_LO}	GPIO1, GPIO4 Low Voltage (Note 7)	$V_{CC} = 5V$	—	—	0.4	V
I_{GPIO}	GPIO1, GPIO4 Sink/Source Capability (Note 7)	—	2	—	—	mA
PROTECTION FUNCTION SECTION						
V_{OVP5V}	OVP_5V Enable Voltage (Note 6, 7)	—	—	7	—	V
V_{OVP20V}	OVP_20V Enable Voltage (Note 6, 7)	—	—	22	—	V
$t_{DEBOUNCE_OVP}$	OVP Debounce Time (Note 8)	—	—	90	—	ms
I_{OVD}	Overvoltage Discharge Current	$V_{CC} = 5V$	150	200	250	mA
t_{OV_DELAY}	Delay from OVP Threshold Trip to NMOS Gate Turn-Off (Note 7)	—	—	—	50	ms

Notes: 6. 110% OVP setting @PDO>18V. PDO+2V OVP setting @PDO≤18V.
7. Guaranteed by design.
8. OVP blanking time during V_O transition from high output voltage to low output voltage, such as 9V to 5V, or 12V to 5V.

Performance Characteristics

Function Description

The AP33771 meets USB Power Delivery specification Rev. 3.0 v1.2 (USB-IF certificated TID: 5000). The device provides a cost-effective solution without the need for external, discrete, high-voltage components like LDOs. During the protocol handshake process, packets are transmitted and received through the embedded BMC (Biphase Mark Coding) transceiver with good eye diagram and high noise immunity. The OTP ROM is also used to store main protocol, application firmware, and system configuration parameters. The desired PDO for the AP33771-embedded TCD can be specified through a resistor setting scheme.

CC Interface and BMC Transceiver

For inter-operability consideration, CC interface detection and the CC's BMC transceiver are optimally designed to maintain operating voltage tolerance and noise immunity.

USB Power Delivery Controller

To be in full compliance with critical USB Power Delivery specification Rev. 3.0 v1.2, the AP33771 is implemented through a combination of hardware and OTP firmware to leverage quick response time in hardware and flexibility in software.

Sink Voltage Selection

The AP33771 provides a search algorithm for voltage request through high/low voltage settings at the VSEL0, VSEL1, and VSEL2 pins. While the AP33771 latches the pin setting at power-on, the device auto-scans and periodically latches the pin setting. Both fixed PDO and PPS APDO in the PD source adapter are supported in the AP33771 voltage search algorithm. With the three-resistor-setting combination, the design may use the AP33771 to specify up to eight voltage levels to fit the needs of a specific TCD.

Power Capability Selection

With a small constant current source output from the PSEL pin, the AP33771 measures voltage level at the PSEL pin with the attached resistor through internal ADC. Up to ten power selections are supported. TCD designers are recommended to use the resistor within $\pm 1\%$ accuracy to connect to the PSEL pin, ensuring the request power selection.

NMOS VBUS Switch Control

Once the PDO negotiations are successful both in voltage selection and power selection, PWR_EN will enable NMOS VBUS switch. If any mismatch in voltage selection or power selection is found, the NMOS VBUS switch will not turn on.

LED Indication

GPIO4 is used to control LED flickering. The user is notified of the system status from the LED flashing pattern, defined in Table 1. Any non-PD power source is not supported in the AP33771, and the LED will show the mismatch accordingly.

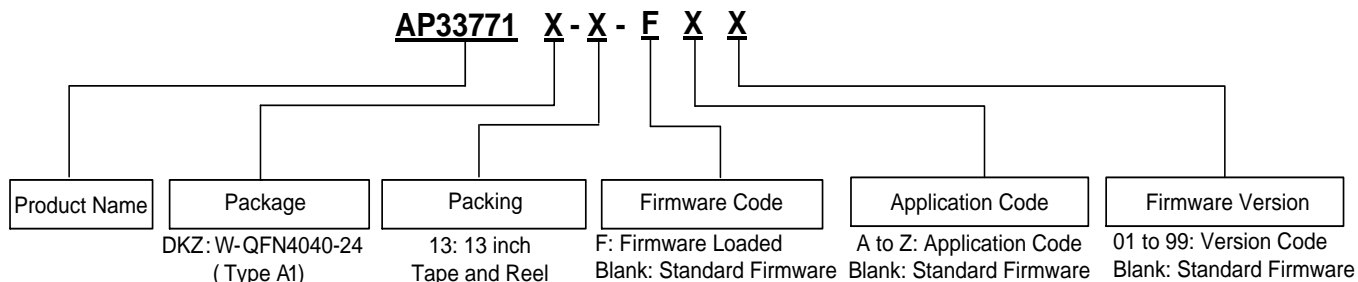
Condition	LED Pattern	Description
Charging	Breathing light (2s dimming)	1 cycle is 4s
Fully charged	Continuously lit	Charging current < 500mA
Mismatch	1s flicker	Voltage or power mismatch. Non-PD power source. 1 cycle is 2s
Fault	300ms flicker	OVP. 1 cycle is 600ms

Table 1 – LED Indication Table

OVP Protection

The AP33771 provides overvoltage protection (OVP) feature by sending a hard reset to the PD source when VBUS is higher than OVP threshold voltage. As soon as overvoltage conditions occur, the device provides an internal discharge path to reduce the overvoltage duration.

Ordering Information

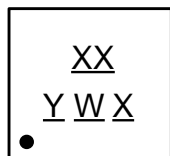


Part Number	Package	Identification Code	Packing		
			Quantity	Carrier	Part Number Suffix
AP33771DKZ-13-FXX	W-QFN4040-24 (Type A1)	6C	3000	13" Tape & Reel	-13

Marking Information

W-QFN4040-24

(Top View)

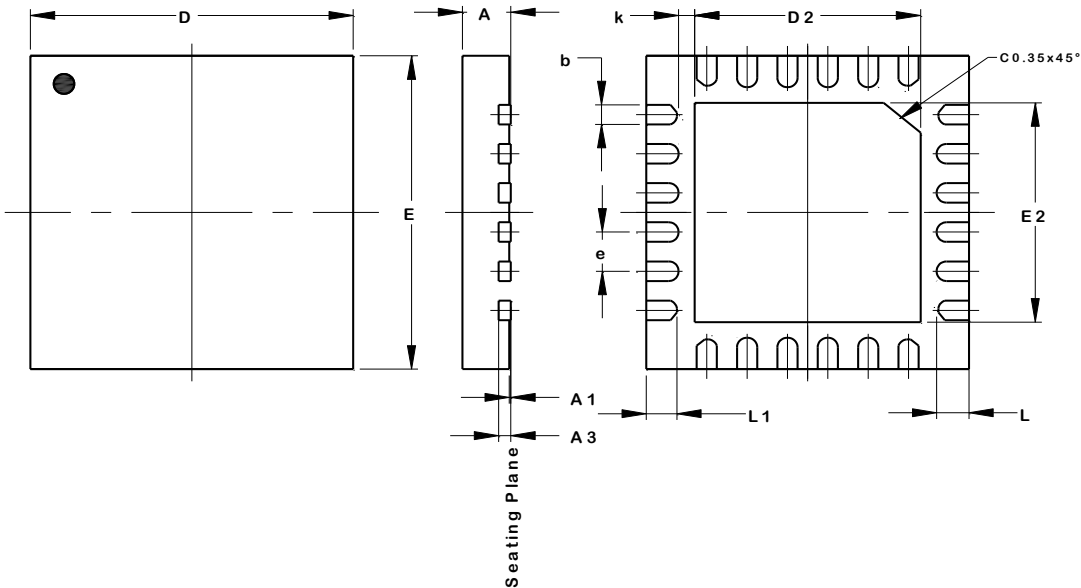


- XX : Identification Code
- Y : Year : 0~9
- W : Week : A~Z : 1~26 week;
a~z : 27~52 week; z represents
52 and 53 week
- X : Internal Code

Package Outline Dimensions

Please see <http://www.diodes.com/package-outlines.html> for the latest version.

W-QFN4040-24 (Type A1)

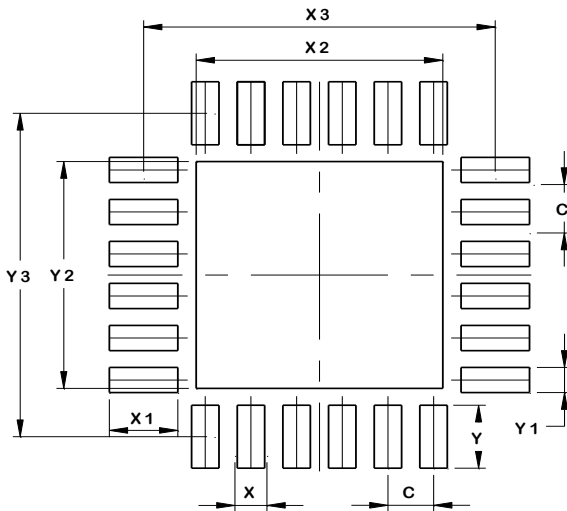


W-QFN4040-24 (Type A1)			
Dim	Min	Max	Typ
A	0.70	0.80	0.75
A1	0.00	0.05	0.02
A3	0.203 REF		
b	0.20	0.30	0.25
D	4.00 BSC		
D2	2.75	2.85	2.80
E	4.00 BSC		
E2	2.75	2.85	2.80
e	0.50 BSC		
k	0.20	--	--
L	0.35	0.45	0.40
L1	0.33	0.43	0.38
All Dimensions in mm			

Suggested Pad Layout

Please see <http://www.diodes.com/package-outlines.html> for the latest version.

W-QFN4040-24 (Type A1)



Dimensions	Value (in mm)
C	0.500
X	0.300
X1	0.750
X2	2.700
X3	3.850
Y	0.750
Y1	0.300
Y2	2.700
Y3	3.850

Mechanical Data

- Moisture Sensitivity: Level 1 per J-STD-020
- Terminals: Finish—Matte Tin Plated Leads, Solderable per J-STD-202 (e3)
- Weight: 0.041 grams (Approximate)

IMPORTANT NOTICE

1. DIODES INCORPORATED AND ITS SUBSIDIARIES (“DIODES”) MAKE NO WARRANTY OF ANY KIND, EXPRESS OR IMPLIED, WITH REGARDS TO ANY INFORMATION CONTAINED IN THIS DOCUMENT, INCLUDING, BUT NOT LIMITED TO, THE IMPLIED WARRANTIES OF MERCHANTABILITY, FITNESS FOR A PARTICULAR PURPOSE OR NON-INFRINGEMENT OF THIRD PARTY INTELLECTUAL PROPERTY RIGHTS (AND THEIR EQUIVALENTS UNDER THE LAWS OF ANY JURISDICTION).
2. The Information contained herein is for informational purpose only and is provided only to illustrate the operation of Diodes products described herein and application examples. Diodes does not assume any liability arising out of the application or use of this document or any product described herein. This document is intended for skilled and technically trained engineering customers and users who design with Diodes products. Diodes products may be used to facilitate safety-related applications; however, in all instances customers and users are responsible for (a) selecting the appropriate Diodes products for their applications, (b) evaluating the suitability of the Diodes products for their intended applications, (c) ensuring their applications, which incorporate Diodes products, comply the applicable legal and regulatory requirements as well as safety and functional-safety related standards, and (d) ensuring they design with appropriate safeguards (including testing, validation, quality control techniques, redundancy, malfunction prevention, and appropriate treatment for aging degradation) to minimize the risks associated with their applications.
3. Diodes assumes no liability for any application-related information, support, assistance or feedback that may be provided by Diodes from time to time. Any customer or user of this document or products described herein will assume all risks and liabilities associated with such use, and will hold Diodes and all companies whose products are represented herein or on Diodes’ websites, harmless against all damages and liabilities.
4. Products described herein may be covered by one or more United States, international or foreign patents and pending patent applications. Product names and markings noted herein may also be covered by one or more United States, international or foreign trademarks and trademark applications. Diodes does not convey any license under any of its intellectual property rights or the rights of any third parties (including third parties whose products and services may be described in this document or on Diodes’ website) under this document.
5. Diodes products are provided subject to Diodes’ Standard Terms and Conditions of Sale (<https://www.diodes.com/about/company/terms-and-conditions/terms-and-conditions-of-sales/>) or other applicable terms. This document does not alter or expand the applicable warranties provided by Diodes. Diodes does not warrant or accept any liability whatsoever in respect of any products purchased through unauthorized sales channel.
6. Diodes products and technology may not be used for or incorporated into any products or systems whose manufacture, use or sale is prohibited under any applicable laws and regulations. Should customers or users use Diodes products in contravention of any applicable laws or regulations, or for any unintended or unauthorized application, customers and users will (a) be solely responsible for any damages, losses or penalties arising in connection therewith or as a result thereof, and (b) indemnify and hold Diodes and its representatives and agents harmless against any and all claims, damages, expenses, and attorney fees arising out of, directly or indirectly, any claim relating to any noncompliance with the applicable laws and regulations, as well as any unintended or unauthorized application.
7. While efforts have been made to ensure the information contained in this document is accurate, complete and current, it may contain technical inaccuracies, omissions and typographical errors. Diodes does not warrant that information contained in this document is error-free and Diodes is under no obligation to update or otherwise correct this information. Notwithstanding the foregoing, Diodes reserves the right to make modifications, enhancements, improvements, corrections or other changes without further notice to this document and any product described herein. This document is written in English but may be translated into multiple languages for reference. Only the English version of this document is the final and determinative format released by Diodes.
8. Any unauthorized copying, modification, distribution, transmission, display or other use of this document (or any portion hereof) is prohibited. Diodes assumes no responsibility for any losses incurred by the customers or users or any third parties arising from any such unauthorized use.

Copyright © 2021 Diodes Incorporated

www.diodes.com