

# COM20010 ULANC

## Universal Local Area Network Controller with 1K x 8 On-Board RAM

### FEATURES

- 24-Pin ARCNET® Controller/Transceiver/  
Dual-Port RAM
- Ideal for Industrial/Factory Automation  
and Automotive Applications
- Deterministic, 2.5 Mbps, Token Passing  
Protocol
- Minimal Microcontroller and Media  
Interfaces
- Flexible Microcontroller Interface for  
Use with 80XX, 68XX, etc.
- Automatically Detects Type of  
Microcontroller Interface:
  - Non-Multiplexed or Multiplexed Bus
  - Separate  $\overline{RD}$  &  $\overline{WR}$  Lines or  $\overline{DIR}$  &  $\overline{DS}$   
Lines
- Full 1Kx8 On-Chip Dual-Port RAM
- Pin-for-Pin Functional Equivalent to  
COM20020
- Command Chaining for Top  
Performance
- Sequential Access to Internal RAM
- Software Programmable Node ID
- Duplicate Node ID Detection
- Powerful Diagnostics
- 24-Pin DIP or 28-Pin PLCC Package
- Flexible Media Interface:
  - Traditional Hybrid Interface for Long  
Distances
  - RS485 Differential Driver Interface for  
Low Cost, Low Power, High Reliability
  - Backplane Mode for Direct Connection to  
Media in Short Distance Applications
- Choice of Four 256-Byte Pages to Allow  
Two Pages Each for TX and RX, or Two  
512-Byte Pages to Allow One Page Each  
for TX and RX
- No Wait-State Arbitration
- Internal Clock Prescaler for Slower  
Network Speed without Slowing  
Arbitration
- Operating Temperature Range of  
-40°C to +85°C, or 0°C to +70°C
- Self-Reconfiguration Protocol
- Supports up to 255 Nodes
- Supports Various Network Topologies  
(Star, Tree, Bus...)
- CMOS, Single +5V Supply

### GENERAL DESCRIPTION

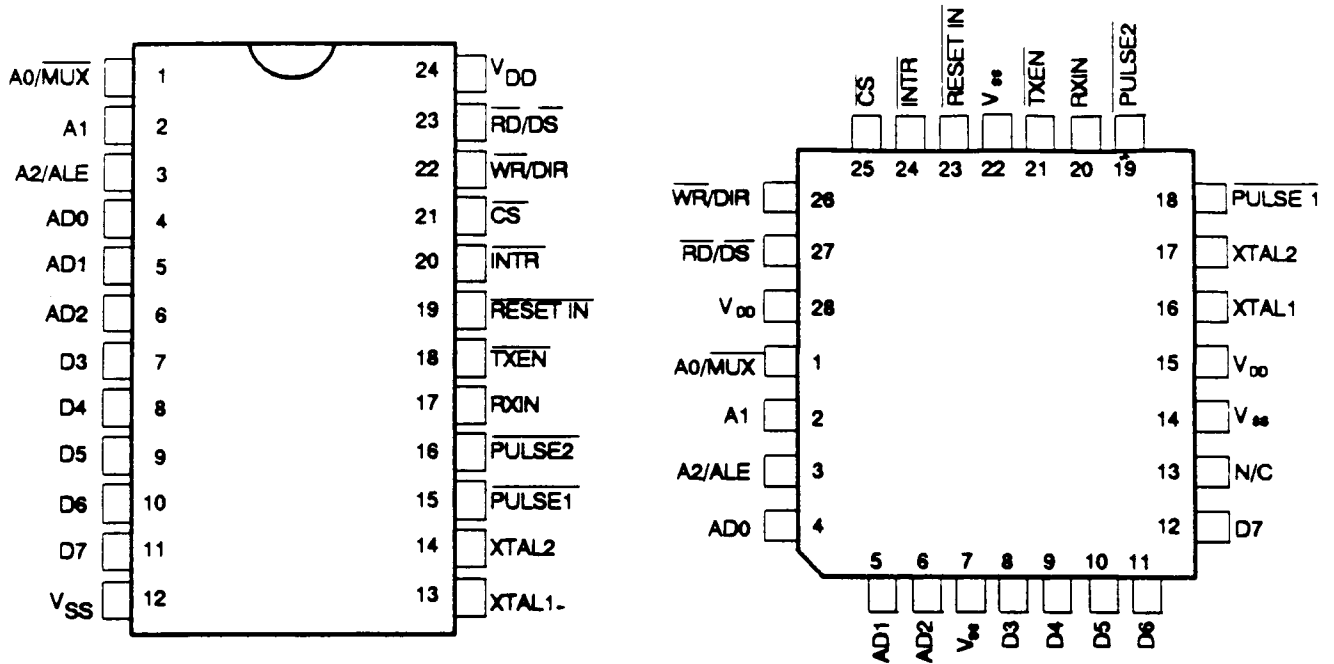
SMC's COM20010 is a new, low-cost member in Standard Microsystems Universal Local Area Network Controller (ULANC) family of integrated circuits. The device is a special purpose communications controller for networking microcontrollers and intelligent peripherals, in industrial and automotive settings, using the ARCNET Local Area Network protocol. The COM20010 is a pin-for-pin functional equivalent for the COM20020 with 1K x 8 on-board RAM. ARCNET is the ideal solution for factory automation applications because it provides a token-passing protocol, a highly reliable and proven networking scheme, and a data rate of 2.5 Mbps.

A token-passing protocol provides predictable response times because each network event occurs within a predetermined time interval, based upon the number of nodes on the network. The deterministic nature of ARCNET is essential in mission critical applications.

The integration of the 1Kx8 RAM buffer on-chip, the Command Chaining feature, the 2.5 Mbps data rate, and the internal diagnostics make the COM20010 one of the highest performance industrial communications device available. With only one COM20010 and one microcontroller, a complete ARCNET node may be implemented.

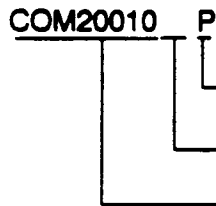
ARCNET is a registered trademark of Datapoint Corporation

# PIN CONFIGURATION



**Packages:** 24-Pin DIP or 28-Pin PLCC

**Ordering Information:**



**PACKAGE TYPE:** P = Plastic, LJP = PLCC

**TEMP. RANGE:** (Blank) = Commercial: 0° C to + 70° C,  
I = Industrial: -40° C to +85° C

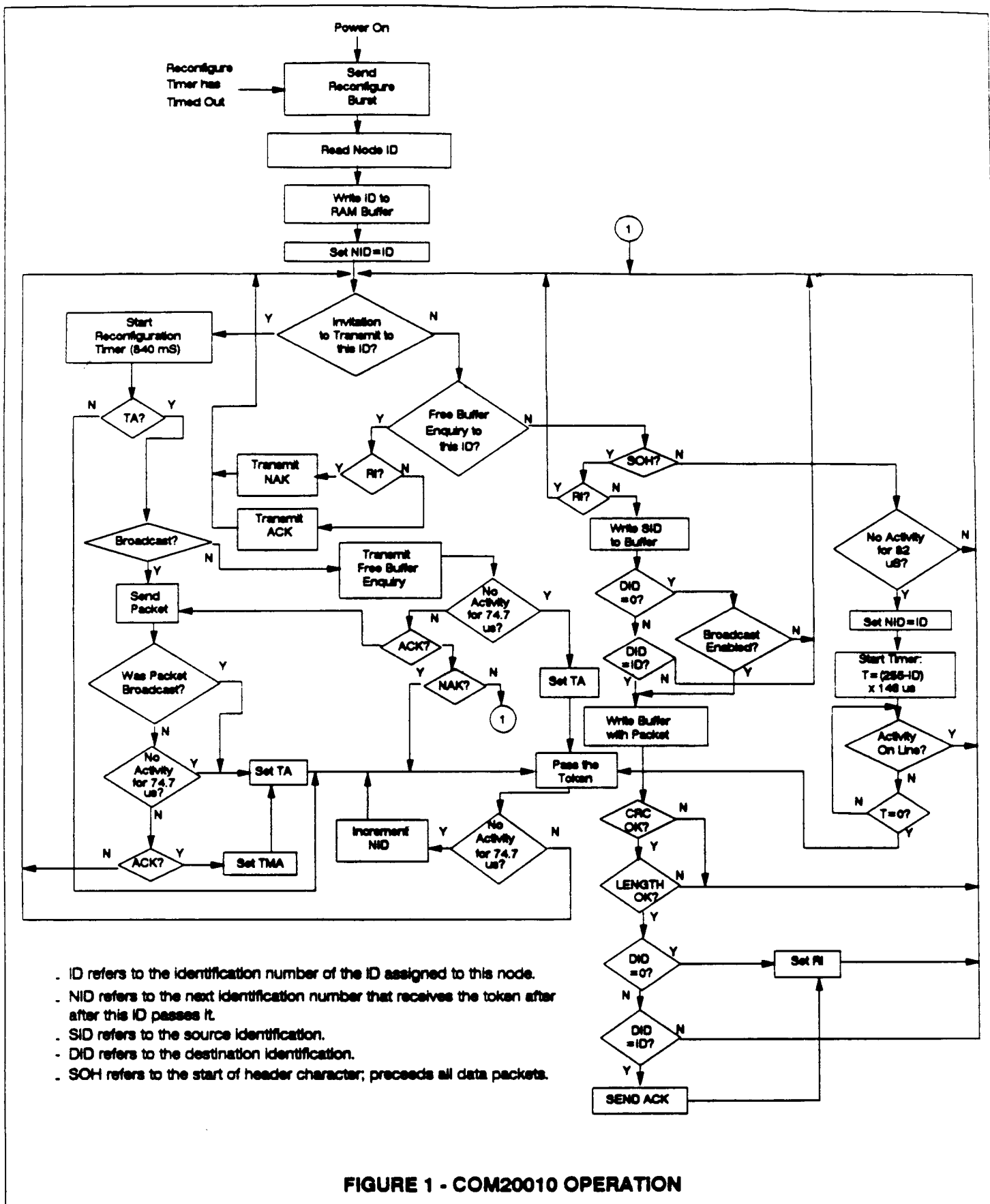
**DEVICE TYPE:** 20010 = Universal Local Area Network Controller  
with 1K X 8 On-Board RAM

## DESCRIPTION OF PIN FUNCTIONS

DIP PIN NO.	PLCC PIN NO.	NAME	SYMBOL	DESCRIPTION
<b>MICROCONTROLLER INTERFACE</b>				
1-3	1-3	Address 0-2	A0/ $\overline{\text{MUX}}$ , A1,A2/ALE	Input. On a non-multiplexed bus, these signals are directly connected to the low bits of the host address bus. On a multiplexed address/data bus, A0/ $\overline{\text{MUX}}$ is tied low, A1 is left open, and A2 is tied to the Address Latch Enable signal of the host. A1 is connected to an internal pull-up resistor.
4-11	4-6,8-12	Data 0-7	AD0-AD2, D3-D7	Input/Output. On a non-multiplexed bus, these signals are used as the data lines for the device. On a multiplexed address/data bus, AD0-AD2 act as the address lines (latched by ALE) and as the low data lines for the device. D3-D7 are always used for data only. These signals are connected to internal pull-up resistors.
23	27	$\overline{\text{Read/Data Strobe}}$	$\overline{\text{RD/DS}}$	Input. On a 68XX-like bus, this active low signal is issued by the microcontroller as the data strobe signal to strobe the data onto the bus. On a 80XX-like bus, this active low signal is issued by the microcontroller to indicate a read operation. In this case, a logic "0" on this pin, when the COM20010 is accessed, enables data from the device to the data bus to be read by the microcontroller.
22	26	$\overline{\text{Write/Direction}}$	$\overline{\text{WR/DIR}}$	Input. On a 68XX-like bus, this signal is issued by the microcontroller as the Read/Write signal to determine the direction of data transfer. In this case, a logic "1" selects a read operation, while a logic "0" selects a write operation. In this case, data is actually strobed by the $\overline{\text{DS}}$ signal. On an 80XX-like bus, this active low signal is issued by the microcontroller to indicate a write operation. In this case, a logic "0" on this pin, when the COM20010 is accessed, enables data from the data bus to be written to the device.

## DESCRIPTION OF PIN FUNCTIONS

DIP PIN NO.	PLCC PIN NO.	NAME	SYMBOL	DESCRIPTION
19	23	$\overline{\text{Reset in}}$	$\overline{\text{RESET IN}}$	Input. This active low signal issued by the microcontroller executes a hardware reset. It is used to activate the internal reset circuitry within the COM20010.
20	24	$\overline{\text{Interrupt}}$	$\overline{\text{INTR}}$	Output. This active low signal is generated by the COM20010 when an enabled interrupt condition occurs. $\overline{\text{INTR}}$ returns to its inactive state when the interrupt status condition or the corresponding interrupt mask bit is reset.
21	25	$\overline{\text{Chip Select}}$	$\overline{\text{CS}}$	Input. This active low signal issued by the microcontroller selects the COM20010 for an access.
<b>TRANSMISSION MEDIA INTERFACE</b>				
16,15	19,18	$\overline{\text{Pulse 2, Pulse 1}}$	$\overline{\text{PULSE2, PULSE1}}$	Output. In Normal Mode, these active low signals carry the transmit data information, encoded in pulse format, from the COM20010 to the media driver circuitry. When the device is in Backplane Mode, the $\overline{\text{PULSE1}}$ signal is an open-drain driver, while the $\overline{\text{PULSE2}}$ signal provides a clock with frequency of crystal/4. $\overline{\text{PULSE1}}$ is connected to a weak internal pull-up resistor in backplane mode.
17	20	Receive In	RXIN	Input. This signal carries the receive data information from the line receiver circuitry to the COM20010.
18	21	$\overline{\text{Transmit Enable}}$	$\overline{\text{TXEN}}$	Output. This active low signal is used in Backplane Mode to enable the line drivers for transmission.
<b>MISCELLANEOUS</b>				
13,14	16,17	Crystal Oscillator	XTAL1, XTAL2	An external crystal should be connected to these pins. If an external TTL clock is used instead, it must be connected to XTAL1 with a 390Ω pull-up resistor, and XTAL2 should be left floating.
24	15,28	Power Supply	V <sub>DD</sub>	+ 5 Volt Power Supply pin.
12	7,14,22	Ground	V <sub>SS</sub>	Ground pin.



- . ID refers to the identification number of the ID assigned to this node.
- . NID refers to the next identification number that receives the token after after this ID passes it.
- . SID refers to the source identification.
- . DID refers to the destination identification.
- . SOH refers to the start of header character; precedes all data packets.

FIGURE 1 - COM20010 OPERATION

## PROTOCOL DESCRIPTION

### NETWORK PROTOCOL

Communication on the network is based on a token passing protocol. Establishment of the network configuration and management of the network protocol are handled entirely by the COM20010's internal microcoded sequencer. A processor or intelligent peripheral transmits data by simply loading a data packet and its destination ID into the COM20010's RAM buffer, and issuing a command to enable the transmitter. When the COM20010 next receives the token, it verifies that the receiving node is ready by first transmitting a FREE BUFFER ENQUIRY message. If the receiving node transmits an ACKnowledge message, the data packet is transmitted followed by a 16-bit CRC. If the receiving node cannot accept the packet (typically its receiver is inhibited), it transmits a Negative AcKnowledge message and the transmitter passes the token. Once it has been established that the receiving node can accept the packet and transmission is complete, the receiving node verifies the packet. If the packet is received successfully, the receiving node transmits an ACKnowledge message (or nothing if it is not received successfully) allowing the transmitter to set the appropriate status bits to indicate successful or unsuccessful delivery of the packet. An interrupt mask permits the COM20010 to generate an interrupt to the processor when selected status bits become true. Figure 1 is a flow chart illustrating the internal operation of the COM20010.

### NETWORK RECONFIGURATION

A significant advantage of the COM20010 is its ability to adapt to changes on the network. Whenever a new node is activated or deactivated, a NETWORK RECONFIGURATION is performed. When a new COM20010 is turned on (creating a new active node on the

network), or if the COM20010 has not received an INVITATION TO TRANSMIT for 840ms, or if a software reset occurs, the COM20010 causes a NETWORK RECONFIGURATION by sending a RECONFIGURE BURST consisting of eight marks and one space repeated 765 times. The purpose of this burst is to terminate all activity on the network. Since this burst is longer than any other type of transmission, the burst will interfere with the next INVITATION TO TRANSMIT, destroy the token and keep any other node from assuming control of the line.

When any COM20010 senses an idle line for greater than  $82\mu\text{S}$ , which occurs only when the token is lost, each COM20010 starts an internal timeout equal to  $146\mu\text{s}$  times the quantity 255 minus its own ID. It also sets the internally stored NID (next ID representing the next possible ID node) equal to its own ID. If the timeout expires with no line activity, the COM20010 starts sending INVITATION TO TRANSMIT with the Destination ID (DID) equal to the currently stored NID. Within a given network, only one COM20010 will timeout (the one with the highest ID number). After sending the INVITATION TO TRANSMIT, the COM20010 waits for activity on the line. If there is no activity for  $74.7\mu\text{S}$ , the COM20010 increments the NID value and transmits another INVITATION TO TRANSMIT using the NID equal to the DID. If activity appears before the  $74.7\mu\text{S}$  timeout expires, the COM20010 releases control of the line. During NETWORK RECONFIGURATION, INVITATIONS TO TRANSMIT are sent to all NIDs.

Each COM20010 on the network will finally have saved a NID value equal to the ID of the COM20010 that it released control to. At this point, control is passed directly from one node to the next with no wasted INVITATIONS TO TRANSMIT being sent to ID's not on the network, until the next NETWORK

**RECONFIGURATION** occurs. When a node is powered off, the previous node attempts to pass the token to it by issuing an **INVITATION TO TRANSMIT**. Since this node does not respond, the previous node times out and transmits another **INVITATION TO TRANSMIT** to an incremented ID and eventually a response will be received.

The **NETWORK RECONFIGURATION** time depends on the number of nodes in the network, the propagation delay between nodes, and the highest ID number on the network, but is typically within the range of 24 to 61 ms.

### **BROADCAST MESSAGES**

Broadcasting gives a particular node the ability to transmit a data packet to all nodes on the network simultaneously. ID zero is reserved for this feature and no node on the network can be assigned ID zero. To broadcast a message, the transmitting node's processor simply loads the RAM buffer with the data packet and sets the DID equal to zero. Figure 7 illustrates the position of each byte in the packet with the DID residing at address 1H of the current page selected in the "Enable Transmit from Page fnn" command. Each individual node has the ability to ignore broadcast messages by setting the most significant bit of the "Enable Receive to Page fOn" command (see Table 6) to a logic "0".

### **EXTENDED TIMEOUT FUNCTION**

There are three timeouts associated with the COM20010 operation. The values of these timeouts are controlled by bits 3 and 4 of the Configuration Register.

#### **Response Time**

The Response Time determines the maximum propagation delay allowed between any two nodes, and should be chosen to be larger than

the round trip propagation delay between the two furthest nodes on the network plus the maximum turn around time (the time it takes a particular COM20010 to start sending a message in response to a received message) which is approximately  $12.7\mu\text{S}$ . The round trip propagation delay is a function of the transmission media and network topology. For a typical system using RG62 coax in a baseband system, a one way cable propagation delay of  $31\mu\text{S}$  translates to a distance of about 4 miles. The flow chart in Figure 1 uses a value of  $74.7\mu\text{S}$  ( $31 + 31 + 12.7$ ) to determine if any node will respond.

#### **Idle Time**

The Idle Time is associated with a **NETWORK RECONFIGURATION**. Figure 1 illustrates that during a **NETWORK RECONFIGURATION** one node will continually transmit **INVITATIONS TO TRANSMIT** until it encounters an active node. All other nodes on the network must distinguish between this operation and an entirely idle line. During **NETWORK RECONFIGURATION**, activity will appear on the line every  $82\mu\text{S}$ . This  $82\mu\text{S}$  is equal to the Response Time of  $74.7\mu\text{S}$  plus the time it takes the COM20010 to start retransmitting another message (usually another **INVITATION TO TRANSMIT**).

#### **Reconfiguration Time**

If any node does not receive the token within the Reconfiguration Time, the node will initiate a **NETWORK RECONFIGURATION**. The ET2 and ET1 bits of the Configuration Register allow the network to operate over longer distances than the 4 miles stated earlier. The logic levels on these bits control the maximum distances over which the COM20010 can operate by controlling the three timeout values described above. For proper network operation, all COM20010's connected to the same network must have the same Response Time, Idle Time, and Reconfiguration Time.

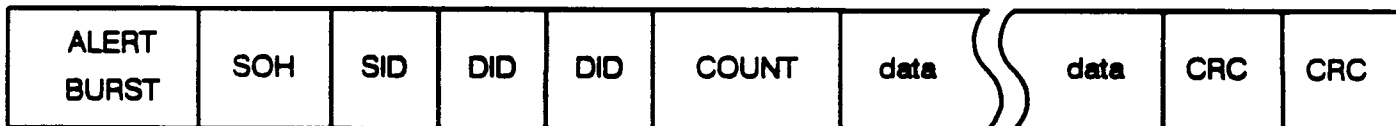
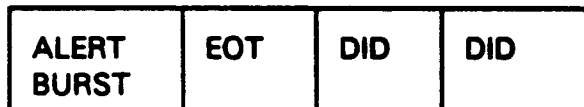
## LINE PROTOCOL

The ARCNET line protocol is considered isochronous because each byte is preceded by a start interval and ended with a stop interval. Unlike asynchronous protocols, there is a constant amount of time separating each data byte. Each byte takes exactly 11 clock intervals of 400ns each. As a result, one byte is transmitted every 4.4µS and the time to transmit a message can be precisely determined. The line idles in a spacing (logic "0") condition. A logic "0" is defined as no line activity and a logic "1" is defined as a negative pulse of 200ns duration. A transmission starts with an ALERT BURST consisting of 6 unit intervals of mark (logic "1"). Eight bit data characters are then sent, with each character preceded by 2 unit intervals of mark and one unit interval of space. Five types of transmission can be performed as described below:

### Invitations To Transmit

An Invitation To Transmit is used to pass the token from one node to another and is sent by the following sequence:

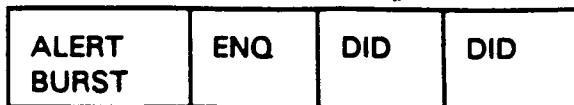
- An ALERT BURST
- An EOT (End Of Transmission: ASCII code 04H)
- Two (repeated) DID (Destination ID) characters



## Free Buffer Enquiries

A Free Buffer Enquiry is used to ask another node if it is able to accept a packet of data. It is sent by the following sequence:

- An ALERT BURST
- An ENQ (ENquiry: ASCII code 85H)
- Two (repeated) DID (Destination ID) characters



## Data Packets

A Data Packet consists of the actual data being sent to another node. It is sent by the following sequence:

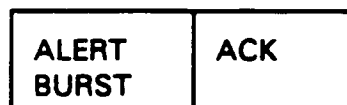
- An ALERT BURST
- An SOH (Start Of Header--ASCII code 01H)
- An SID (Source ID) character
- Two (repeated) DID (Destination ID) characters
- A single COUNT character which is the 2's complement of the number of data bytes to follow if a short packet is sent, or 00H followed by a COUNT character if a long packet is sent
- N data bytes where COUNT = 256-N (or 512-N for a long packet)
- Two CRC (Cyclic Redundancy Check) characters. The CRC polynomial used is:  $X^{16} + X^{15} + X^2 + 1$ .



## Acknowledgements

An Acknowledgement is used to acknowledge reception of a packet or as an affirmative response to FREE BUFFER ENQUIRIES and is sent by the following sequence:

- An ALERT BURST
- An ACK (ACKnowledgement--ASCII code 86H) character



## Negative Acknowledgements

A Negative Acknowledgement is used as a negative response to FREE BUFFER ENQUIRIES and is sent by the following sequence:

- An ALERT BURST
- A NAK (Negative Acknowledgement--ASCII code 15H) character



---

## SYSTEM DESCRIPTION

### MICROCONTROLLER INTERFACE

The left halves of Figures 2 and 3 illustrate typical COM20010 interfaces to the microcontrollers. The interfaces consist of an 8-bit data bus, an address bus, and a control bus. In order to support a wide range of microcontrollers without requiring glue logic and without increasing the number of pins, the COM20010 automatically detects and adapts to the type of microcontroller being used.

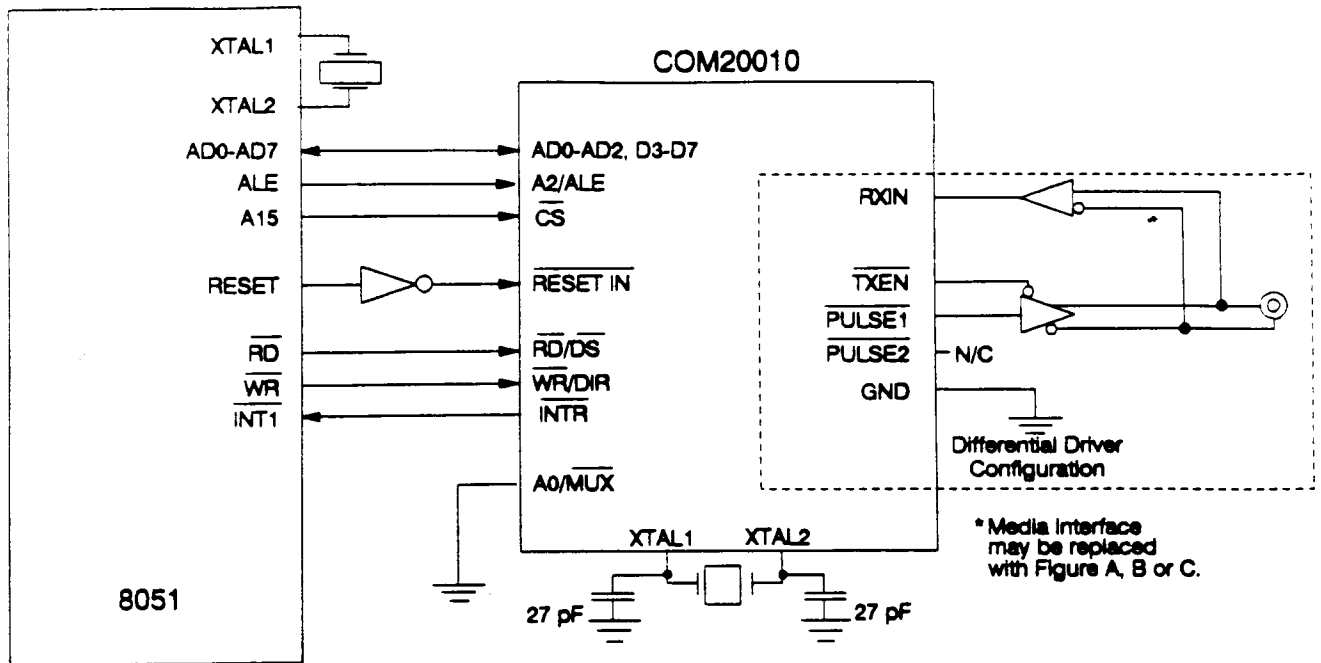
Upon hardware reset, the COM20010 first determines whether the read and write control signals are separate READ and WRITE signals (like the 80XX) or DIRECTION and DATA STROBE (like the 68XX). To determine the type of control signals, the device requires the software to execute at least one write access to external memory before attempting to access the COM20010. The device defaults to 80XX-like signals. Once the type of control signals are determined, the COM20010 remains in this interface mode until the next hardware reset occurs.

The second determination the COM20010 makes is whether the bus is multiplexed or non-

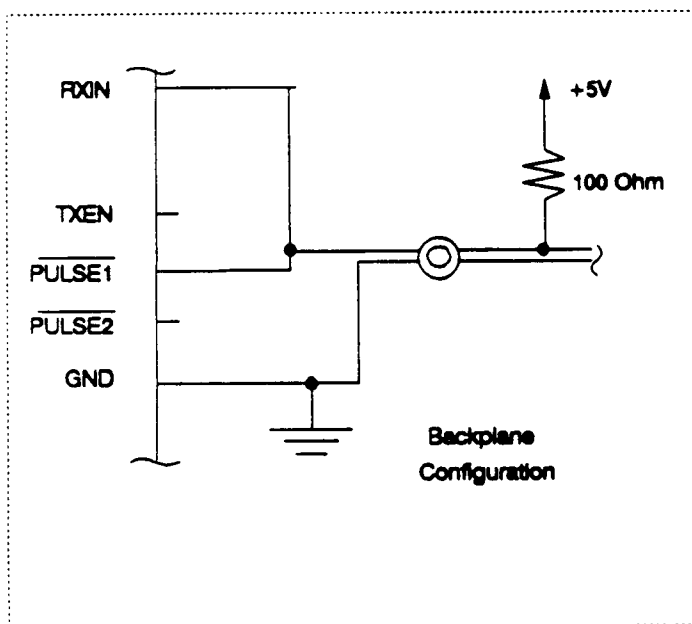
multiplexed. To determine the type of bus, the device requires the software to access an odd external memory location before attempting to access the COM20010. The A0 bit of the odd access tells the COM20010 the type of bus. Since multiplexed operation requires A0 to be grounded, activity on the A0 line tells the COM20010 that the bus is non-multiplexed. The device defaults to multiplexed operation.

Both determinations may be made simultaneously by performing a single write to an odd external memory location. Once the type of bus is determined, the COM20010 remains in this interface mode until hardware reset occurs. Whenever  $\overline{CS}$  is activated, the preset determinations are assumed as final and will not be changed until hardware reset. Refer to Description of Pin Functions for details on the related signals.

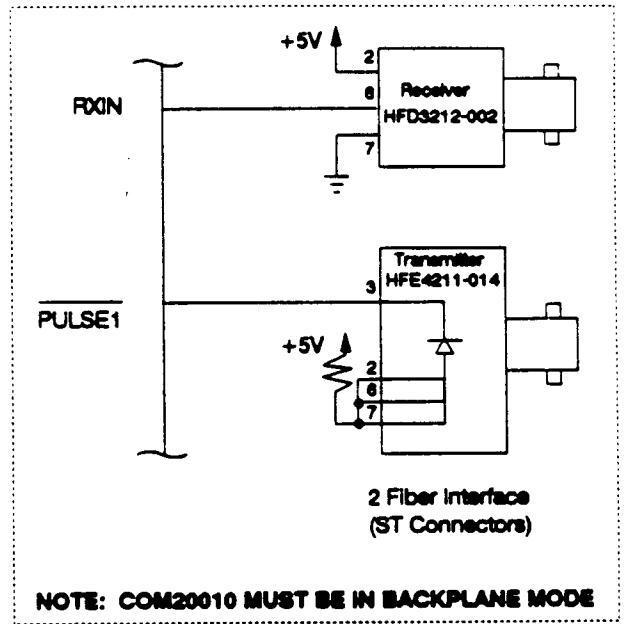
All accesses to the internal RAM and the internal registers are controlled by the COM20010. The internal RAM is accessed via a pointer-based scheme (refer to the Sequential Access Memory section), and the internal registers are accessed via direct addressing.



**FIGURE 2 - MULTIPLEXED, 8051-LIKE BUS INTERFACE**



**FIGURE A**



**NOTE: COM20010 MUST BE IN BACKPLANE MODE**

**FIGURE B**

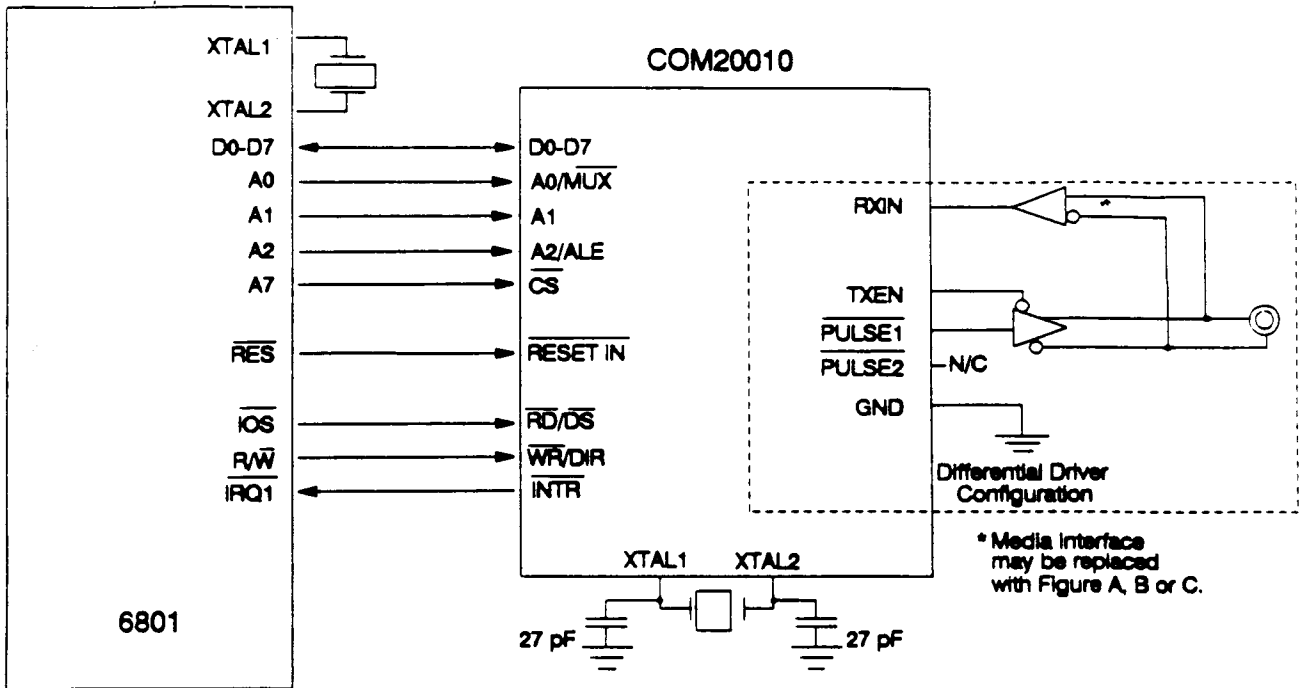


FIGURE 3 - NON-MULTIPLEXED, 6801-LIKE BUS INTERFACE

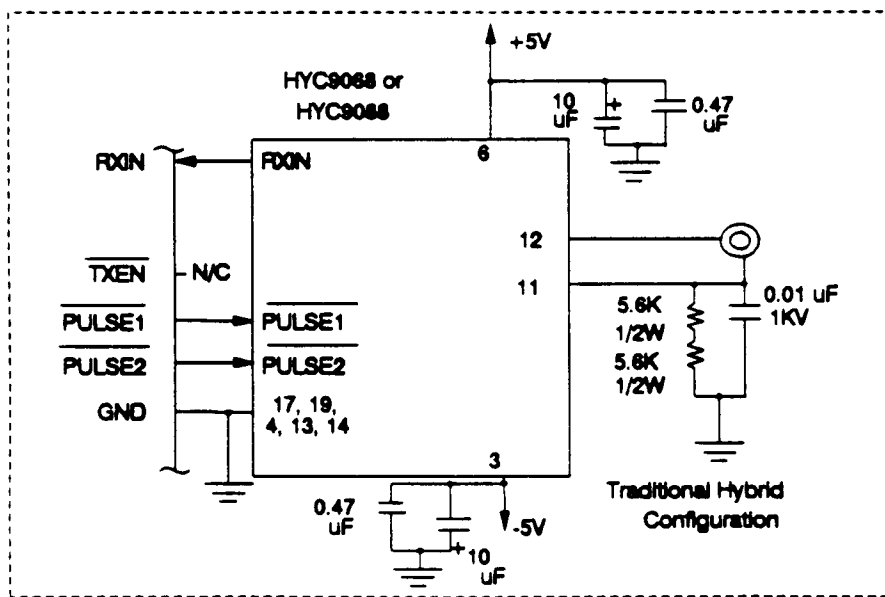


FIGURE C

Many peripherals are not fast enough to take advantage of high-speed microcontrollers. Since microcontrollers do not typically have READY inputs, standard peripherals cannot extend cycles to extend the access time. The access time of the COM20010, on the other hand, is so fast that it does not need to limit the speed of the microcontroller. The COM20010 is designed to be flexible so that it is independent of the microcontroller speed.

The COM20010 provides for no wait state arbitration via direct addressing to its internal registers and a pointer based addressing scheme to access its internal RAM. The pointer may be used in auto-increment mode for typical sequential buffer emptying or loading, or it can be taken out of auto-increment mode to perform random accesses to the RAM. The data within the RAM is accessed through the data register. Data being read is prefetched from memory and placed into the data register for the microcontroller to read. During a write operation, the data is stored in the data register and then written into memory. Whenever the pointer is loaded for reads with a new value, data is immediately prefetched to prepare for the first read operation.

## TRANSMISSION MEDIA INTERFACE

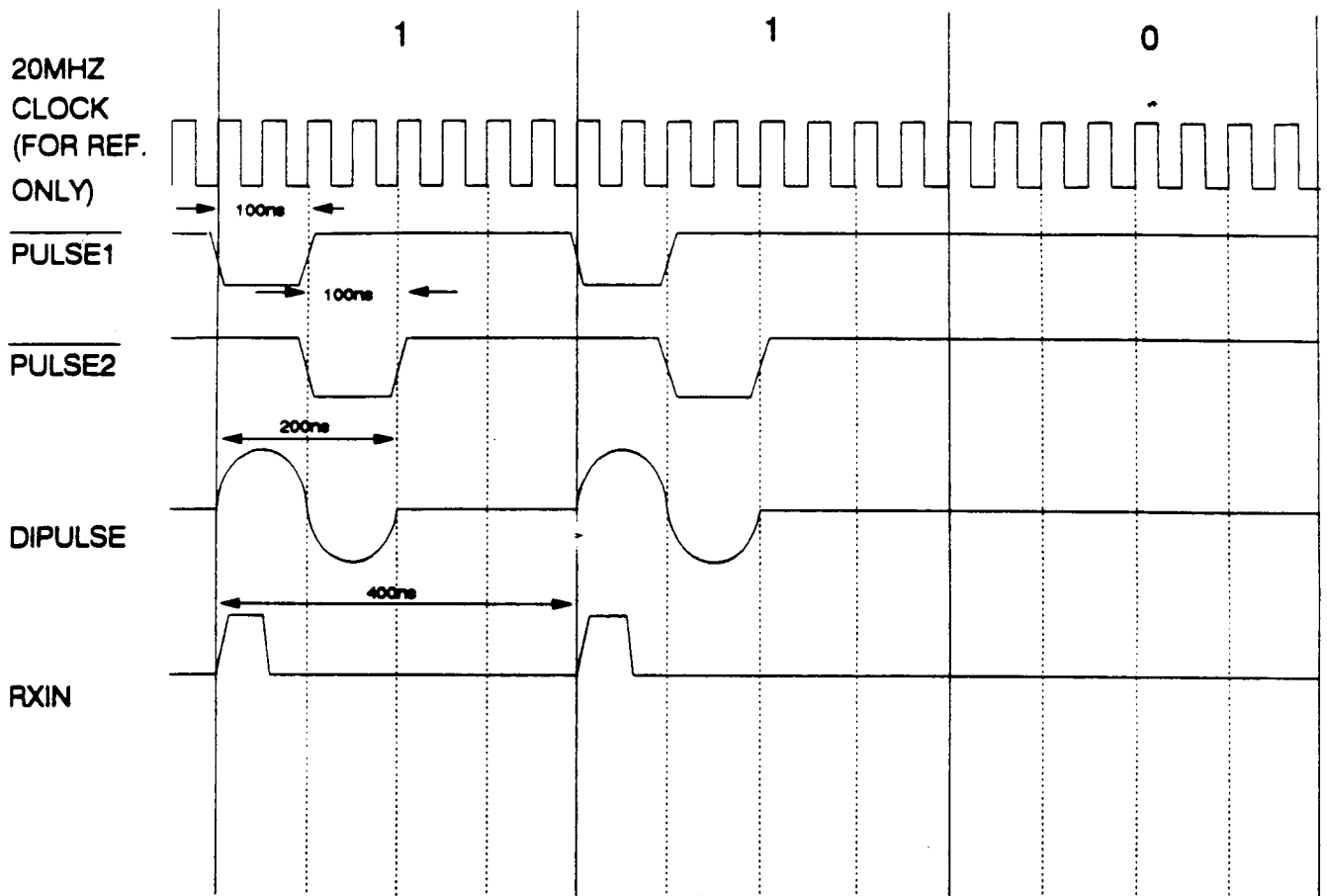
The right halves of Figures 2 and 3 illustrate the COM20010 interface to the transmission media used to connect the node to the network. Table 1 lists different types of cable which are suitable for ARCNET applications.<sup>1</sup> The user

may interface to the cable of choice in one of three ways:

### Traditional Hybrid Interface

The Traditional Hybrid Interface is that which is used with previous ARCNET devices. The Hybrid Interface is recommended if the node is to be placed in a network with other Hybrid-Interfaced nodes. Also, the transformer coupling of the Hybrid offers isolation for the safety of the system and offers high Common Mode Rejection. The Traditional Hybrid Interface uses circuits like SMC's HYC9068 or HYC9088 to transfer the pulse-encoded data between the cable and the COM20010. The COM20010 transmits a logic "1" by generating two 100nS non-overlapping negative pulses, PULSE1 and PULSE2. Lack of pulses indicates a logic "0". The PULSE1 and PULSE2 signals are sent to the Hybrid, which creates a 200nS dipulse signal on the media. A logic "0" is transmitted by the absence of the dipulse. During reception, the 200nS dipulse appearing on the media is coupled through the RF transformer of the LAN Driver, which produces a positive pulse at the RXIN pin of the COM20010. The pulse on the RXIN pin represents a logic "1". Lack of pulse represents a logic "0". Typically, RXIN pulses occur at multiples of 400nS. The COM20010 can tolerate distortion of plus or minus 100nS and still correctly capture and convert the RXIN pulses to NRZ format. Figure 4 illustrates the events which occur in transmission or reception of data consisting of 1, 1, 0.

<sup>1</sup> Please refer to TN7-5 - Cabling Guidelines for the COM20020 ULANC, available from SMC, for recommended cabling distance, termination, and node count for RS-485 nodes.



**FIGURE 4 - DIPULSE WAVEFORM FOR DATA OF 1-1-0**

## Backplane Open Drain Configuration

The Backplane Open Drain Configuration is recommended for cost-sensitive, short-distance applications like backplanes and instrumentation. This mode is advantageous because it saves components, cost, and power.

Since the Backplane Configuration encodes data differently than the traditional Hybrid Configuration, nodes utilizing the Backplane Configuration cannot communicate directly with nodes utilizing the Traditional Hybrid Configuration.

The Backplane Configuration does not isolate the node from the media nor protect it from Common Mode noise, but Common Mode Noise is less of a problem in short distances.

The Backplane Configuration provides for direct connection between the COM20010 and the media. Only one pull-up resistor is required somewhere on the media (not on each individual node). The  $\overline{\text{PULSE1}}$  signal, in this mode, is an open drain driver and is used to directly drive the media. It issues a 200nS negative pulse to transmit a logic "1".

The  $\overline{\text{PULSE1}}$  signal actually contains a weak pull-up resistor. This pull-up should not take the place of the resistor required on the media. In typical applications, the serial backplane is terminated at both ends and a bias is provided by the external pull-up resistor.

The RXIN signal is directly connected to the cable via an internal Schmitt trigger. A negative pulse on this input indicates a logic "1". Lack of pulse indicates a logic "0". For typical single-ended backplane applications, RXIN is connected to  $\overline{\text{PULSE1}}$  to make the serial backplane data line. A ground line (from the coax or twisted pair) should run in parallel with

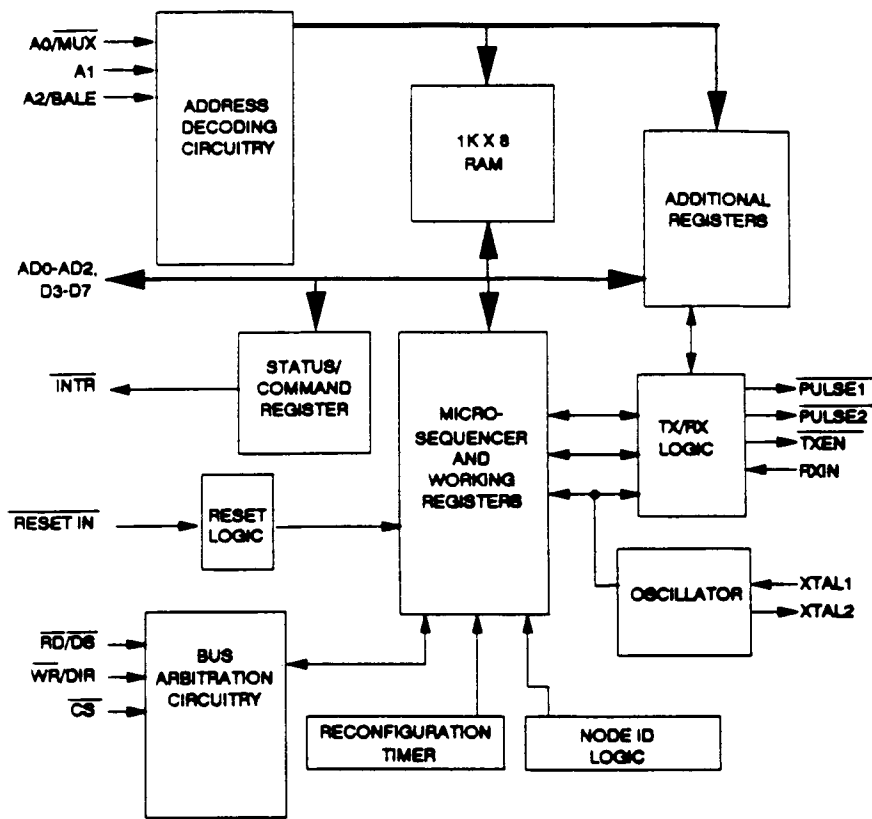
the signal. For applications requiring different treatment of the receive signal (like filtering or squelching),  $\overline{\text{PULSE1}}$  and RXIN remain as independent pins. External differential drivers/receivers for increased range and common mode noise rejection, for example, would require the signals to be independent of one another. When the device is in Backplane Mode, the clock provided by the  $\overline{\text{PULSE2}}$  signal may be used for encoding the data into a different encoding scheme or other synchronous operations needed on the serial data stream.

## Differential Driver Configuration

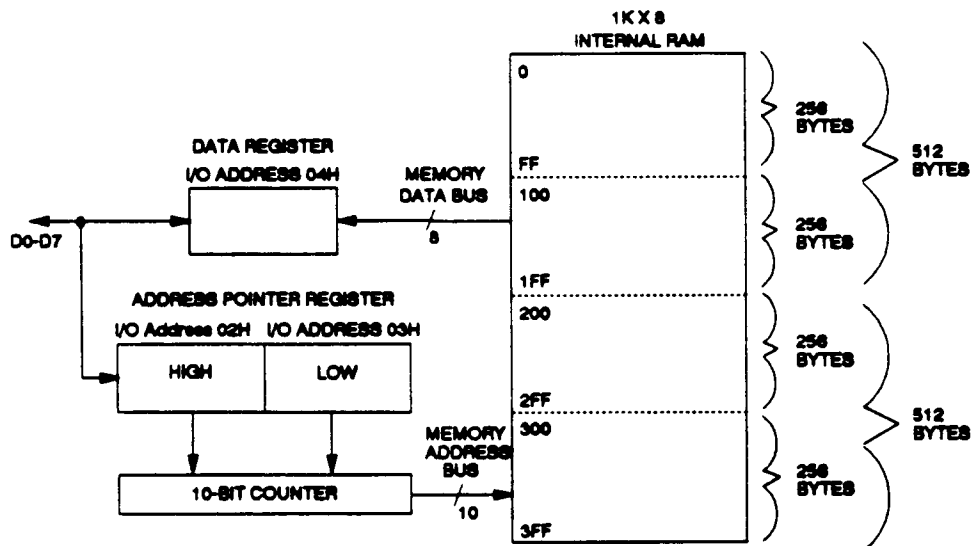
The Differential Driver Configuration is a special case of the Backplane Mode. It is a dc coupled configuration recommended for applications like car-area networks or other cost-sensitive applications which do not require direct compatibility with existing ARCNET nodes and do not require isolation.

The Differential Driver Configuration cannot communicate directly with nodes utilizing the Traditional Hybrid Configuration. Like the Backplane Configuration, the Differential Driver Configuration does not isolate the node from the media.

The Differential Driver interface includes a RS485 Driver/Receiver to transfer the data between the cable and the COM20010. The  $\overline{\text{PULSE1}}$  signal transmits the data, provided the Transmit Enable signal is active. The  $\overline{\text{PULSE1}}$  signal issues a 200nS negative pulse to transmit a logic "1". The RXIN signal receives the data. A negative pulse on this input indicates a logic "1". Lack of pulse indicates a logic "0". The transmitter portion of the COM20010 is disabled during reset and the  $\overline{\text{PULSE1}}$ ,  $\overline{\text{PULSE2}}$  and  $\overline{\text{TXEN}}$  pins are inactive high.



**FIGURE 5 - COM20010 INTERNAL BLOCK DIAGRAM**



**FIGURE 6 - SEQUENTIAL ACCESS TO 1K X 8 INTERNAL RAM**

**Table 1 - Typical ARCNET Media**

<b>CABLE TYPE</b>	<b>NOMINAL IMPEDANCE</b>	<b>ATTENUATION PER 1000 FT. AT 5MHZ</b>
RG-62 Belden #86262	93Ω	5.5dB
RG-59/U Belden #89108	75Ω	7.0dB
RG-11/U Belden #89108	75Ω	5.5dB
IBM Type 1* Belden #89688	150Ω	7.0dB
IBM Type 3* Telephone Twisted Pair Belden #1155A	100Ω	17.9dB
COMCODE 26 AWG Twisted Pair Part #105-064-703	105Ω	16.0dB

\*Non-plenum-rated cables of this type are also available.

**Note:** For more detailed information on Cabling options including RS-485, transformer-coupled RS-485 and Fiber Optic interfaces, please refer to TN7-5 - Cabling Guidelines for the COM20020 ULANC, available from Standard Microsystems Corporation.

## FUNCTIONAL DESCRIPTION

### MICROSEQUENCER

The COM20010 contains an internal microsequencer which performs all of the control operations necessary to carry out the ARCNET protocol. It consists of a clock generator, a 544 x 8 ROM, a program counter, two instruction registers, an instruction decoder, a no-op generator, jump logic, and reconfiguration logic.

The COM20010 derives a 5MHz and a 2.5MHz clock from the external crystal. These clocks provide the rate at which the instructions are executed within the COM20010. The 5MHz clock is the rate at which the program counter operates, while the 2.5MHz clock is the rate at which the instructions are executed. The microprogram is stored in the ROM and the

instructions are fetched and then placed into the instruction registers. One register holds the op code, while the other holds the immediate data. Once the instruction is fetched, it is decoded by the internal instruction decoder, at which point the COM20010 proceeds to execute the instruction. When a no-op instruction is encountered, the microsequencer enters a timed loop and the program counter is temporarily stopped until the loop is complete. When a jump instruction is encountered, the program counter is loaded with the jump address from the ROM. The COM20010 contains an internal reconfiguration timer which interrupts the microsequencer if it has timed out. At this point the program counter is cleared and the MYRECON bit of the Diagnostic Status Register is set.



## **INTERNAL REGISTERS**

The COM20010 contains eight internal registers. Tables 2 and 3 illustrate the COM20010 register map. Reserved locations should not be accessed. All undefined bits are read as undefined and must be written as logic "0".

### **Interrupt Mask Register (IMR)**

The COM20010 is capable of generating an interrupt signal when certain status bits become true. A write to the IMR specifies which status bits will be enabled to generate an interrupt. The bit positions in the IMR are in the same position as their corresponding status bits in the Status Register and Diagnostic Status Register. A logic "1" in a particular position enables the corresponding interrupt. The Status bits capable of generating an interrupt include the Receiver Inhibited bit, Excessive NAK bit, Reconfiguration Timer bit, and Transmitter Available bit. No other Status or Diagnostic Status bits can generate an interrupt.

The four maskable status bits are ANDed with their respective mask bits, and the results are ORed to produce the interrupt signal. A RI or TA interrupt is masked when the corresponding mask bit is reset to logic "0", but will reappear when the corresponding mask bit is set to logic "1" again, unless the interrupt status condition has been cleared by this time. A RECON interrupt is cleared when the "Clear Flags" command is issued. An EXCNAK interrupt is cleared when the "POR Clear Flags" command is issued. The Interrupt Mask Register defaults to the value 0000 0000 upon either hardware or software reset.

### **Data Register**

This read/write 8-bit register is used as the channel through which the data to and from the RAM passes. The data is placed in or retrieved from the address location presently specified by

the address pointer. The contents of the Data Register are undefined upon hardware reset.

### **Tentative ID Register**

The Tentative ID Register is a read/write 8-bit register accessed when the Sub Address Bits are set up accordingly (please refer to the Configuration Register). The Tentative ID Register can be used while the node is on-line to build a network map of those nodes existing on the network. It minimizes the need for operator interaction with the network. The node determines the existence of other nodes by placing a Node ID value in the Tentative ID Register and waiting to see if the Tentative ID bit of the Diagnostic Status Register gets set. The network map developed by this method is only valid for a short period of time, since nodes may join or depart from the network at any time. The Tentative ID Register defaults to the value 0000 0000 upon hardware reset only.

### **Node ID Register**

The Node ID Register is a read/write 8-bit register accessed when the Sub Address Bits are set up accordingly (please refer to the Configuration Register). The Node ID Register contains the unique value which identifies this particular node. Each node on the network must occupy a unique Node ID value at all times. The Duplicate ID bit of the Diagnostic Status Register helps the user find a unique Node ID. Refer to the Initialization Sequence section for further detail on the use of the DUPID bit. The core of the COM20010 does not wake up until a Node ID other than zero is written into the Node ID Register. During this time, no microcode is executed, no tokens are passed by this node, and no reconfigurations are caused by this node. Once a non-zero Node ID is placed into the Node ID Register, the core wakes up but will not join the network until the TXEN bit of the Configuration Register is set. While the Transmitter is disabled, the Receiver portion of the device is still functional and will

**Table 2 - Read Register Summary**

REGISTER	READ								ADDRESS
	MSB							LSB	
<b>STATUS</b>	RI	X	X	POR	TEST	RECON	TMA	TA	<b>00</b>
<b>DIAG. STATUS</b>	MYRECON	DUPID	RCVACT	TOKEN	EXCNAK	TENTID	X	X	<b>01</b>
<b>ADDRESS PTR HIGH</b>	RDDATA	AUTO-INC	X	X	X	X	A9	A8	<b>02</b>
<b>ADDRESS PTR LOW</b>	A7	A6	A5	A4	A3	A2	A1	A0	<b>03</b>
<b>DATA</b>	D7	D6	D5	D4	D3	D2	D1	D0	<b>04</b>
<b>RESERVED</b>	X	X	X	X	X	X	X	X	<b>05</b>
<b>CONFIGURATION</b>	RESET	CCHEN	TXEN	ET1	ET2	BACK-PLANE	SUB-AD1	SUB-AD0	<b>06</b>
<b>TENTID/ NODEID/ SETUP</b>	TID7/ NID7/ X	TID6/ NID6/ X	TID5/ NID5/ X	TID4/ NID4/ X	TID3/ NID3/ X	TID2/ NID2/ CKP2	TID1/ NID1/ CKP1	TID0/ NID0/ ARBSL	<b>07</b>

**Table 3 - Write Register Summary**

ADDRESS	WRITE								REGISTER
	MSB							LSB	
00	RI	0	0	0	EXCNAK	RECON	0	TA	INTERRUPT MASK
01	D7	D6	D5	D4	D3	D2	D1	D0	COMMAND
02	RDDATA	AUTO-INC	0	0	0	0	A9	A8	ADDRESS PTR HIGH
03	A7	A6	A5	A4	A3	A2	A1	A0	ADDRESS PTR LOW
04	D7	D6	D5	D4	D3	D2	D1	D0	DATA
05	0	0	0	0	0	0	0	0	RESERVED
06	RESET	CCHEN	TXEN	ET1	ET2	BACK-PLANE	SUB-AD1	SUB-AD0	CONFIGURATION
07	TID7/ NID7/ 0	TID6/ NID6/ 0	TID5/ NID5/ 0	TID4/ NID4/ 0	TID3/ NID3/ 0	TID2/ NID2/ CKP2	TID1/ NID1/ CKP1	TID0/ NID0/ ARBSL	TENTID/ NODEID/ SETUP

provide the user with useful information about the network. The Node ID Register defaults to the value 0000 0000 upon hardware reset only.

### **Status Register**

The COM20010 Status Register is an 8-bit read-only register. All of the bits, except for bits 5 and 6, are software compatible with previous SMC ARCNET devices. In previous SMC ARCNET devices the Extended Timeout status was provided in bits 5 and 6 of the Status Register. In the COM20010, the COM90C66, and the COM90C165, these bits exist in and are controlled by the Configuration Register. The Status Register contents are defined as in Table 4, but are defined differently during the Command Chaining operation. Please refer to the Command Chaining section for the definition of the Status Register during Command Chaining operation. The Status Register defaults to the value 1XX1 0001 upon either hardware or software reset.

### **Diagnostic Status Register**

The Diagnostic Status Register contains six read-only bits which help the user troubleshoot the network or node operation. Various combinations of these bits and the TXEN bit of the Configuration Register represent different situations. All of these bits, except the Excessive NACK bit, are reset to logic "0" upon reading the Diagnostic Status Register or upon software or hardware reset. The EXCNAK bit is reset by the "POR Clear Flags" command, upon a high level on the TA bit of the Status Register, or upon software or hardware reset. The Diagnostic Status Register defaults to the value 0000 00XX upon either hardware or software reset.

### **Command Register**

Execution of commands are initiated by performing microcontroller writes to this register. Any combinations of written data other than those listed in Table 6 are not permitted and may result in incorrect chip and/or network operation.

### **Address Pointer Registers**

These read/write registers are each 8-bits wide and are used for addressing the internal RAM. New pointer addresses should be written by first writing to the High Register and then writing to the Low Register because writing to the Low Register loads the address. The contents of the Address Pointer High and Low Registers are undefined upon hardware reset.

### **Configuration Register**

The Configuration Register is a read/write register which is used to configure the different modes of the COM20010. The Configuration Register defaults to the value 0001 1000 upon hardware reset only.

### **Setup Register**

The Setup Register is a read/write 8-bit register accessed when the Sub Address Bits are set up accordingly (see the bit definitions of the Configuration Register). The Setup Register allows the user to change the network speed (data rate) or the arbitration speed independently. The data rate may be slowed to 312.5Kbps and/or the arbitration speed may be slowed by a factor of two. The Setup Register defaults to the value 0000 0000 upon hardware reset only.

**Table 4 - Status Register**

<b>BIT</b>	<b>BIT NAME</b>	<b>SYMBOL</b>	<b>DESCRIPTION</b>
7	Receiver Inhibited	RI	This bit, if high, indicates that the receiver is not enabled because either an "Enable Receive to Page fOn" command was never issued, or a packet has been deposited into the RAM buffer page fOn as specified by the last "Enable Receive to Page fOn" command. No messages will be received until this command is issued, and once the message has been received, the RI bit is set, thereby inhibiting the receiver. The RI bit is cleared by issuing an "Enable Receive to Page fOn" command. This bit, when set, will cause an interrupt if the corresponding bit of the Interrupt Mask Register (IMR) is also set.
6,5	(Reserved)		These bits are undefined.
4	Power On Reset	POR	This bit, if high, indicates that the COM20010 has been reset by either a software reset, a hardware reset, or writing 00H to the Node ID Register. The POR bit is cleared by the "Clear Flags" command.
3	Test	TEST	This bit is intended for test and diagnostic purposes. It is a logic "0" under normal operating conditions.
2	Reconfiguration	RECON	This bit, if high, indicates that the Line Idle Timer has timed out because the RXIN pin was idle for 82 $\mu$ S. The RECON bit is cleared during a "Clear Flags" command. This bit, when set, will cause an interrupt if the corresponding bit in the IMR is also set. The interrupt service routine should consist of examining the MYRECON bit of the Diagnostic Status Register to determine whether there are consecutive reconfigurations caused by this node.
1	Transmitter Message Acknowledged	TMA	This bit, if high, indicates that the packet transmitted as a result of an "Enable Transmit from Page fOn" command has been acknowledged. This bit should only be considered valid after the TA bit (bit 0) is set. Broadcast messages are never acknowledged. The TMA bit is cleared by issuing the "Enable Transmit from Page fOn" command.
0	Transmitter Available	TA	This bit, if high, indicates that the transmitter is available for transmitting. This bit is set at the conclusion of an "Enable Transmit from Page fOn" command or upon execution of a "Disable Transmitter" command. The TA bit is cleared by issuing the "Enable Transmit from Page fOn" command after the node next receives the token. This bit, when set, will cause an interrupt if the corresponding bit in the IMR is also set.

**Table 5 - Diagnostic Status Register**

<b>BIT</b>	<b>BIT NAME</b>	<b>SYMBOL</b>	<b>DESCRIPTION</b>
7	My Reconfiguration	MY-RECON	This bit, if high, indicates that a past reconfiguration was caused by this node. It is set when the Lost Token Timer times out, and is typically read following an interrupt caused by RECON. Refer to the Improved Diagnostics section for further detail.
6	Duplicate ID	DUPID	This bit, if high, indicates that the value in the Duplicate ID Register matches both Destination ID characters of the token and a response to this token has occurred. The EOT character and the trailing zero's are also verified. A logic "1" on this bit indicates a duplicate Node ID, thus the user should write a new value into the Node ID Register. This bit is only useful for duplicate ID detection when the device is off line, that is, when the transmitter is off. When the device is on line it will be set every time the device gets the token. This bit is reset automatically upon reading the Diagnostic Status Register. Refer to the Improved Diagnostics section for further detail.
5	Receive Activity	RCVACT	This bit, if high, indicates that data activity (logic "1") was detected on the RXIN pin of the device. Refer to the Improved Diagnostics section for further detail.
4	Token Seen	TOKEN	This bit, if high, indicates that a token has been seen on the network, sent by a node other than this one. Refer to the Improved Diagnostic section for further detail.
3	Excessive NAK	EXCNAK	This bit, if high, indicates that 128 Negative Acknowledgements have occurred in response to the Free Buffer Enquiry. This bit is cleared upon the "POR Clear Flags" command or upon a high level on the TA bit of the Status Register. Reading the Diagnostic Status Register does not clear this bit. This bit, when set, will cause an interrupt if the corresponding bit in the IMR is also set. Refer to the Improved Diagnostics section for further detail.
2	Tentative ID	TENTID	This bit, if high, indicates that a response to a token whose DID matches the value in the Tentative ID Register has occurred. In addition, the EOT character is checked. The second DID and the trailing zero's are not checked. Since each node sees every token passed around the network, this feature can be used with the device on-line in order to build and update a network map. Refer to the Improved Diagnostics section for further detail.
1,0	(Reserved)		These bits are undefined.

**Table 6 - Command Register**

<b>DATA</b>	<b>COMMAND</b>	<b>DESCRIPTION</b>
0000 0000	Clear Transmit Interrupt	This command is used only in the Command Chaining operation. Please refer to the Command Chaining section for definition of this command.
0000 0001	Disable Transmitter	This command will cancel any pending transmit command (transmission that has not yet started) and will set the TA (Transmitter Available) status bit to logic "1" when the COM20010 next receives the token.
0000 0010	Disable Receiver	This command will cancel any pending receive command. If the COM20010 is not yet receiving a packet, the RI (Receiver Inhibited) bit will be set to logic "1" the next time the token is received. If packet reception is already underway, reception will run to its normal conclusion.
b0f0 n100	Enable Receive to Page f0n	This command allows the COM20010 to receive data packets into RAM buffer page f0n and resets the RI status bit to logic "0". The value placed in the "n" bit indicates the page that the data will be received into (page 0 or 1). If the value of "f" is a logic "1", an offset of 256 bytes will be added to that page specified in "n", allowing a finer resolution of the buffer. Refer to the Selecting RAM Page Size section for further detail. If the value of "b" is logic "1", the device will also receive broadcasts (transmissions to ID zero). The RI status bit is set to logic "1" upon successful reception of a message.
00f0 n011	Enable Transmit from Page f0n	This command prepares the COM20010 to begin a transmit sequence from RAM buffer page f0n the next time it receives the token. The value of the "n" bit indicates which page to transmit from (0 or 1). If "f" is logic "1", an offset of 256 bytes is added to that page specified in "n", allowing a finer resolution of the buffer. Refer to the Selecting RAM Page Size section for further detail. When this command is loaded, the TA and TMA bits are reset to logic "0". The TA bit is set to logic "1" upon completion of the transmit sequence. The TMA bit will have been set by this time if the device has received an ACK from the destination node. The ACK is strictly hardware level, sent by the receiving node before its microcontroller is even aware of message reception. Refer to Figure 1 for details of the transmit sequence and its relation to the TA and TMA status bits.

**Table 6 - Command Register**

DATA	COMMAND	DESCRIPTION
0000 c101	Define Configuration	This command defines the maximum length of packets that may be handled by the device. If "c" is a logic "1", the device handles both long and short packets. If "c" is a logic "0", the device handles only short packets.
000r p110	Clear Flags	This command resets certain status bits of the COM20010. A logic "1" on "p" resets the POR status bit and the EXCNAK Diagnostic status bit. A logic "1" on "r" resets the RECON status bit.
0000 1000	Clear Receive Interrupt	This command is used only in the Command Chaining operation. Please refer to the Command Chaining section for definition of this command.

**Table 7 - Address Pointer High Register**

BIT	BIT NAME	SYMBOL	DESCRIPTION
7	Read Data	RDDATA	This bit tells the COM20010 whether the following access will be a read or write. A logic "1" prepares the device for a read, a logic "0" prepares it for a write.
6	Auto Increment	AUTOINC	This bit controls whether the address pointer will increment automatically. A logic "1" on this bit allows automatic increment of the pointer after each access, while a logic "0" disables this function. Please refer to the Sequential Access Memory section for further detail.
5-3	(reserved)		These bits must be written as zeros.
2-0	Address 9-8	A9-A8	These bits hold the upper two address bits which provide addresses to RAM.

**Table 8 - Address Pointer Low Register**

BIT	BIT NAME	SYMBOL	DESCRIPTION
7-0	Address 7-0	A7-A0	These bits hold the lower 8 address bits which provide the addresses to RAM.



**Table 9 - Configuration Register**

BIT	BIT NAME	SYMBOL	DESCRIPTION																														
7	Reset	RESET	A software reset of the COM20010 is executed by writing a logic "1" to this bit. A software reset does not reset the microcontroller interface mode, nor does it affect the Configuration Register. The only registers that the software reset affect are the Status Register, the Interrupt Mask Register, and the Diagnostic Status Register. This bit must be brought back to logic "0" to release the reset.																														
6	Command Chaining Enable	CCHEN	This bit, if high, enables the Command Chaining operation of the device. Please refer to the Command Chaining section for further details. A low level on this bit ensures software compatibility with previous SMC ARCNET devices.																														
5	Transmit Enable	TXEN	When low, this bit disables transmissions by keeping <u>PULSE1</u> , <u>PULSE2</u> if in non-Backplane Mode, and <u>TXENABLE</u> inactive. When high, it enables the above signals to be activated during transmissions. This bit defaults low upon reset. This bit is typically enabled once the Node ID is determined, and never disabled during normal operation. Please refer to the Improved Diagnostics section for details on evaluating network activity.																														
4,3	Extended Timeout 1,2	ET1, ET2	<p>These bits allow the network to operate over longer distances than the default 4 miles by controlling the Response, Idle, and Reconfiguration Times. All nodes should be configured with the same timeout values for proper network operation. The bit combinations follow:</p> <table border="1" data-bbox="713 1297 1497 1591"> <thead> <tr> <th colspan="2"></th> <th>Response Time</th> <th>Idle Time</th> <th>Reconfig Time</th> </tr> <tr> <th><u>ET2</u></th> <th><u>ET1</u></th> <th><u>(<math>\mu</math>S)</u></th> <th><u>(<math>\mu</math>S)</u></th> <th><u>(mS)</u></th> </tr> </thead> <tbody> <tr> <td>0</td> <td>0</td> <td>1193.6</td> <td>1312</td> <td>1680</td> </tr> <tr> <td>0</td> <td>1</td> <td>596.8</td> <td>656</td> <td>1680</td> </tr> <tr> <td>1</td> <td>0</td> <td>298.4</td> <td>328</td> <td>1680</td> </tr> <tr> <td>1</td> <td>1</td> <td>74.7</td> <td>82</td> <td>840</td> </tr> </tbody> </table>			Response Time	Idle Time	Reconfig Time	<u>ET2</u>	<u>ET1</u>	<u>(<math>\mu</math>S)</u>	<u>(<math>\mu</math>S)</u>	<u>(mS)</u>	0	0	1193.6	1312	1680	0	1	596.8	656	1680	1	0	298.4	328	1680	1	1	74.7	82	840
		Response Time	Idle Time	Reconfig Time																													
<u>ET2</u>	<u>ET1</u>	<u>(<math>\mu</math>S)</u>	<u>(<math>\mu</math>S)</u>	<u>(mS)</u>																													
0	0	1193.6	1312	1680																													
0	1	596.8	656	1680																													
1	0	298.4	328	1680																													
1	1	74.7	82	840																													
2	Backplane	BACK-PLANE	A logic "1" on this bit puts the device into Backplane Mode signalling which is used for Open Drain and Differential Driver interfaces.																														

**Table 9 - Configuration Register**

BIT	BIT NAME	SYMBOL	DESCRIPTION												
1,0	Sub Address 1,0	SUBAD 1,0	<p>These bits determine which register at address 07 may be accessed. The combinations are as follows:</p> <p><u>SUBAD1</u>   <u>SUBAD0</u>   <u>Register</u></p> <table> <tr> <td>0</td> <td>0</td> <td>Tentative ID</td> </tr> <tr> <td>0</td> <td>1</td> <td>Node ID</td> </tr> <tr> <td>1</td> <td>0</td> <td>Setup</td> </tr> <tr> <td>1</td> <td>1</td> <td>Undefined</td> </tr> </table>	0	0	Tentative ID	0	1	Node ID	1	0	Setup	1	1	Undefined
0	0	Tentative ID													
0	1	Node ID													
1	0	Setup													
1	1	Undefined													

**Table 10 - Setup Register**

BIT	BIT NAME	SYMBOL	DESCRIPTION															
7-3	(reserved)		These bits are undefined.															
2,1	Clock Prescaler 2,1	CLK-PRESC 2,1	<p>These bits determine the network speed. Note that slowing the network speed does not slow the synchronous arbiter. The combinations are as follows when a 20MHz crystal is used:</p> <table> <thead> <tr> <th><u>CLKPRESC2</u></th> <th><u>CLKPRESC1</u></th> <th><u>Network Speed</u></th> </tr> </thead> <tbody> <tr> <td>0</td> <td>0</td> <td>2.5Mbps</td> </tr> <tr> <td>0</td> <td>1</td> <td>1.25Mbps</td> </tr> <tr> <td>1</td> <td>0</td> <td>625Kbps</td> </tr> <tr> <td>1</td> <td>1</td> <td>312.5Kbps</td> </tr> </tbody> </table>	<u>CLKPRESC2</u>	<u>CLKPRESC1</u>	<u>Network Speed</u>	0	0	2.5Mbps	0	1	1.25Mbps	1	0	625Kbps	1	1	312.5Kbps
<u>CLKPRESC2</u>	<u>CLKPRESC1</u>	<u>Network Speed</u>																
0	0	2.5Mbps																
0	1	1.25Mbps																
1	0	625Kbps																
1	1	312.5Kbps																
0	Arbitration Slow	SLOW- ARB	This bit, if high, divides the arbitration clock by 2, thus slowing arbitration by a factor of 2. Slowing the arbiter lengthens the cycle time to memory, but the access time remains the same. This bit defaults to a logic "0".															

**INTERNAL RAM**

The integration of the 1K x 8 RAM in the COM20010 represents significant real estate savings. The most obvious benefit is the 24-pin package in which the device is now placed (a direct result of the integration of RAM). In addition, the PC board is now free of the cumbersome external RAM, external latch, and multiplexed address/data bus and control

functions which were necessary to interface to the RAM.

The integration of RAM represents significant cost savings because it isolates the system designer from the changing costs of external RAM and it minimizes reliability problems, assembly time and costs, and layout complexity.

## **Sequential Access Memory**

The internal RAM is accessed via a pointer-based scheme. Rather than interfering with system memory, the internal RAM is indirectly accessed through the Address High and Low Pointer Registers. The data is channeled to and from the microcontroller via the 8-bit data register. For example: a packet in the internal RAM buffer is read by the microcontroller by writing the corresponding address into the Address Pointer High and Low Registers (offsets 02H and 03H). Note that the High Register should be written first, followed by the Low Register, because writing to the Low Register loads the address. At this point the device accesses that location and places the corresponding data into the data register. The microcontroller then reads the data register (offset 04H) to obtain the data at the specified location. If the Auto Increment bit is set to logic "1", the device will automatically increment the address and place the next byte of data into the data register, again to be read by the microcontroller. This process is continued until the entire packet is read out of RAM. Refer to Figure 6 for an illustration of the Sequential Access operation.

When switching between reads and writes, the pointer must first be written with the starting address. The pointer may be read at any time to allow the microcontroller to save the present pointer value before going into a subroutine. At least one cycle time should separate the pointer being loaded and the first read (see timing parameters).

## **Access Speed**

The COM20010 is able to accommodate very fast access cycles to its registers and buffers. Arbitration to the buffer does not slow down the cycle because the pointer based access method allows data to be prefetched from memory and stored in a temporary register.

Likewise, data to be written is stored in the temporary register and then written to memory.

For systems which do not require quick access time, the arbitration clock may be slowed down by setting bit 0 of the Setup Register equal to logic "1". Since the Slow Arbitration feature divides the input clock by two, the duty cycle of the input clock may be relaxed.

## **SOFTWARE INTERFACE**

The microcontroller interfaces to the COM20010 via software by accessing the various registers. These actions are described in the Internal Registers section. The software flow for accessing the data buffer is based on the Sequential Access scheme. The basic sequence is as follows:

- Disable Interrupts
- Write to Pointer Register High (specifying Auto-Increment mode.)
- Write to Pointer Register Low (this loads the address.)
- Enable Interrupts
- Read or write the Data Register (repeat as many times as necessary to empty or fill the buffer.)
- The pointer may now be read to determine how many transfers were completed.

The software flow for controlling the Configuration, Node ID and Tentative ID registers is generally limited to the initialization sequence and the maintenance of the network map.

Additionally, it is necessary to understand the details of how the other Internal Registers are used in the transmit and receive sequences and to know how the internal RAM buffer is properly set up. The sequence of events that tie these actions together is discussed as follows.

## Selecting RAM Page Size

During normal operation, the 1K x 8 of RAM is divided into four pages of 256 bytes each. The page to be used is specified in the "Enable Transmit (Receive) from (to) Page fOn" command, where "n" specifies page 0 or 1 and "f" specifies the offset (0 or 1). This allows the user to have constant control over the allocation of RAM.

When the Offset bit "f" (bit 5 of the "Enable Transmit (Receive) from (to) Page fOn" command word) is set to logic "1", an offset of 256 bytes is added to the page specified. For example: to transmit from the second half of page 0, the command "Enable Transmit from Page fOn" (fOn=100 in this case) is issued by writing 0010 0011 to the Command Register. This allows a finer resolution of the buffer pages without affecting software compatibility. This scheme is implemented when four 256 byte pages are desired (as in Command Chaining). The remaining portions of the buffer pages which are not allocated for current transmit or receive packets may be used as temporary storage for previous network data, packets to be sent later, or as extra memory for the system, which may be indirectly accessed.

Although the use of four 256 byte pages is typical (because it minimizes negative acknowledgements sent in response to free Buffer Enquiries), configuration for two 512 byte pages is still an option. If packet sizes larger than 256 bytes is desired, the device should be configured to handle both long and short packets (see "Define Configuration" command). In this case, the receive page should always be 512 bytes long because the user never knows what the length of the receive packet will be. In this case, the transmit page may be made 256 bytes long, leaving at least 256 bytes free at any given time. Please note that it is the responsibility of

software to reserve 512 bytes for the receive page if the device is configured to handle long packets. The COM20010 does not check page boundaries during reception.

If the device is configured to handle only short packets, then both transmit and receive pages may be allocated as 256 bytes long, freeing at least 512 bytes at any given time.

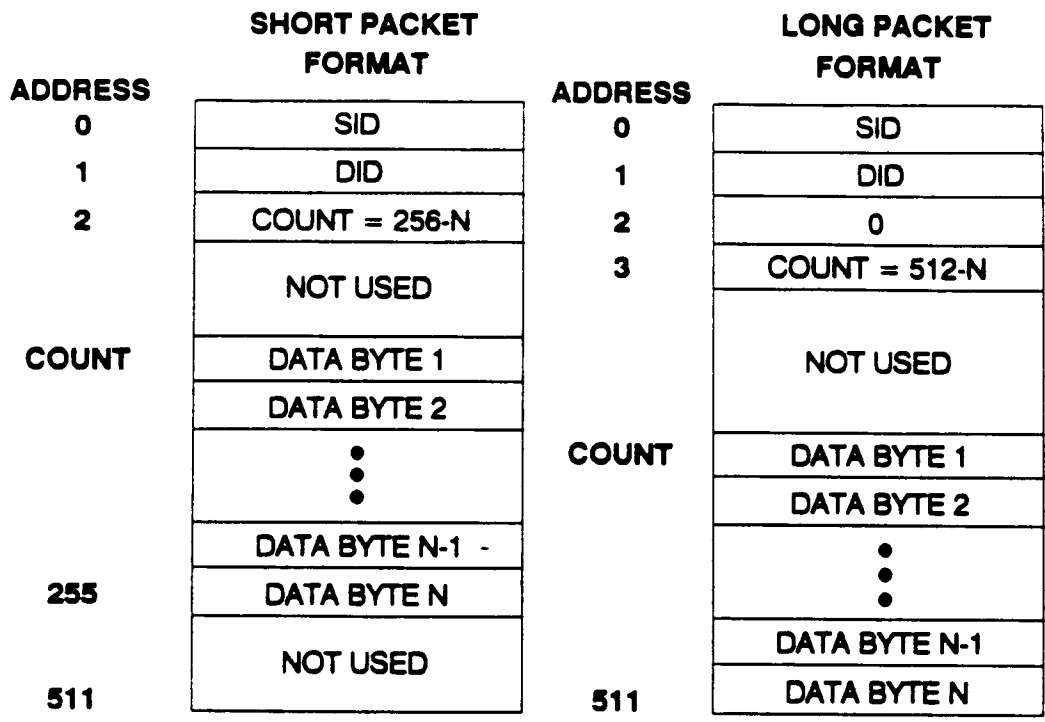
If use of the Command Chaining feature is desired, the all COM20010 nodes must be configured to handle only short packets.

The general rule which may be applied to determine where in RAM a page begins is as follows:

$$\text{Address} = (n \times 512) + (f \times 256).$$

## Transmit Sequence

During a transmit sequence, the microcontroller selects a 256 or 512 byte segment of the RAM buffer and writes into it. The appropriate buffer size is specified in the "Define Configuration" command. When long packets are enabled, the COM20010 interprets the packet as either a long or short packet, depending on whether the buffer address 2 contains a zero or non-zero value. The format of the buffer is shown in Figure 7. Address 0 contains the Source Identifier (SID); Address 1 contains the Destination Identifier (DID); Address 2 (COUNT) contains, for short packets, the value 256-N, where N represents the message length, or for long packets, the value 0, indicating that it is indeed a long packet. In the latter case, Address 3 (COUNT) would contain the value 512-N, where N represents the message length. The SID in Address 0 is used by the receiving node to reply to the transmitting node. The COM20010 puts the local ID in this location, therefore it is not necessary to write into this location.



N = DATA PACKET LENGTH  
 SID = SOURCE ID  
 DID = DESTINATION ID  
 (DID = 0 FOR BROADCASTS)

**FIGURE 7 - RAM BUFFER PACKET CONFIGURATION**

Please note that a short packet may contain between 1 and 253 data bytes, while a long packet may contain between 257 and 508 data bytes. A minimum value of 257 exists on a long packet so that the COUNT is expressible in eight bits. This leaves three exception packet lengths which do not fit into either a short or long packet; packet lengths of 254, 255, or 256 bytes. If packets of these lengths must be sent, the user must add dummy bytes to the packet (00's) in order to make the packet fit into a long packet.

Once the buffer is written into, the microcontroller awaits a logic "1" on the TA bit, indicating that a previous transmit command has concluded and another may be issued. Each time the message is loaded and a transmit command issued, it will take a variable amount of time before the message is transmitted, depending on the traffic on the network and the location of the token at the time the transmit command was issued. Typically, the conclusion of the transmit command, which is flagged when TA becomes a logic "1", generates an interrupt. If the device is configured for the Command Chaining operation, please see the Command Chaining section for further detail on the transmit sequence. Once the TA bit becomes a logic "1", the microcontroller issues the "Enable Transmit from Page f0n" command, which resets the TA and TMA bits to logic "0". If the message is not a BROADCAST, the COM20010 automatically issues a FREE BUFFER ENQUIRY to the destination node in order to send the message. At this point, one of four possibilities may occur.

The first possibility is if a free buffer is available at the destination node, in which case it responds with an ACKnowledgement. At this point, the COM20010 fetches the data from the Transmit Buffer and performs the transmit sequence. If a successful transmit sequence is completed, the TMA bit and the TA bit are set to logic "1". If the packet was not transmitted successfully, TMA will not be set. A successful

transmission occurs when the receiving node responds to the packet with an ACK. An unsuccessful transmission occurs when the receiving node does not respond to the packet.

The second possibility is if the destination node responds to the Free Buffer Enquiry with a Negative Acknowledgement. A NAK occurs when the RI bit of the destination node is a logic "1". In this case, the token is passed on from the transmitting node to the next node. The next time the transmitter receives the token, it will again transmit a FREE BUFFER ENQUIRY. If a NAK is again received, the token is again passed onto the next node. The Excessive NAK bit of the Diagnostic Status Register is used to prevent an endless loop of FBE's and NAK's. If no timeout existed, the transmitting node would continue issuing a Free Buffer Enquiry, even though it would continuously receive a NAK as a response. The EXCNAK bit generates an interrupt (if enabled) in order to tell the microcontroller to disable the transmitter via the "Disable Transmitter" command. This causes the transmission to be abandoned and the TA bit to be set to a logic "1" when the node next receives the token, while the TMA bit remains at a logic "0". Please refer to the Improved Diagnostics section for further detail on the EXCNAK bit.

The third possibility which may occur after a FREE BUFFER ENQUIRY is issued is if the destination node does not respond at all. In this case, the TA bit is set to a logic "1", while the TMA bit remains at a logic "0". The user should determine whether the node should try to reissue the transmit command.

The fourth possibility is if a non-traditional response is received (some pattern other than ACK or NAK, such as noise). In this case, the token is not passed onto the next node, which causes the Lost Token Timer of the next node to time out, thus generating a network reconfiguration.

The "Disable Transmitter" command may be used to cancel any pending transmit command when the COM20010 next receives the token. Normally, in an active network, this command will set the TA status bit to a logic "1" when the token is received. If the "Disable Transmitter" command does not cause the TA bit to be set in the time it takes the token to make a round trip through the network, one of three situations exists. Either the node is disconnected from the network, or there are no other nodes on the network, or the external receive circuitry has failed. These situations can be determined by either using the improved diagnostic features of the COM20010 or using another software timeout which is greater than the worst case time for a round trip token pass, which occurs when all nodes transmit a maximum length message.

### **Receive Sequence**

A receive sequence begins with the RI status bit becoming a logic "1", which indicates that a previous reception has concluded. The microcontroller will be interrupted if the corresponding bit in the Interrupt Mask Register is set to logic "1". Otherwise, the microcontroller must periodically check the Status Register. Once the microcontroller is alerted to the fact that the previous reception has concluded, it may issue the "Enable Receive to Page f0n" command, which resets the RI bit to logic "0" and selects a new page in the RAM buffer. Again, the appropriate buffer size is specified in the "Define Configuration" command. Typically, the page which just received the data packet will be read by the microcontroller at this point.

Once the "Enable Receive to Page f0n" command is issued, the microcontroller attends to other duties. There is no way of knowing how long the new reception will take, since another node may transmit a packet at any time. When another node does transmit a

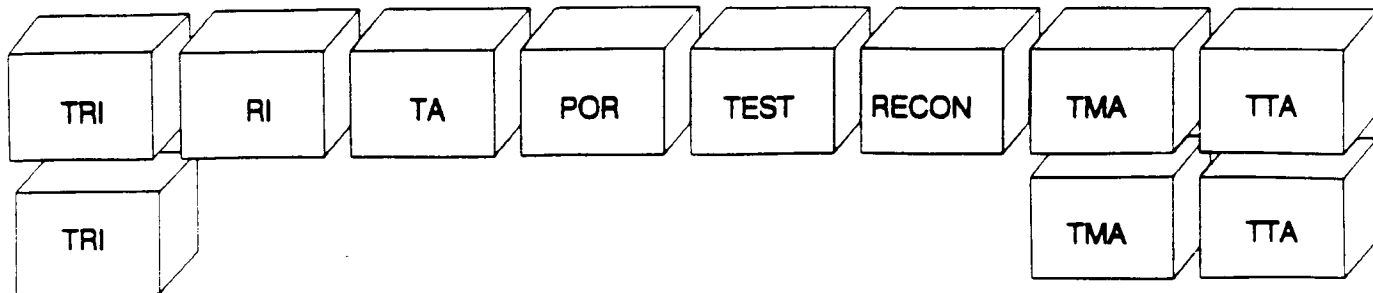
packet to this node, and if the "Define Configuration" command has enabled the reception of long packets, the COM20010 interprets the packet as either a long or short packet, depending on whether the content of the buffer location 2 is zero or non-zero. The format of the buffer is shown in Figure 7. Address 0 contains the Source Identifier (SID), Address 1 contains the Destination Identifier (DID), and Address 2 contains, for short packets, the value 256-N, where N represents the message length, or for long packets, the value 0, indicating that it is indeed a long packet. In the latter case, Address 3 contains the value 512-N, where N represents the message length. Note that on reception, the COM20010 deposits packets into the RAM buffer in the same format that the transmitting node arranges them, which allows for a message to be received and then retransmitted without rearranging any bytes in the RAM buffer other than the SID and DID. Once the packet is received and stored correctly in the selected buffer, the COM20010 sets the RI bit to logic "1" to signal the microcontroller that the reception is complete.

### **COMMAND CHAINING**

The Command Chaining operation allows consecutive transmissions and receptions to occur without host intervention. Through the use of a dual two-level FIFO, commands to be transmitted and received, as well as the status bits, are pipelined.

In order for the COM20010 to be compatible with previous SMC ARCNET devices, the device defaults to the non-chaining mode. In order to take advantage of the Command Chaining operation, the Command Chaining Mode must be enabled via a logic "1" on bit 6 of the Configuration Register.

In Command Chaining, the Status Register appears as in Figure 8.



**FIGURE 8 - COMMAND CHAINING STATUS REGISTER**

The following is a list of Command Chaining guidelines for the software programmer to follow. Further detail can be found in the Transmit Command Chaining and Receive Command Chaining sections.

- The device is designed such that the interrupt service routine latency does not affect performance.
- Up to two outstanding 256-byte transmissions and two outstanding 256-byte receptions can be pending at any given time. The commands may be given in any order.
- Up to two outstanding transmit interrupts and two outstanding receive interrupts are stored by the device, along with their respective status bits.
- The Interrupt Mask bits act on TTA (Rising Transition on Transmitter Available) for transmit operations and TRI (Rising Transition of Receiver Inhibited) for receive operations. TTA is set upon completion of a packet transmission only. TRI is set upon completion of a packet reception only. Typically there is no need to mask the TTA and TRI bits after clearing the interrupt.
- The traditional TA and RI bits are still available to reflect the present status of the device.

Please note that normal operation of Command Chaining (two pipelined transmit buffers and

two pipelined receive buffers) requires that the maximum packet length be 256 bytes. The user should, therefore, enable the device to handle only short packets via the "Define Configuration" command (see Command Register).

#### **Transmit Command Chaining**

When the processor issues the first "Enable Transmit to Page fOn" command, the COM20010 responds in the usual manner by resetting the TA and TMA bits to prepare for the transmission from the specified page. The TA bit can be used to see if there is currently a transmission pending, but the TA bit is really meant to be used in the non-chaining mode only. The TTA bits provide the relevant information for the device in the Command Chaining mode.

In the Command Chaining Mode, at any time after the first command is issued, the processor can issue a second "Enable Transmit from Page fOn" command. The COM20010 stores the fact that the second transmit command was issued, along with the page number.

After the first transmission is completed, the COM20010 updates the Status Register by setting the TTA bit, which generates an interrupt. The interrupt service routine should read the Status Register. At this point, the TTA bit will be found to be a logic "1" and the TMA (Transmit Message Acknowledge) bit will tell the processor whether the transmission was



successful. After reading the Status Register, the "Clear Transmit Interrupt" command is issued, thus resetting the TTA bit and clearing the interrupt. Note that only the "Clear Transmit Interrupt" command will clear the TTA bit and the interrupt. It is not necessary, however, to clear the bit or the interrupt right away because the status of the transmit operation is double buffered in order to retain the results of the first transmission for analysis by the processor. This information will remain in the Status Register until the "Clear Transmit Interrupt" command is issued. Note that the interrupt will remain active until the command is issued, and the second interrupt will not occur until the first interrupt is acknowledged. The COM20010 guarantees a minimum of 200nS interrupt inactive time interval between interrupts. The TMA bit is also double buffered to reflect whether the appropriate transmission was a success. The TMA bit should only be considered valid after the corresponding TTA bit has been set to a logic "1". The TMA bit never causes an interrupt.

When the token is received again, the second transmission will be automatically initiated after the first is completed by using the stored "Enable Transmit from Page fOn" command. The operation is as if a new "Enable Transmit from Page fOn" command has just been issued. After the first Transmit status bits are cleared, the Status Register will again be updated with the results of the second transmission and a second interrupt resulting from the second transmission will occur. The COM20010 guarantees a minimum of 200ns interrupt inactive time interval before the following edge.

The Transmitter Available (TA) bit of the Interrupt Mask Register now masks only the TTA bit of the Status Register, not the TA bit as in the non-chaining mode. Since the TTA bit is only set upon transmission of a packet (not by RESET), and since the TTA bit may easily be reset by issuing a "Clear Transmit Interrupt" command, there is no need to use the TA bit of

the Interrupt Mask Register to mask interrupts generated by the TTA bit of the Status Register.

In both the Command Chaining mode and the non-chaining mode, the "Disable Transmitter" command will cancel the oldest transmission. This permits canceling a packet destined for a node not ready to receive. If both packets should be canceled, two "Disable Transmitter" commands should be issued.

### **Receive Command Chaining**

Like the Transmit Command Chaining operation, the processor can issue two consecutive "Enable Receive from Page fOn" commands.

After the first packet is received into the first specified page, the TRI bit of the Status Register will be set to logic "1", causing an interrupt. Again, the interrupt need not be serviced immediately. Typically, the interrupt service routine will read the Status Register. At this point, the RI bit will be found to be a logic "1". After reading the Status Register, the "Clear Receive Interrupt" command should be issued, thus resetting the TRI bit and clearing the interrupt. Note that only the "Clear Receive Interrupt" command will clear the TRI bit and the interrupt. It is not necessary, however, to clear the bit or the interrupt right away because the status of the receive operation is double buffered in order to retain the results of the first reception for analysis by the processor, therefore the information will remain in the Status Register until the "Clear Receive Interrupt" command is issued. Note that the interrupt will remain active until the "Clear Receive Interrupt" command is issued, and the second interrupt will be stored until the first interrupt is acknowledged. A minimum of 200nS interrupt inactive time interval between interrupts is guaranteed.

The second reception will occur as soon as a second packet is sent to the node, as long as the second "Enable Receive to Page fOn"

command was issued. The operation is as if a new "Enable Receive to Page fOn" command has just been issued. After the first Receive status bits are cleared, the Status Register will again be updated with the results of the second reception and a second interrupt resulting from the second reception will occur.

In the COM20010, the Receive Inhibit (RI) bit of the Interrupt Mask Register now masks only the TRI bit of the Status Register, not the RI bit as in the non-chaining mode. Since the TRI bit is only set upon reception of a packet (not by RESET), and since the TRI bit may easily be reset by issuing a "Clear Receive Interrupt" command, there is no need to use the RI bit of the Interrupt Mask Register to mask interrupts generated by the TRI bit of the Status Register.

In both the Command Chaining mode and the non-chaining mode, the "Disable Receiver" command will cancel the oldest reception, unless the reception has already begun. If both receptions should be canceled, two "Disable Receiver" commands should be issued.

## RESET DETAILS

### Internal Reset Logic

The COM20010 includes special reset circuitry to guarantee smooth operation during reset. Special care is taken to assure proper operation in a variety of systems and modes of operation. The COM20010 contains digital filter circuitry and a Schmitt Trigger on the  $\overline{\text{RESET IN}}$  signal to reject glitches in order to ensure fault-free operation.

The COM20010 supports two reset options; software and hardware reset. A software reset is generated when a logic "1" is written to bit 7 of the Configuration Register. The device remains in reset as long as this bit is set. The software reset does not affect the microcontroller interface modes determined

after hardware reset, nor does it affect the contents of the Address Pointer Registers, the Configuration Register, or the Setup Register. A hardware reset occurs when a low signal is asserted on the  $\overline{\text{RESET IN}}$  input. The minimum reset pulse width is 120 nS (or  $2T + 20$  nS for crystal frequencies other than 20MHz, where  $T = 1/f$ ). This pulse width is used by the internal digital filter, which filters short glitches to allow only valid resets to occur.

Upon reset, the transmitter portion of the device is disabled and the internal registers assume those states outlined in the Internal Registers section.

After the  $\overline{\text{RESET IN}}$  signal is removed the user may write to the internal registers. Since writing a non-zero value to the Node ID Register wakes up the COM20010 core, the Setup Register should be written before the Node ID Register. Once the Node ID Register is written to, the COM20010 reads the value and executes two write cycles to the RAM buffer. Address 0 is written with the data D1H and address 1 is written with the Node ID. The data pattern D1H was chosen arbitrarily, and is meant to provide assurance of proper microsequencer operation.

## INITIALIZATION SEQUENCE

When the COM20010 is powered on the internal registers may be written to. Since writing a non-zero value to the Node ID Register wakes up the core, the Setup Register should be written to before the Node ID Register. Until a non-zero value is placed into the NID Register, no microcode is executed, no tokens are passed by this node, and no reconfigurations are generated by this node. Once a non-zero value is placed in the register, the core wakes up, but the node will not attempt to join the network until the TX Enable bit of the Configuration Register is set.

Before setting the TX Enable bit, the software may make some determinations. The software may first observe the Receive Activity and the Token Seen bits of the Diagnostic Status Register to verify the health of the receiver and the network.

Next, the uniqueness of the Node ID value placed in the Node ID Register is determined. The TX Enable bit should still be a logic "0" until it is ensured that the Node ID is unique. If this node ID already exists, the Duplicate ID bit of the Diagnostic Status Register is set after a maximum of 840mS (or 1680mS if the ET1 and ET2 bits are other than 1,1). To determine if another node on the network already has this ID, the COM20010 compares the value in the Node ID Register with the DID's of the token, and determines whether there is a response to it. Once the Diagnostic Status Register is read, the DUPID bit is cleared. The user may then attempt a new ID value, wait 840mS before checking the Duplicate ID bit, and repeat the process until a unique Node ID is found. At this point, the TX Enable bit may be set to allow the node to join the network. Once the node joins the network, a reconfiguration occurs, as usual, thus setting the MYRECON bit of the Diagnostic Status Register.

The Tentative ID Register may be used to build a network map of all the nodes on the network, even once the COM20010 has joined the network. Once a value is placed in the Tentative ID Register, the COM20010 looks for a response to a token whose DID matches the Tentative ID Register. The software can record this information and continue placing Tentative ID values into the register to continue building the network map. Note that a complete network map is only valid until nodes are added to or deleted from the network.

## **IMPROVED DIAGNOSTICS**

The COM20010 allows the user to better manage the operation of the network through

the use of the internal Diagnostic Status Register.

A high level on the My Reconfiguration (MYRECON) bit indicates that the Token Reception Timer of this node expired, causing a reconfiguration by this node. After the Reconfiguration (RECON) bit of the Status Register interrupts the microcontroller, the interrupt service routine will typically read the MYRECON bit of the Diagnostic Status Register. Reading the Diagnostic Status Register resets the MYRECON bit. Successive occurrences of a logic "1" on the MYRECON bit indicates that a problem exists with this node. At that point, the transmitter should be disabled so that the entire network is not held down while the node is being evaluated.

The Duplicate ID (DUPID) bit is used before the node joins the network to ensure that another node with the same ID does not exist on the network. Once it is determined that the ID in the Node ID Register is unique, the software should write a logic "1" to bit 5 of the Configuration Register to enable the basic transmit function. This allows the node to join the network.

The Receive Activity (RCVACT) bit of the Diagnostic Status Register will be set to a logic "1" whenever activity (logic "1") is detected on the RXIN pin.

The Token Seen (TOKEN) bit is set to a logic "1" whenever any token has been seen on the network (except those tokens transmitted by this node).

The RCVACT and TOKEN bits may help the user to troubleshoot the network or the node. If unusual events are occurring on the network, the user may find it valuable to use the TXEN bit of the Configuration Register to qualify events. Different combinations of the RCVACT, TOKEN, and TXEN bits, as shown indicate different situations:

### **Normal Results:**

RCVACT = 1, TOKEN = 1, TXEN = 0: The node is not part of the network. The network is operating properly without this node.

RCVACT = 1, TOKEN = 1, TXEN = 1: The node sees receive activity and sees the token. The basic transmit function is enabled. Network and node are operating properly.

MYRECON = 0, DUPID = 0, RCVACT = 1, TXEN = 0, TOKEN = 1: Single node network.

### **Abnormal Results:**

RCVACT = 1, TOKEN = 0, TXEN = X: The node sees receive activity, but does not see the token. Either no other nodes exist on the network, some type of data corruption exists, the media driver is malfunctioning, the topology is set up incorrectly, there is noise on the network, or a reconfiguration is occurring.

RCVACT = 0, TOKEN = 0, TXEN = 1: No receive activity is seen and the basic transmit function is enabled. The transmitter and/or receiver are not functioning properly.

RCVACT = 0, TOKEN = 0, TXEN = 0: No receive activity and basic transmit function disabled. This node is not connected to the network.

The Excessive NAK (EXCNAK) bit is used to replace a timeout function traditionally implemented in software. This function is necessary to limit the number of times a sender issues a FBE to a node with no available buffer. When the destination node replies to 128 FBE's with 128 NAK's, the EXCNAK bit of the sender is set, generating an interrupt. At this point the software may abandon the transmission via the "Disable Transmitter" command. This sets the TA bit to logic "1" when the node next receives the token, to allow a different transmission to occur.

The user may choose to wait for more NAK's before disabling the transmitter by taking advantage of the wraparound counter of the EXCNAK bit. When the EXCNAK bit goes high, indicating 128 NAK's, the "POR Clear Flags" command may be issued to reset the bit so that it will go high again after another count of 128. The software may count the number of times the EXCNAK bit goes high, and once the final count is reached, the "Disable Transmitter" command may be issued.

The Tentative ID bit allows the user to build a network map of those nodes existing on the network. This feature is useful because it minimizes the need for human intervention. When a value placed in the Tentative ID Register matches the Node ID of another node on the network, the TENTID bit is set, telling the software that this NODE ID exists. The software should periodically place values in the Tentative ID Register to maintain an updated network map.

### **OSCILLATOR**

The COM20010 contains circuitry which, in conjunction with an external parallel resonant crystal or TTL clock, forms an oscillator.

If an external crystal is used, two capacitors are needed (one from each leg of the crystal to ground). No external resistor is required, since the COM20010 contains an internal resistor. The crystal must have an accuracy of 0.020% or better.

The XTAL2 side of the crystal may be loaded with a single 74HC-type buffer in order to generate a clock for other devices.

The user may attach an external TTL clock, rather than a crystal, to the XTAL1 signal. In this case, a 390Ω pull-up resistor is required on XTAL1, while XTAL2 should be left unconnected.

## OPERATIONAL DESCRIPTION

### MAXIMUM GUARANTEED RATINGS\*

Operating Temperature Range	.....0°C to +70°C
Storage Temperature Range	..... -55°C to +150°C
Lead Temperature (soldering, 10 seconds)	..... +325°C
Positive Voltage on any pin, with respect to ground	..... $V_{DD} + 0.3V$
Negative Voltage on any pin, with respect to ground	..... -0.3V
Maximum $V_{DD}$	..... +7V

\*Stresses above those listed may cause permanent damage to the device. This is a stress rating only and functional operation of the device at these or any other condition above those indicated in the operational sections of this specification is not implied.

**NOTE:** When powering this device from laboratory or system power supplies, it is important that the Absolute Maximum Ratings not be exceeded or device failure can result. Some power supplies exhibit voltage spikes or "glitches" on their outputs when the AC power is switched on or off. In addition, voltage transients on the AC power line may appear on the DC output. If this possibility exists it is suggested that a clamp circuit be used.

**DC ELECTRICAL CHARACTERISTICS**  $V_{DD} = 5.0V \pm 10\%$   
 COM20010:  $T_A = 0^\circ C$  to  $+70^\circ C$ , COM20010 I:  $T_A = -40^\circ C$  to  $+85^\circ C$

PARAMETER	SYMBOL	MIN	TYP	MAX	UNIT	COMMENT
Low Input Voltage 1 (All inputs except <u>XTAL1</u> , <u>RESET</u> , <u>RD</u> , <u>WR</u> , and <u>RXIN</u> ) High	$V_{IL1}$			0.8	V	TTL Levels
High Input Voltage 1 (All inputs except <u>XTAL1</u> , <u>RESET</u> , <u>RD</u> , <u>WR</u> , and <u>RXIN</u> )	$V_{IH1}$	2.0			V	TTL Levels
Low Input Voltage 2 ( <u>XTAL1</u> )	$V_{IL2}$			1.0	V	TTL Clock Input
High Input Voltage 2 ( <u>XTAL1</u> )	$V_{IH2}$	4.0			V	
Low to High Threshold Input Voltage ( <u>RESET</u> , <u>RD</u> , <u>WR</u> , <u>RXIN</u> )	$V_{RLH}$		1.8		V	Schmitt Trigger, All Values at $V_{DD} =$ 5V
High to Low Threshold Input Voltage ( <u>RESET</u> , <u>RD</u> , <u>WR</u> , <u>RXIN</u> )	$V_{HL}$		1.2		V	

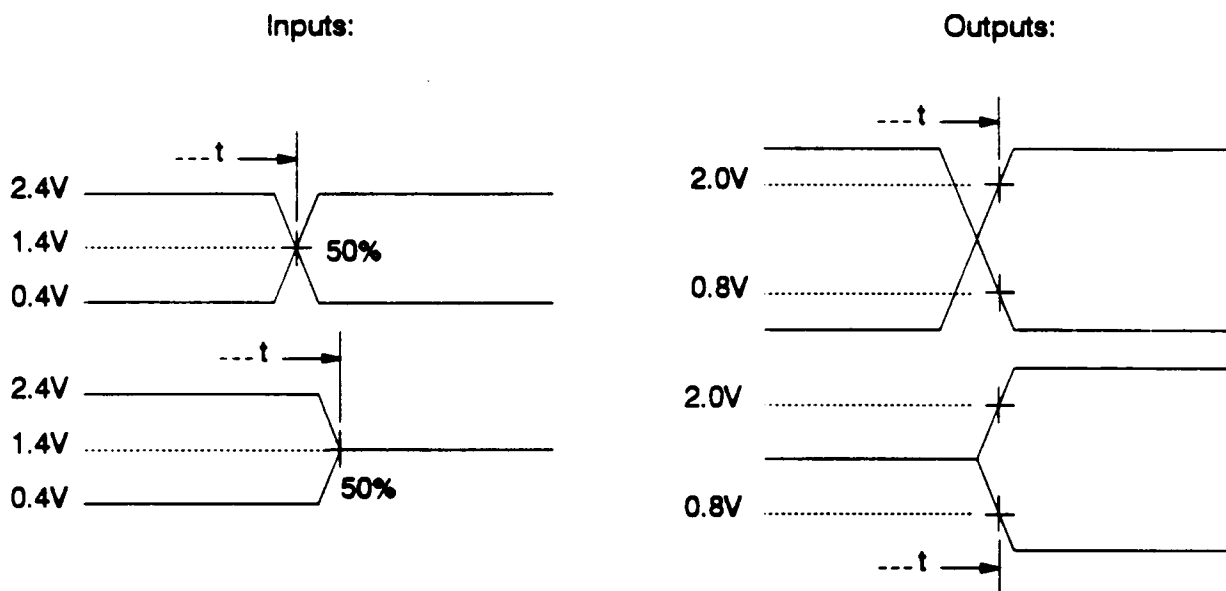
PARAMETER	SYMBOL	MIN	TYP	MAX	UNIT	COMMENT
Low Output Voltage 1 ( <u>PULSE1</u> in Normal Mode, <u>PULSE2</u> , <u>TXEN</u> )	$V_{OL1}$			0.4	V	$I_{SINK} = 4mA$
High Output Voltage 1 ( <u>PULSE1</u> in Normal Mode, <u>PULSE2</u> , <u>TXEN</u> )	$V_{OH1}$	2.4			V	$I_{SOURCE} = -12mA$
Low Output Voltage 2 (D0-D7)	$V_{OL2}$			0.4	V	$I_{SINK}^{\wedge} = 16mA$
High Output Voltage 2 (D0-D7)	$V_{OH2}$	2.4			V	$I_{SOURCE} = -12mA$
Low Output Voltage 3 ( <u>INTR</u> )	$V_{OL3}$			0.8	V	$I_{SINK} = 24mA$
High Output Voltage 3 ( <u>INTR</u> )	$V_{OH3}$	2.4			V	$I_{SOURCE} = -10mA$
Low Output Voltage 4 ( <u>PULSE1</u> in Backplane Mode)	$V_{OL4}$			0.5	V	$I_{SINK} = 48mA$ Open Drain Driver
Dynamic $V_{DD}$ Supply Current 1	$I_{DD1}$			50	mA	
Input Pull-up Current ( <u>PULSE1</u> in Backplane Mode, A1, AD0-AD2, D3-D7)	$I_P$		30	95	$\mu A$	$V_{IN} = 0.0V$
Input Leakage Current (All inputs except A1, AD0-AD2, D3-D7, XTAL1, XTAL2)	$I_L$			$\pm 10$	$\mu A$	$V_{SS} < V_{IN} < V_{DD}$

**CAPACITANCE** ( $T_A = 25^\circ\text{C}$ ;  $f_c = 1\text{MHz}$ ;  $V_{\text{DD}} = 0\text{V}$ )

Output and I/O pins capacitive load specified as follows:

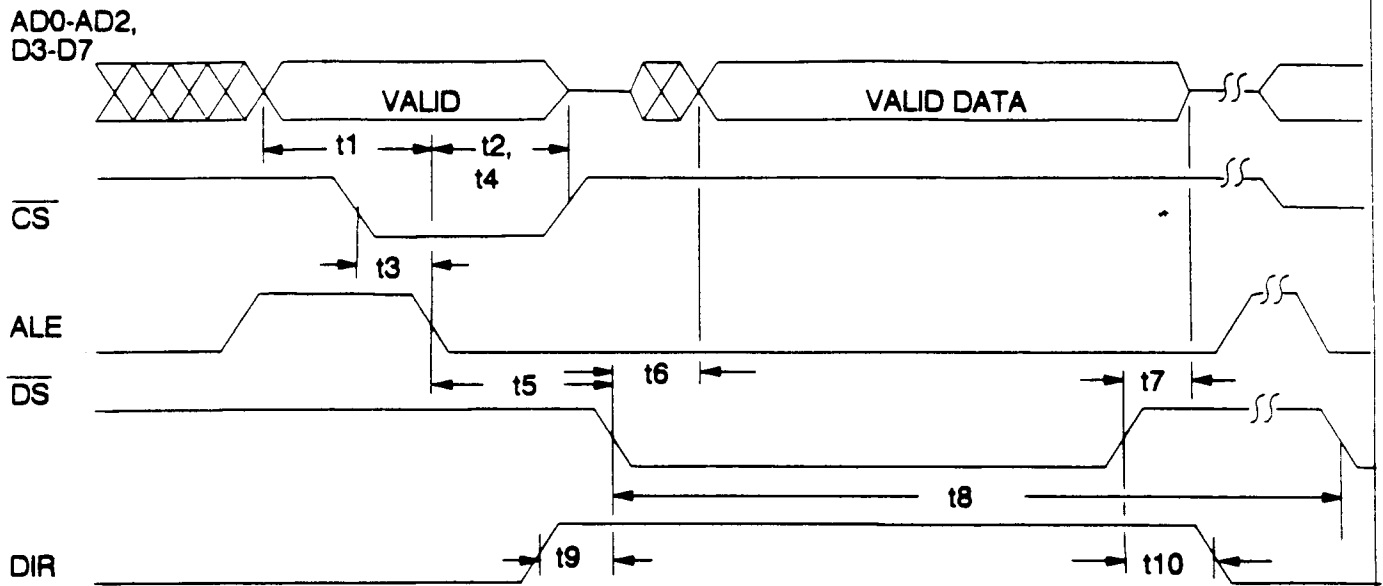
PARAMETER	SYMBOL	MIN	TYP	MAX	UNIT	COMMENTS
Input Capacitance	$C_{\text{IN}}$			5.0	pF	
Output Capacitance 1 (All outputs except <u>PULSE1</u> in BackPlane Mode)	$C_{\text{OUT1}}$			45	pF	Maximum Capacitive Load which can be supported by each output.
Output Capacitance 2 ( <u>PULSE1</u> , in BackPlane Mode Only)	$C_{\text{OUT2}}$			400	pF	

AC Measurements are taken at the following points:



Inputs are driven at 2.4V for logic "1" and 0.4 V for logic "0".

Outputs are measured at 2.0V min. for logic "1" and 0.8V max. for logic "0".



	Parameter	min	max	units
t1	Address Setup to ALE Low	30		nS
t2	Address Hold from ALE Low	10		nS
t3	$\overline{CS}$ Setup to ALE Low	10		nS
t4	$\overline{CS}$ Hold from ALE Low	20		nS
t5	ALE Low to $\overline{DS}$ Low	15		nS
t6	$\overline{DS}$ Low to Valid Data		40	nS
t7	$\overline{DS}$ High to Data High Impedance	0	20	nS
t8	Cycle Time ( $\overline{DS}$ Low to Next Time Low)	$3.5T + 10nS^*$		nS
t9	DIR Setup to $\overline{DS}$ Active	10		nS
t10	DIR Hold from $\overline{DS}$ Inactive	10		nS

\* T is the Arbitration Clock Period.

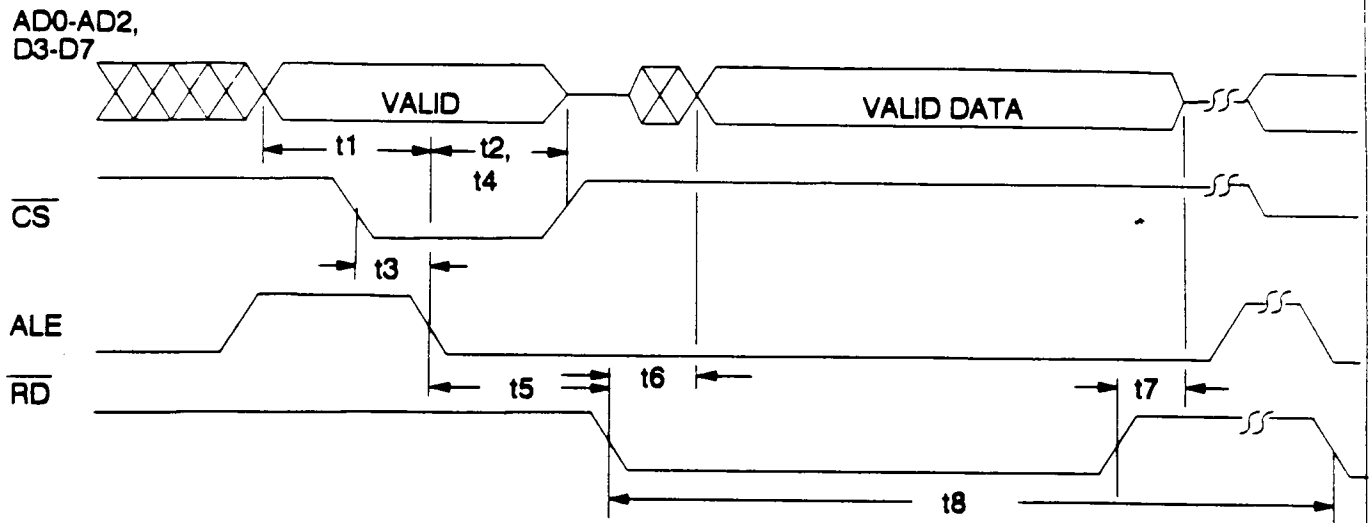
T is identical to XTAL1 if SLOW ARB = 0,  
Ex: t8 min is 185 nS if 20MHz crystal is used.

T is twice XTAL1 period if SLOW ARB = 1

Note 1: The Microcontroller typically accesses the COM20010 on every other cycle. Therefore, the cycle time specified in the microcontroller's datasheet should be doubled when considering back-to-back COM20010 cycles.

**FIGURE 9 - MULTIPLEXED BUS, 68XX-LIKE CONTROL SIGNALS; READ CYCLE**





	Parameter	min	max	units
t1	Address Setup to ALE Low	30		nS
t2	Address Hold from ALE Low	10		nS
t3	$\overline{CS}$ Setup to ALE Low	10		nS
t4	$\overline{CS}$ Hold from ALE Low	20		nS
t5	ALE Low to $\overline{RD}$ Low	15		nS
t6	$\overline{RD}$ Low to Valid Data		40	nS
t7	$\overline{RD}$ High to Data High Impedance	0	20	nS
t8	Cycle Time ( $\overline{RD}$ Low to Next Time Low)	3.5T+10nS*		nS

\* T is the Arbitration Clock Period.

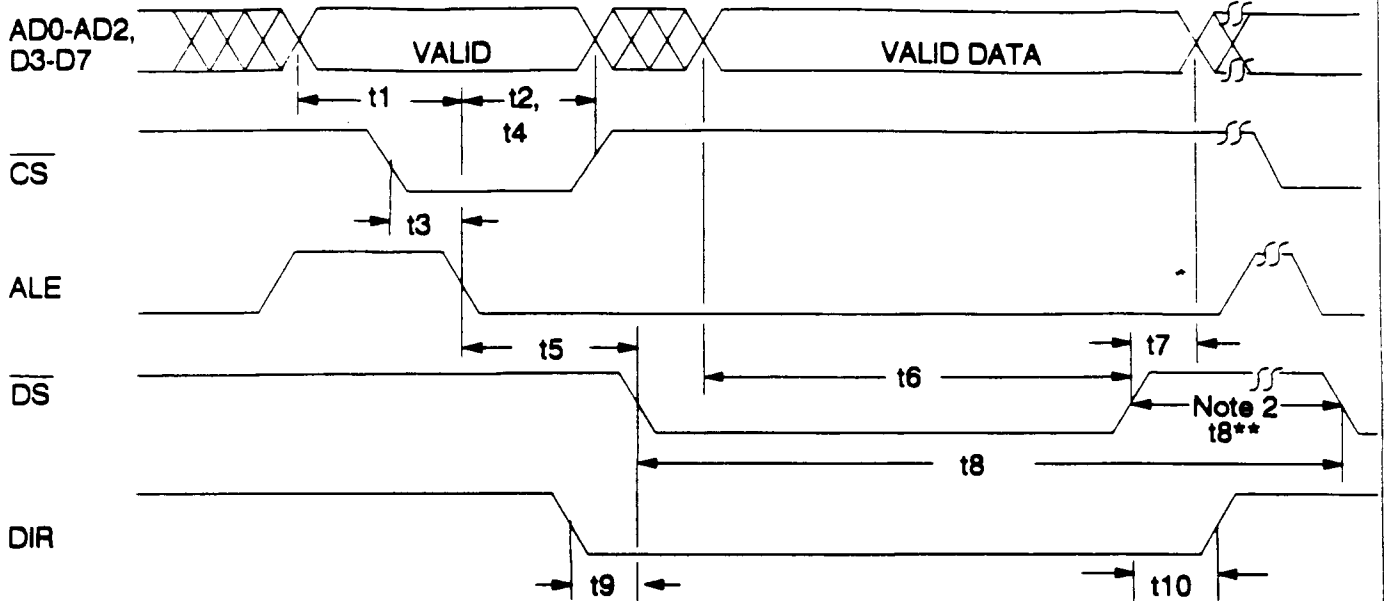
T is identical to XTAL1 if SLOW ARB = 0,

Ex: t8 min is 185 nS if 20MHz crystal is used.

T is twice XTAL1 period if SLOW ARB = 1

Note 1: The Microcontroller typically accesses the COM20010 on every other cycle. Therefore, the cycle time specified in the microcontroller's datasheet should be doubled when considering back-to-back COM20010 cycles.

**FIGURE 9A - MULTIPLEXED BUS, 80XX-LIKE CONTROL SIGNALS; READ CYCLE**



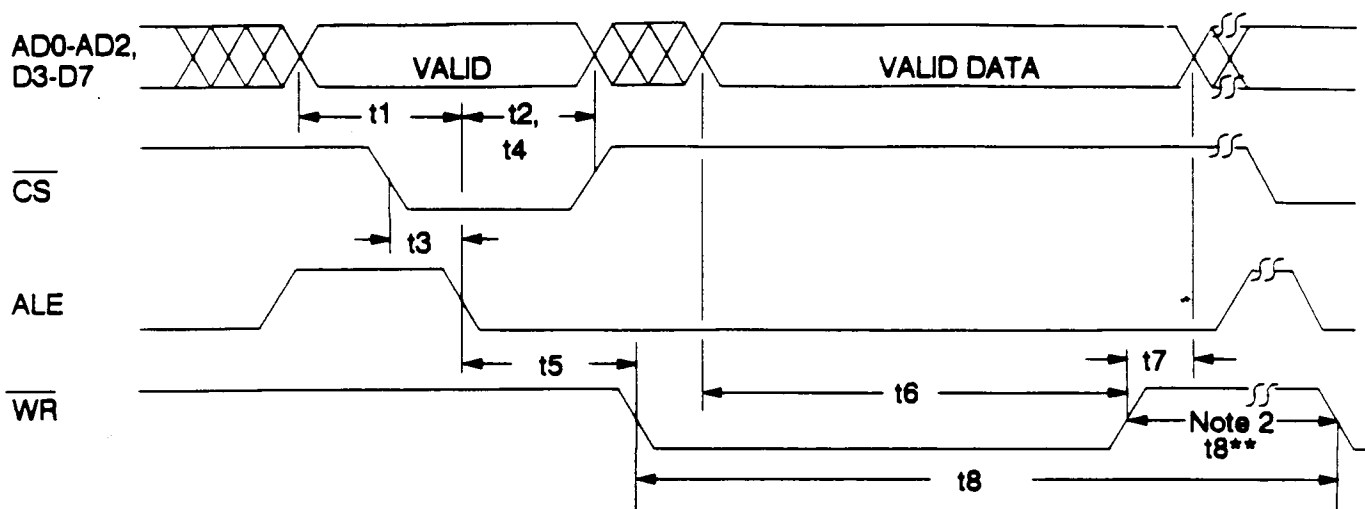
	Parameter	min	max	units
t1	Address Setup to ALE Low	30		nS
t2	Address Hold from ALE Low	10		nS
t3	$\overline{CS}$ Setup to ALE Low	10		nS
t4	$\overline{CS}$ Hold from ALE Low	20		nS
t5	ALE Low to $\overline{DS}$ Low	15		nS
t6	Valid Data Setup to $\overline{DS}$ High	30		nS
t7	Data Hold from $\overline{DS}$ High	10		nS
t8	Cycle Time ( $\overline{DS}$ Low to Next Time Low)**	$3.5T + 10nS^*$		nS
t9	DIR Setup to $\overline{DS}$ Active	10		nS
t10	DIR Hold from $\overline{DS}$ Inactive	10		nS

\* T is the Arbitration Clock Period.  
 T is identical to XTAL1 if SLOW ARB = 0,  
 Ex: t8 min is 185 nS if 20MHz crystal is used.  
 T is twice XTAL1 period if SLOW ARB = 1

Note 1: The Microcontroller typically accesses the COM20010 on every other cycle. Therefore, the cycle time specified in the microcontroller's datasheet should be doubled when considering back-to-back COM20010 cycles.

\*\* Note 2: Any cycle occurring after a write to Address Pointer Low Register requires a minimum of  $3.5T + 10ns$  from the trailing edge of  $\overline{DS}$  to the leading edge of the next  $\overline{DS}$ .

**FIGURE 10 - MULTIPLEXED BUS, 68XX-LIKE CONTROL SIGNALS; WRITE CYCLE**



	Parameter	min	max	units
t1	Address Setup to ALE Low	30		nS
t2	Address Hold from ALE Low	10		nS
t3	CS Setup to ALE Low	10		nS
t4	CS Hold from ALE Low	20		nS
t5	ALE Low to WR Low	15		nS
t6	Valid Data Setup to WR High	30		nS
t7	Data Hold from WR High	10		nS
t8	Cycle Time (WR Low to Next Time Low)**	3.5T+10nS*		nS

\* T is the Arbitration Clock Period.

T is identical to XTAL1 if SLOW ARB = 0,

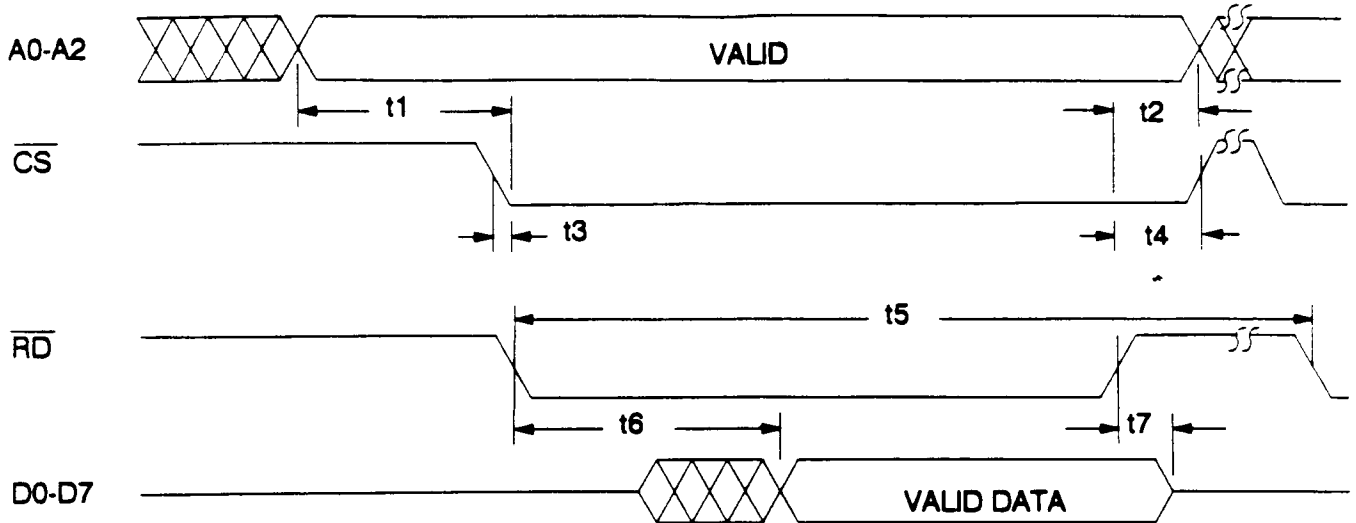
Ex: t8 min is 185 nS if 20MHz crystal is used.

T is twice XTAL1 period if SLOW ARB = 1

Note 1: The Microcontroller typically accesses the COM20010 on every other cycle. Therefore, the cycle time specified in the microcontroller's datasheet should be doubled when considering back-to-back COM20010 cycles.

\*\* Note 2: Any cycle occurring after a write to Address Pointer Low Register requires a minimum of 3.5T+10ns from the trailing edge of WR to the leading edge of the next WR.

FIGURE 10A - MULTIPLEXED BUS, 80XX-LIKE CONTROL SIGNALS; WRITE CYCLE



	Parameter	min	max	units
t1	Address Setup to $\overline{RD}$ Active	15		nS
t2	Address Hold from $\overline{RD}$ Inactive	10		nS
t3	$\overline{CS}$ Setup to $\overline{RD}$ Active	5**		nS
t4	$\overline{CS}$ Hold from $\overline{RD}$ Inactive	0		nS
t5	Cycle Time ( $\overline{RD}$ Low to Next Time Low)	$3.5T + 10nS^*$		nS
t6	$\overline{RD}$ Low to Valid Data		40	nS
t7	$\overline{RD}$ High to Data High Impedance	0	20	nS

\* T is the Arbitration Clock Period.

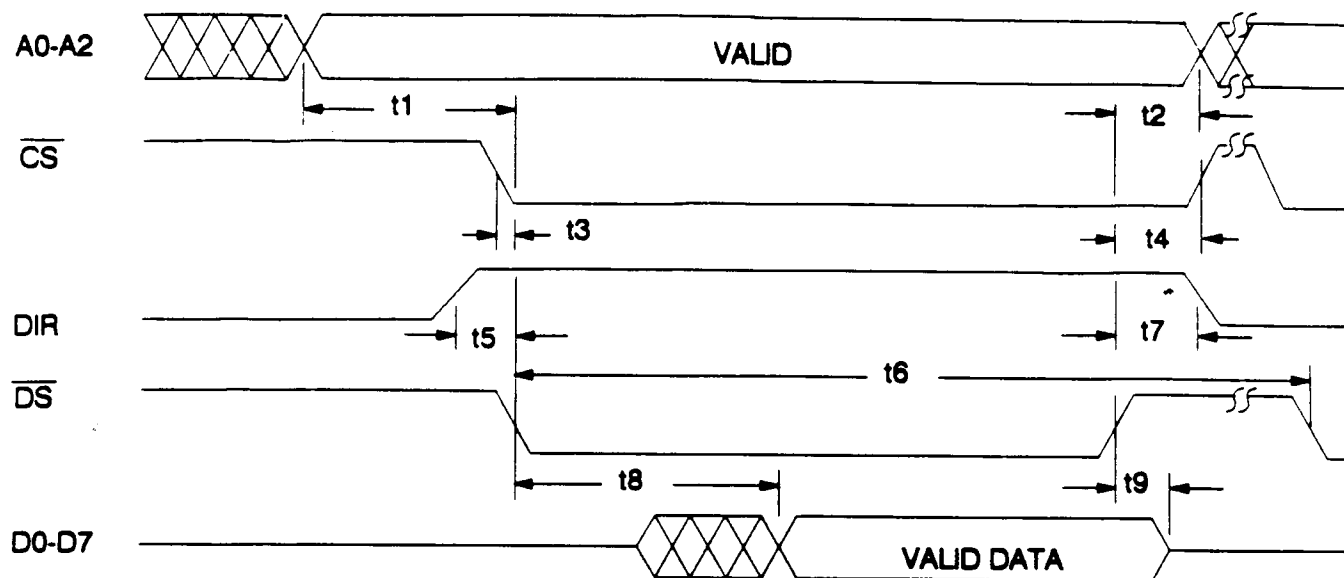
T is identical to XTAL1 if SLOW ARB = 0,  
Ex: t6 min is 185 nS if 20MHz crystal is used.

T is twice XTAL1 period if SLOW ARB = 1

\*\*  $\overline{CS}$  may become active *after* control becomes active, but the access time will now be 45nS measured from the leading edge of  $\overline{CS}$ .

Note 1: The Microcontroller typically accesses the COM20010 on every other cycle. Therefore, the cycle time specified in the microcontroller's datasheet should be doubled when considering back-to-back COM20010 cycles.

FIGURE 11 - NON-MULTIPLEXED BUS, 80XX-LIKE CONTROL SIGNALS; READ CYCLE



	Parameter	min	max	units
t1	Address Setup to $\overline{DS}$ Active	15		nS
t2	Address Hold from $\overline{DS}$ Inactive	10		nS
t3	$\overline{CS}$ Setup to $\overline{DS}$ Active	5**		nS
t4	$\overline{CS}$ Hold from $\overline{DS}$ Inactive	0		nS
t5	DIR Setup to $\overline{DS}$ Active	10		nS
t6	Cycle Time ( $\overline{DS}$ Low to Next Time Low)	$3.5T + 10nS^*$		nS
t7	DIR Hold from $\overline{DS}$ Active	10		nS
t8	$\overline{DS}$ Low to Valid Data		40	nS
t9	$\overline{DS}$ High to Data High Impedance		20	nS

\* T is the Arbitration Clock Period.

T is identical to XTAL1 if SLOW ARB = 0,

Ex: t6 min is 185 nS if 20MHz crystal is used.

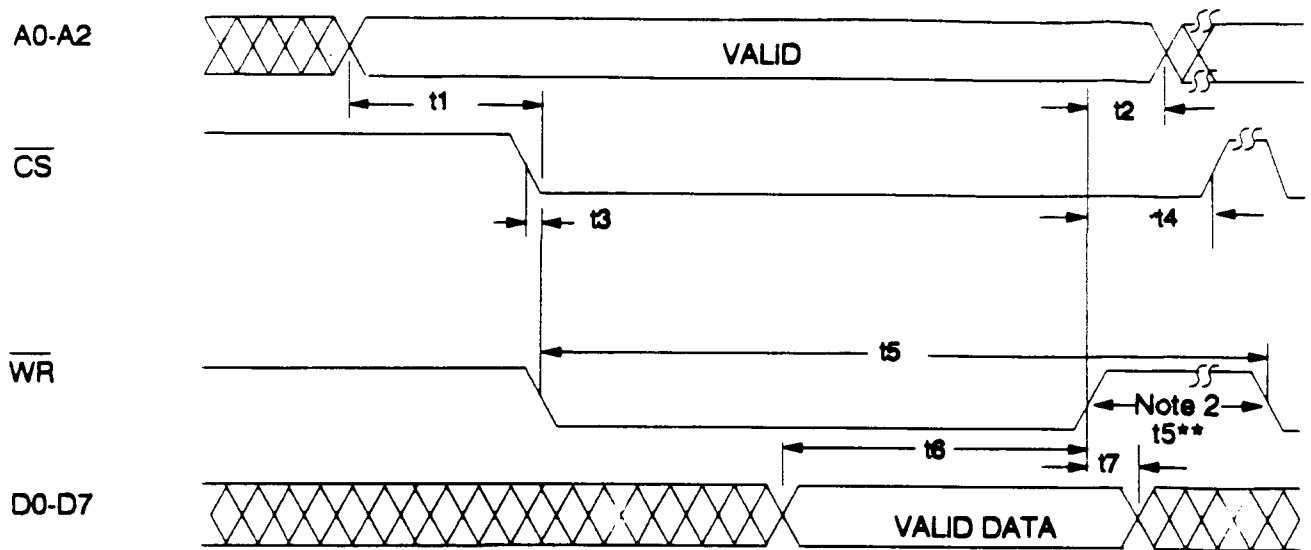
T is twice XTAL1 period if SLOW ARB = 1

\*\*  $\overline{CS}$  may become active after control becomes active, but the access time will now be 45nS measured from the leading edge of  $\overline{CS}$ .

Note 1: The Microcontroller typically accesses the COM20010 on every other cycle.

Therefore, the cycle time specified in the microcontroller's datasheet should be doubled when considering back-to-back COM20010 cycles.

FIGURE 11A - NON-MULTIPLEXED BUS, 68XX-LIKE CONTROL SIGNALS; READ CYCLE



	Parameter	min	max	units
t1	Address Setup to $\overline{WR}$ Active	15		nS
t2	Address Hold from $\overline{WR}$ Inactive	10		nS
t3	$\overline{CS}$ Setup to $\overline{WR}$ Active	5		nS
t4	$\overline{CS}$ Hold from $\overline{WR}$ Inactive	0		nS
t5	Cycle Time ( $\overline{WR}$ Low to Next Time Low)**	$3.5T + 10ns^*$		nS
t6	Valid Data Setup to $\overline{WR}$ High	$30^{**}$		nS
t7	Data Hold from $\overline{WR}$ High	10		nS

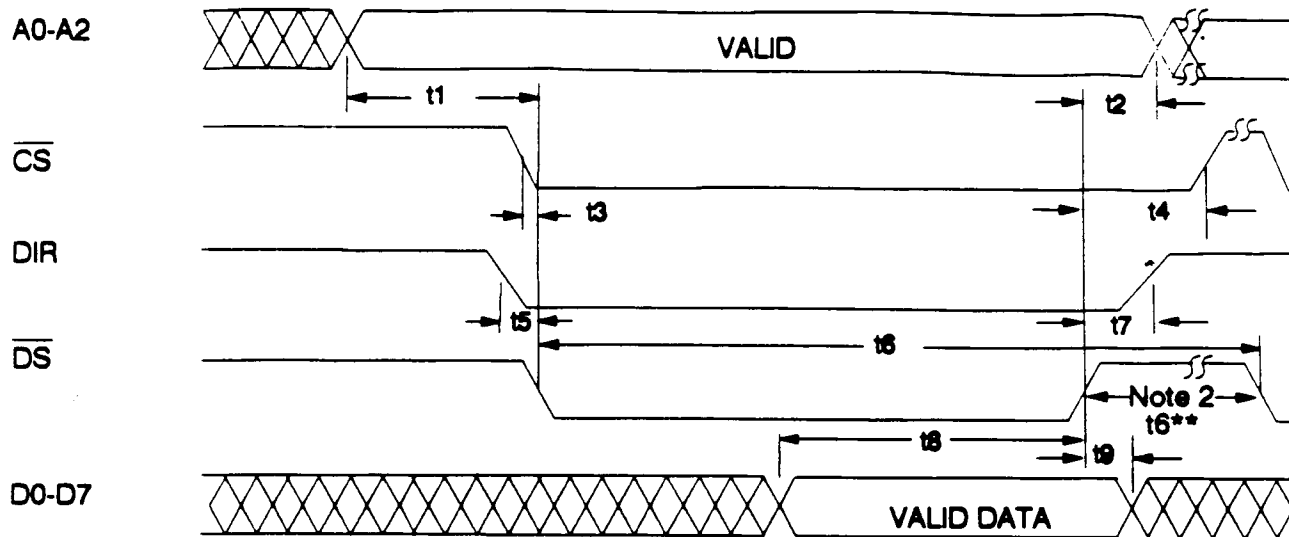
\* T is the Arbitration Clock Period.  
 T is identical to XTAL1 if SLOW ARB = 0,  
 Ex: t6 min is 185 nS if 20MHz crystal is used.  
 T is twice XTAL1 period if SLOW ARB = 1

\*\* $\overline{CS}$  may become active after control becomes active, but the data setup time will now be 30 nS measured from the later of  $\overline{CS}$  falling or Valid Data available.

Note 1: The Microcontroller typically accesses the COM20010 on every other cycle. Therefore, the cycle time specified in the microcontroller's datasheet should be doubled when considering back-to-back COM20010 cycles.

Note 2: Any cycle occurring after a write to the Address Pointer Low Register requires a minimum of  $3.5T + 10ns$  from the trailing edge of  $\overline{WR}$  to the leading edge of the next  $\overline{WR}$ .

**FIGURE 12 - NON-MULTIPLEXED BUS, 80XX-LIKE CONTROL SIGNALS; WRITE CYCLE**



	Parameter	min	max	units
t1	Address Setup to $\overline{DS}$ Active	15		nS
t2	Address Hold from $\overline{DS}$ Inactive	10		nS
t3	$\overline{CS}$ Setup to $\overline{DS}$ Active	5		nS
t4	$\overline{CS}$ Hold from $\overline{DS}$ Inactive	0		nS
t5	DIR Setup to $\overline{DS}$ Active	10		nS
t6	Cycle Time ( $\overline{DS}$ Low to Next Time Low)**	$3.5T + 10ns^*$		nS
t7	DIR Hold from $\overline{DS}$ Inactive	10		nS
t8	Valid Data Setup to $\overline{DS}$ High	$30^{**}$		nS
t9	Data Hold from $\overline{DS}$ High	10		nS

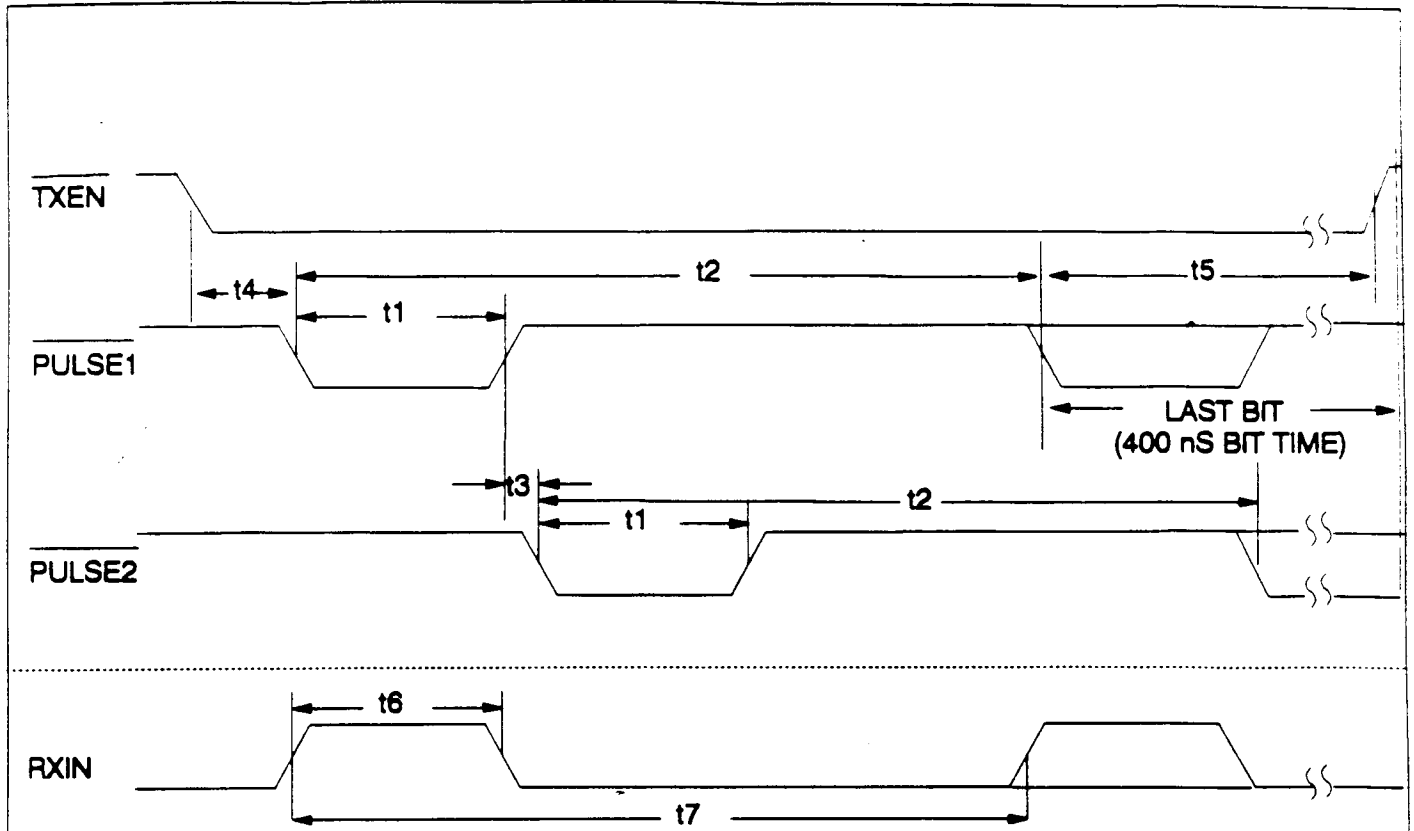
\* T is the Arbitration Clock Period.  
 T is identical to XTAL1 if SLOW ARB = 0,  
 Ex: t6 min is 185 nS if 20MHz crystal is used.  
 T is twice XTAL1 period if SLOW ARB = 1

\*\* $\overline{CS}$  may become active after control becomes active, but the data setup time will now be 30 nS measured from the later of CS falling or Valid Data available.

Note 1: The Microcontroller typically accesses the COM20010 on every other cycle. Therefore, the cycle time specified in the microcontroller's datasheet should be doubled when considering back-to-back COM20010 cycles.

Note 2: Any cycle occurring after a write to the Address Pointer Low Register requires a minimum of  $3.5T + 10ns$  from the trailing edge of  $\overline{DS}$  to the leading edge of the next  $\overline{DS}$ .

FIGURE 12A - NON-MULTIPLEXED BUS, 68XX-LIKE CONTROL SIGNALS; WRITE CYCLE



	Parameter	min	typ	max	units
t1	PULSE1, PULSE2 Pulse Width		100 *		nS
t2	PULSE1, PULSE2 Period		400 *		nS
t3	PULSE1, PULSE2 Overlap	-10	0	+10	nS
t4	TXEN Low to PULSE1 Low**	850		950	nS
t5	Beginning of Last Bit Time to TXEN High**	250		350	nS
t6	RXIN Pulse Width	10	100 *		nS
t7	RXIN Period		400 *		nS

\* t1 = 2 x (crystal period) for clock frequencies other than 20 MHz.

\* t2, t7 = 8 x (crystal period) for clock frequencies other than 20 MHz.

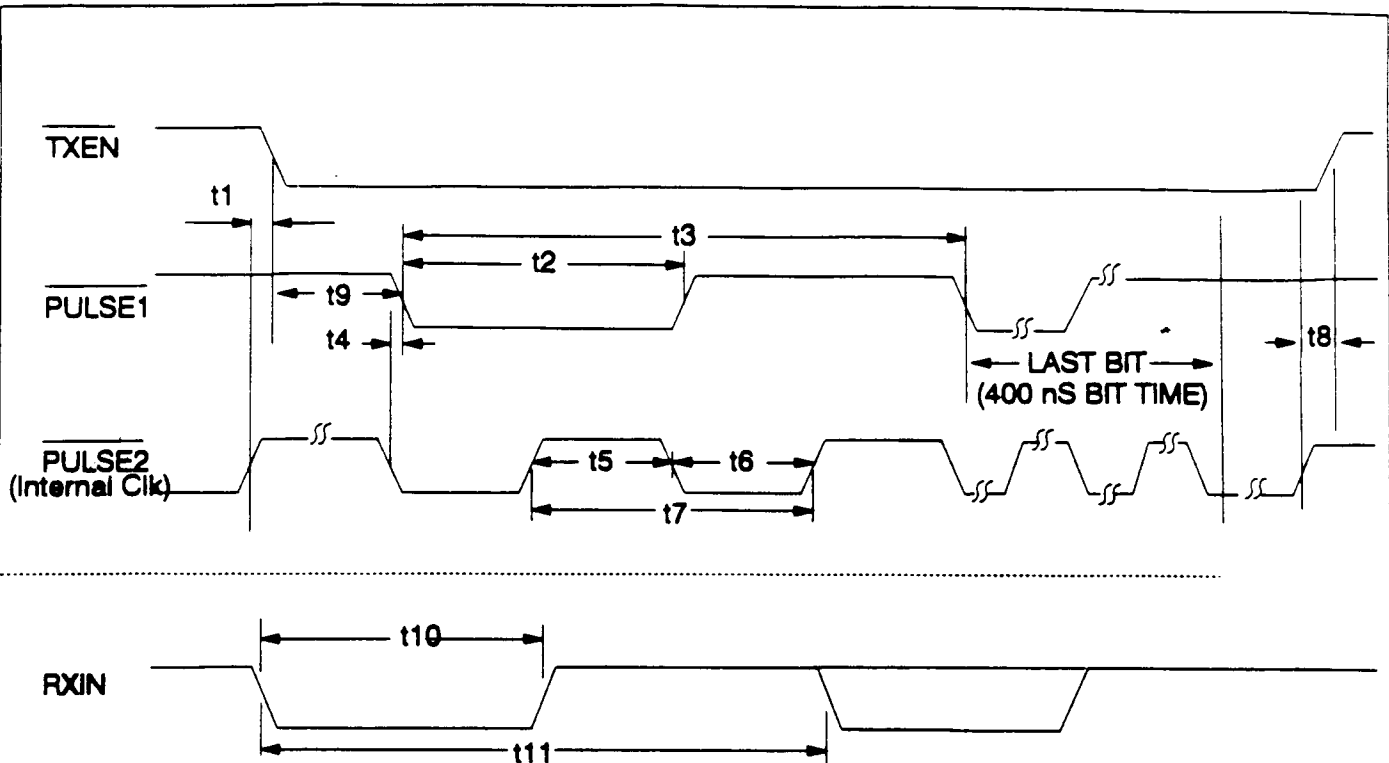
This period applies to data of two consecutive one's.

\*\* t4: For clock frequencies other than 20 MHz, t4 = 18 x (crystal period) ± 50 nsec.

\*\* t5: For clock frequencies other than 20 MHz, t5 = 6 x (crystal period) ± 50 nsec.

**FIGURE 13 - NORMAL MODE TRANSMIT OR RECEIVE TIMING**  
(These signals are to and from the hybrid)





	Parameter	min	typ	max	units
t1	$\overline{\text{PULSE2}}$ High to $\overline{\text{TXEN}}$ Low	0		50	nS
t2	$\overline{\text{PULSE1}}$ Pulse Width		200*		nS
t3	$\overline{\text{PULSE1}}$ Period		400*		nS
t4	$\overline{\text{PULSE2}}$ Low to $\overline{\text{PULSE1}}$ Low	0		50	nS
t5	$\overline{\text{PULSE2}}$ High Time		100*		nS
t6	$\overline{\text{PULSE2}}$ Low Time		100*		nS
t7	$\overline{\text{PULSE2}}$ Period		200*		nS
t8	$\overline{\text{PULSE2}}$ High to $\overline{\text{TXEN}}$ High (First rising edge on $\overline{\text{PULSE2}}$ after Last Bit Time)	0		50	nS
t9	$\overline{\text{TXEN}}$ Low to first $\overline{\text{PULSE1}}$ Low**	650		750	nS
t10	$\overline{\text{RXIN}}$ Pulse Width	10	200*		nS
t11	$\overline{\text{RXIN}}$ Period		400*		nS

\* t5,t6 = 2 x (crystal period) for clock frequencies other than 20 MHz.

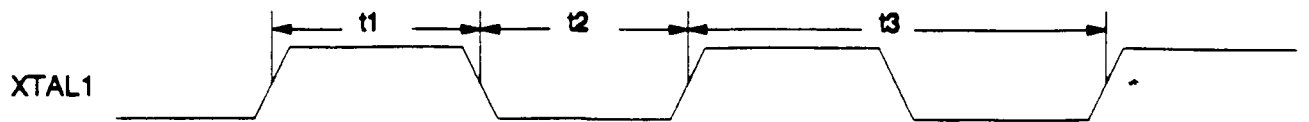
\* t2,t7,t10 = 4 x (crystal period) for clock frequencies other than 20 MHz.

\* t3,t11 = 8 x (crystal period) for clock frequencies other than 20 MHz.

This period applies to data of two consecutive one's.

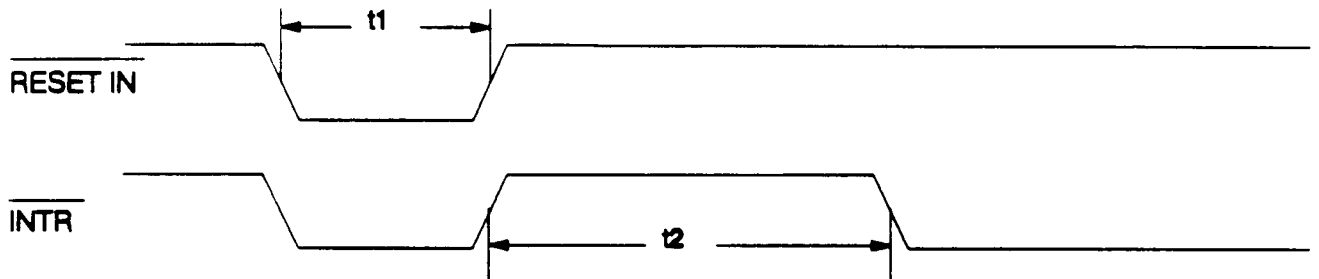
\*\* t9: For clock frequencies other than 20 MHz, t9 = 14 x (clock period)  $\pm$  50 nsec.

**FIGURE 14 - BACKPLANE MODE TRANSMIT OR RECEIVE TIMING**  
(These signals are to and from the differential driver or the cable)



	Parameter	min	typ	max	units
t1	Input Clock High Time	20			nS
t2	Input Clock Low Time	20			nS
t3	Input Clock Period	50		125	nS
t4	Input Clock Frequency	8		20	MHz

FIGURE 15 - TTL INPUT TIMING ON XTAL1 PIN



	Parameter	min	typ	max	units
t1	<u>RESET IN</u> Pulse Width	120			nS
t2	<u>INTR</u> High to Next INTR Low	200			nS

FIGURE 16 - RESET AND INTERRUPT TIMING

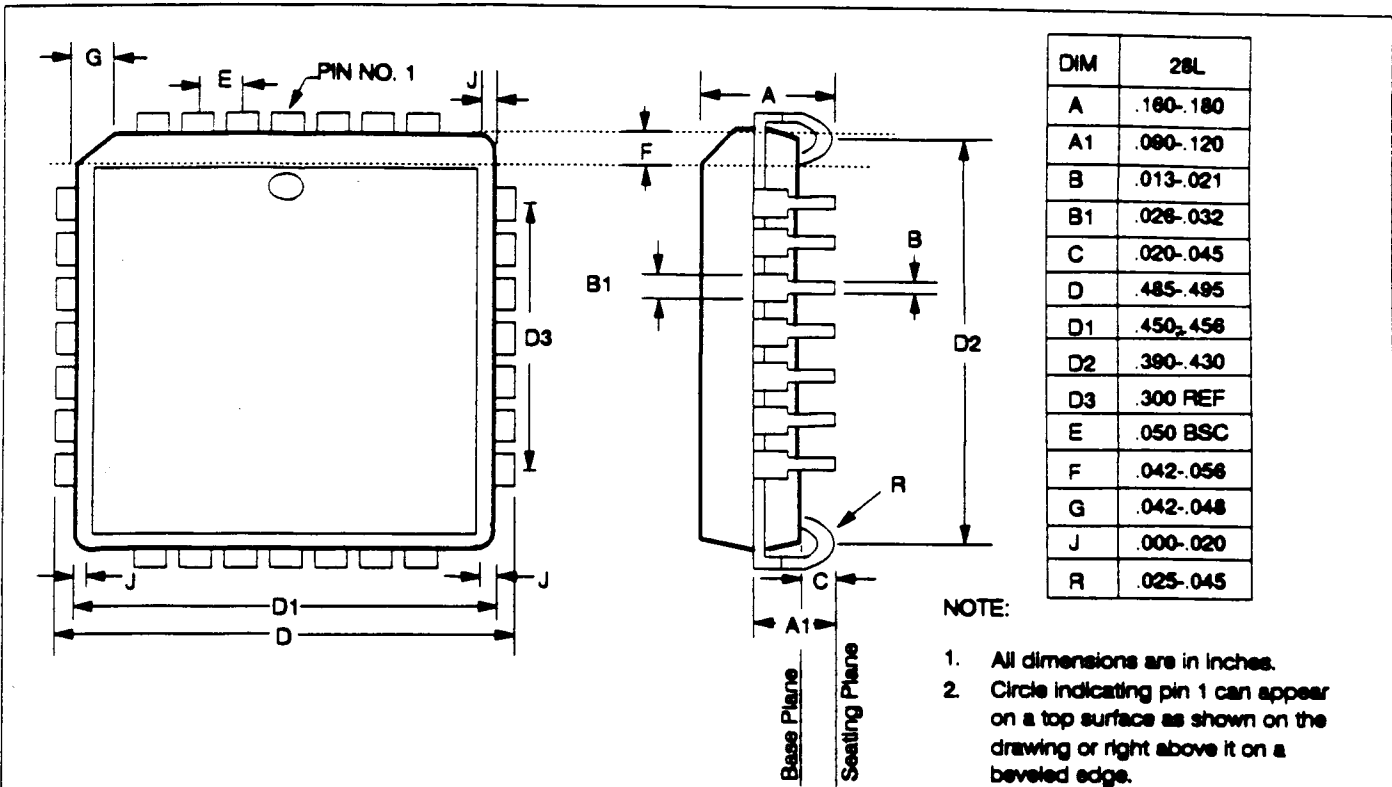


FIGURE 17 - 28-PIN PLCC PACKAGE DIMENSIONS

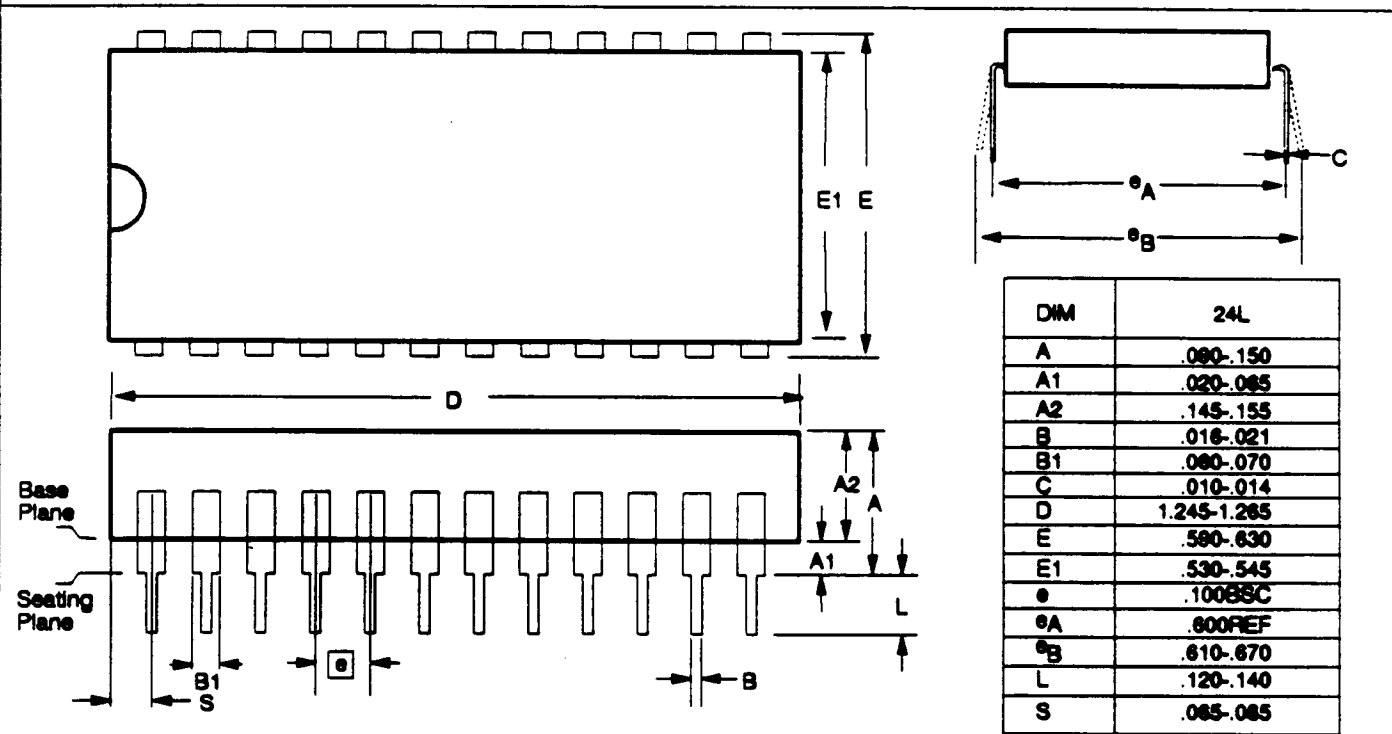


FIGURE 17A - 24-PIN DIP PACKAGE DIMENSIONS

030270 ✓

©1991 STANDARD MICROSYSTEMS  
CORP.

**STANDARD MICROSYSTEMS  
CORPORATION**

COMPONENT  
PRODUCTS DIVISION

Circuit diagrams utilizing SMC products are included as a means of illustrating typical applications; consequently complete information sufficient for construction purposes is not necessarily given. The information has been carefully checked and is believed to be entirely reliable. However, no responsibility is assumed for inaccuracies. Furthermore, such information does not convey to the purchaser of the semiconductor devices described any licenses under the patent rights of SMC or others. SMC reserves the right to make changes at any time in order to improve design and supply the best product possible.