

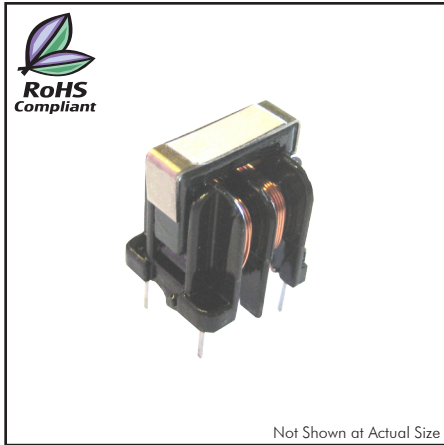
## CTUF0917VF Series

From 0.2mH to 10mH

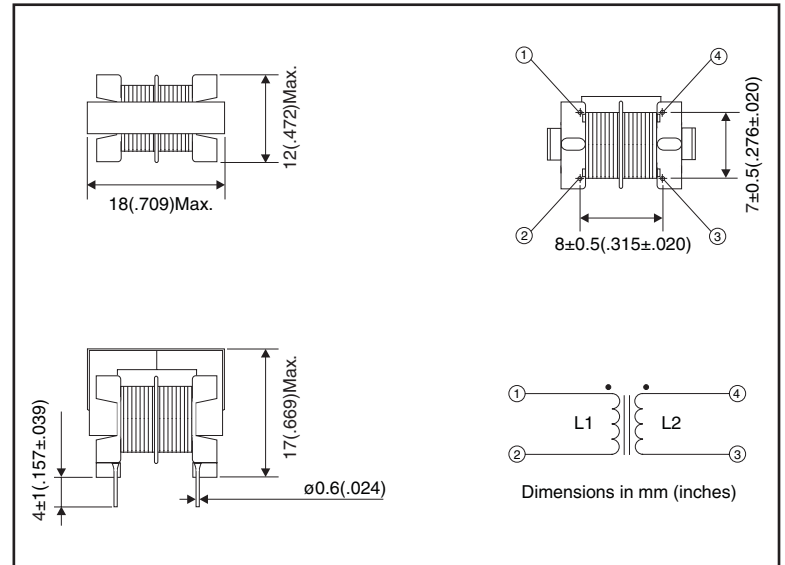
### SPECIFICATIONS

\*Indicates the inductance difference between the coil L1 and L2.

| Part Number        | Inductance (Min.) (mH) | Inductance Difference* (μH Max.) | DCR Max. (Ω) | Rated Current Max. (A) |
|--------------------|------------------------|----------------------------------|--------------|------------------------|
| CTUF0917VF-103MR25 | 10                     | 200                              | 3.5          | 0.25                   |
| CTUF0917VF-282M0R5 | 2.8                    | 50                               | 1.0          | 0.5                    |
| CTUF0917VF-132M0R7 | 1.3                    | 50                               | 0.5          | 0.7                    |
| CTUF0917VF-601M1R0 | 0.6                    | 25                               | 0.2          | 1.0                    |
| CTUF0917VF-201M1R6 | 0.2                    | 25                               | 0.1          | 1.6                    |



### PHYSICAL DIMENSIONS



### CHARACTERISTICS

- Description:** Common mode choke coils
  - Applications:** For power supply line
  - Rated Voltage:** 250Vac
  - Operating Temperature:** -20°C to +105°C including self temperature rise
  - Temperature Rise:** 45°C maximum each line
  - Dielectric Withstanding Voltage:** 2000Vac minimum between each winding for 1 minute
  - Insulation Resistance:** 100MΩ minimum between each winding for 1 minute
  - Additional Information:** Additional electrical & physical information available upon request. Different inductance and current products are available as well
  - Miscellaneous:** RoHS Compliant.
- Samples available. See website for ordering information.