

PHYSICAL DIMENSIONS:

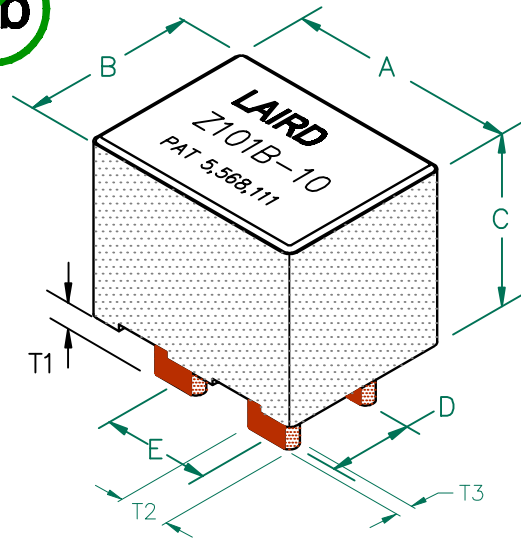
A	13.72 [.540]	+ 0.20 [.008]
B	10.41 [.410]	+ 0.15 [.006]
C	10.52 [.414]	+ 0.25 [.010]
D	5.28 [.208]	+ 0.13 [.005]
E	6.35 [.250]	+ 0.30 [.012]

WIRE DIMENSIONS:

T1	3.05 [.120]	+ 0.33 [.013]
T2	3.07 [.121]	+ 0.05 [.002]
T3	0.97 [.038]	+ 0.05 [.002]

CM5441Z101B-10

UNCONTROLLED DOCUMENT

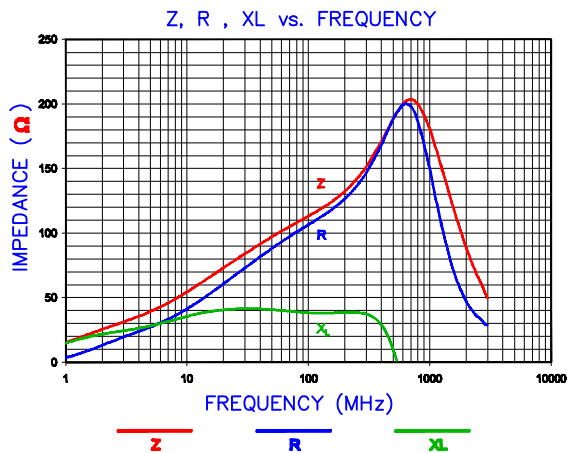
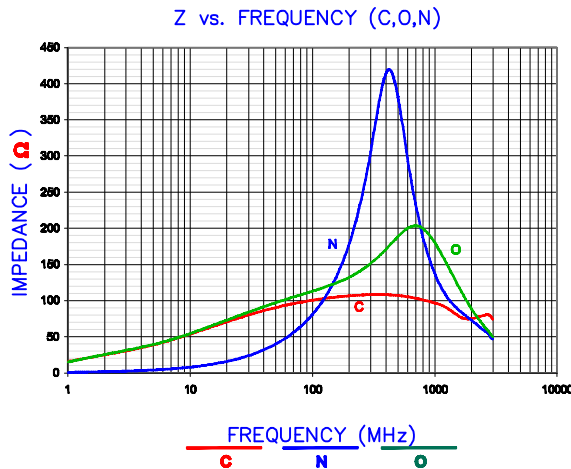


ELECTRICAL CHARACTERISTICS:

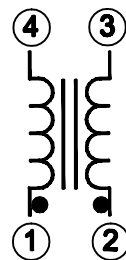
Z @ 100MHz (Ω)	DCR (Ω)	Rated Current
Nominal	100	
Minimum	75	
Maximum	-	.0003 *75,000 mA

NOTES: UNLESS OTHERWISE SPECIFIED

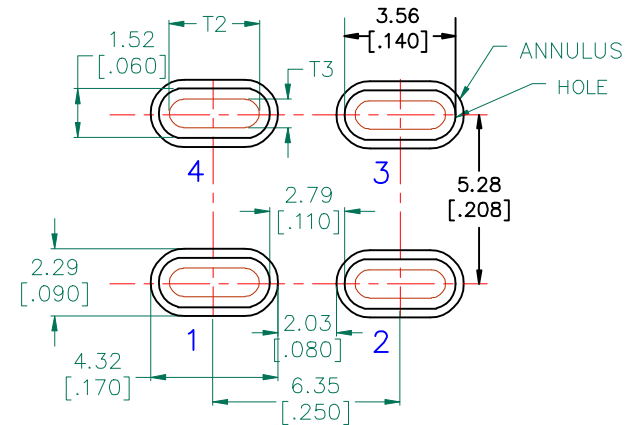
1. BULK PACKED, 825 per CASE.
- 2.* MAXIMUM CURRENT IS:
75,000 mA @ 30° C RISE.
30,000 mA @ 25° C RISE.
3. COMPONENTS SHOULD BE ADEQUATELY PRE-HEATED BEFORE SOLDERING.
4. TERMINATION FINISH IS 100% TIN.
5. THIS PART HAS NO PIN POLARITY.



EQUIVALENT CIRCUIT



HOLE PATTERN FOR WAVE SOLDERING



DIMENSIONS ARE IN mm (INCHES).			This print is the property of Laird Tech. and is loaned in confidence subject to return upon request and with the understanding that no copies shall be made without the written consent of Laird Tech. All rights to design or invention are reserved.	
D	UPDATE TOLERANCE	02/18/13	QIU	
C	UPDATE COMPANY LOGO & KAPTON LABEL ADD EQUIVALENT CIRCUIT	11/18/08	JRK	
B	UPDATE COMPANY LOGO	12/18/07	JRK	
A	ORIGINAL DRAFT	06/09/04	JRK	
REV	DESCRIPTION	DATE	INT	
PROJECT/PART NUMBER:			CM5441Z101B-10 DATE: 06/09/04 SCALE: NTS SHEET: 1 of 2	
REV			PART TYPE: D ASSEMBLY DRAWN BY: JRK TOOL #: H0540-0	