

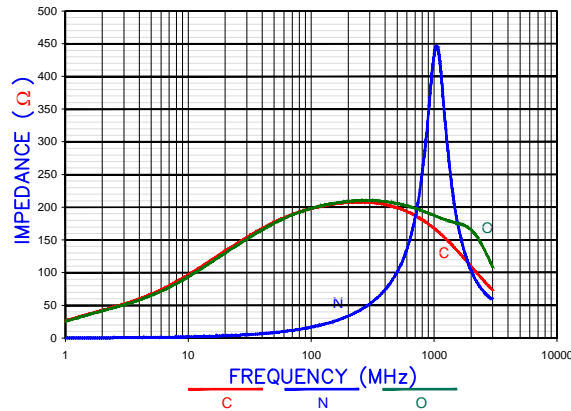
PHYSICAL DIMENSIONS:

A	12.57 [.495]	+ 0.20 [.008]
B	5.72 [.225]	+ 0.10 [.004]
B ₁	6.73 [.265]	MAX
C	9.53 [.375]	+ 0.15 [.006]
C ₁	10.31 [.406]	MAX.
D	2.41 [.095]	+ 0.08 [.003]
E	0.89 [.035]	+ 0.13 [.005]
E ₁	1.91 [.075]	+ 0.13 [.005]

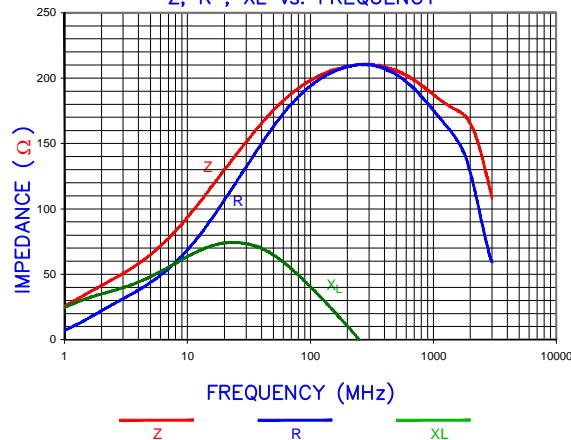
WIRE:

T ₁	1.91 [.075]	+ 0.25 [.010]
T ₂	0.38 [.015]	TYP.
T ₃	0.38 [.015]	TYP.

Z vs. FREQUENCY (C,O,N)



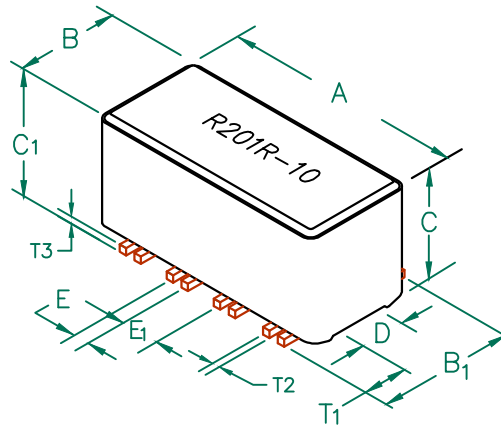
Z, R, XL vs. FREQUENCY



AGILENT E4991A RF Impedance/Material Analyzer
HP 16194A Test Fixture. TEST REF. 3007

CM5022R201R-10

RoHS



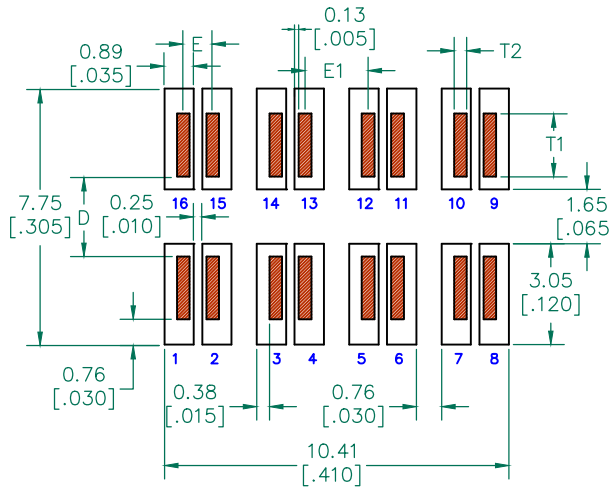
ELECTRICAL CHARACTERISTICS:

	Z @ 100MHz (Ω)	DCR (Ω)	Rated Current
Nominal	200		
Minimum	160		
Maximum	-	0.02	5,000 mA

NOTES: UNLESS OTHERWISE SPECIFIED

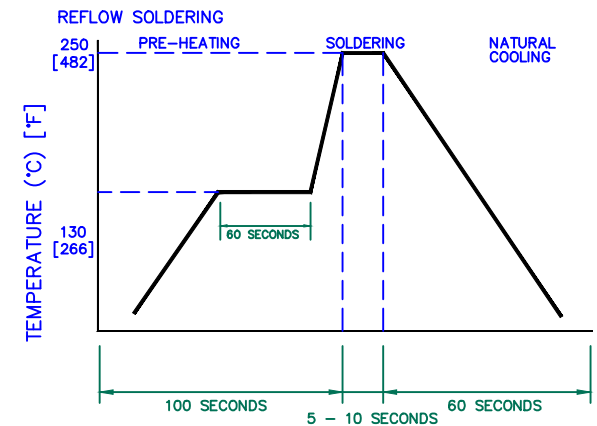
1. TAPED AND REELED per CURRENT EIA SPECIFICATIONS 13" REELS, 375 PCS PER REEL.
2. COMPONENTS SHOULD BE ADEQUATELY PREHEATED BEFORE SOLDERING.
3. REF. CARRIER TAPE SPECIFICATION # CART5022-2P.
4. TERMINATION FINISH IS 100% TIN.
5. THIS PART HAS NO PIN POLARITY.
6. OPERATION TEMPERATURE (INCLUDING SELF-HEATING): -40 ~ +125°C.

LAND PATTERNS FOR REFLOW SOLDERING

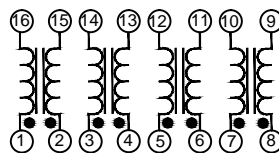


UNCONTROLLED DOCUMENT

RECOMMENDED SOLDERING CONDITIONS



**EQUIVALENT CIRCUIT
NO POLARITY**



DIMENSIONS ARE IN mm (INCHES).

This print is the property of Laird Tech. and is loaned in confidence subject to return upon request and with the understanding that no copies shall be made without the written consent of Laird Tech. All rights to design or invention are reserved.



D		ADD NOTE 6	08/30/12	QIU	PROJECT/PART NUMBER:	REV	PART TYPE:	DRAWN BY:
C		UPDATE COMPANY LOGO ADD EQUIV.CIRC	02/03/09	JRK	CM5022R201R-10	D	ASSEMBLY	JRK
B		UPDATE COMPANY LOGO	12/17/07	JRK	DATE:	06/03/04	SCALE:	NTS
A		ORIGINAL DRAFT	06/03/04	JRK	CAD #		SHEET:	
REV		DESCRIPTION	DATE	INT	CM5022R201R-10-D-1	TOOL #	H0495-2	1 of 2