

Power Common Mode Chokes



ACMP-1264 Series

Request Samples



Check Inventory



12 x 10.8 x 6.4 mm
RoHS/RoHS II Compliant
MSL Level = 1

Features

- Commercial Grade
- PPAP ready and supported
- Excellent impedance characteristics
- Rated current up to 10A
- Extremely Low DCR

Applications

- DC power line common mode noise suppression.
- Switch Mode Power Supplies and regulators
- Variable Frequency Drives
- AC/DC power rectifiers

Electrical Specifications

| Part Number | Impedance (Ω) @100MHz | | DCR (m Ω) | Rated Current (A) | Rated Voltage (Vdc) | Insulation Resistance (M Ω) |
|---------------|--------------------------------|------|-------------------|-------------------|---------------------|-------------------------------------|
| | Min | Typ. | Max | Typ. | Max | Min |
| ACMP-1264-231 | 80 | 230 | 4.0 | 10 | 125 | 10 |
| ACMP-1264-701 | 500 | 700 | 6.0 | 8.0 | 125 | 10 |
| ACMP-1264-801 | 600 | 800 | 8.0 | 8.0 | 125 | 10 |
| ACMP-1264-102 | 750 | 1000 | 14 | 6.0 | 125 | 10 |
| ACMP-1264-132 | 910 | 1300 | 23 | 4.5 | 125 | 10 |
| ACMP-1264-252 | 2200 | 2500 | 35 | 1.8 | 125 | 10 |
| ACMP-1264-272 | 2300 | 2700 | 50 | 1.5 | 125 | 10 |

Rated Current is based on an Irms temperature rise of 40°C

Operating Temperature: -40°C to +125°C (Including self-heating)

Storage (in original packaging): <40°C, <60% RH

ACMP-1264 Series is RoHS Compliant and Pb free

Power Common Mode Chokes



ACMP-1264 Series

Request Samples

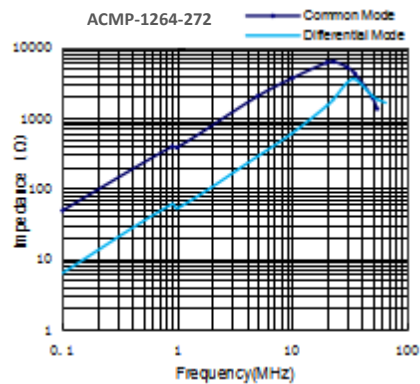
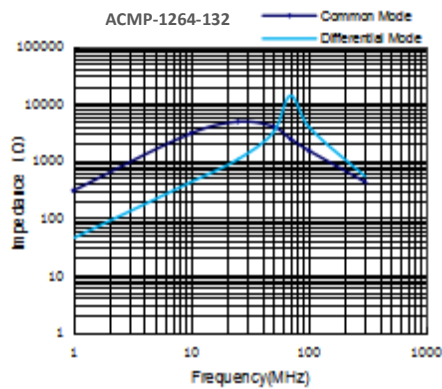
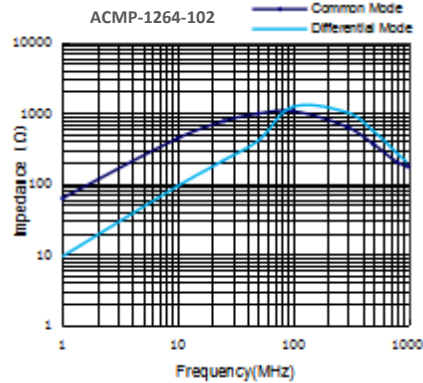
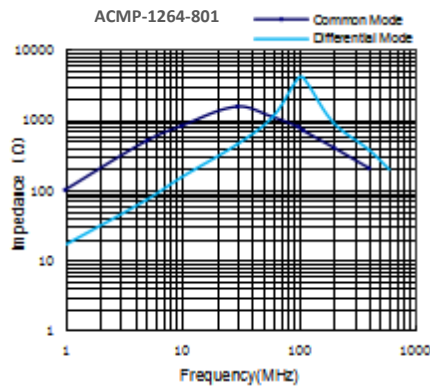
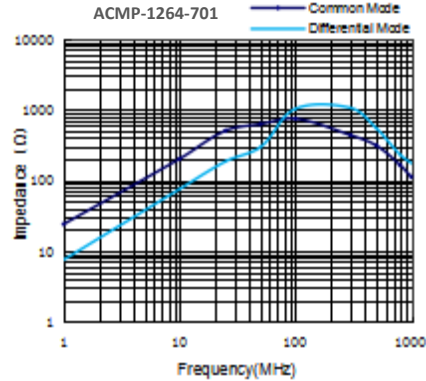
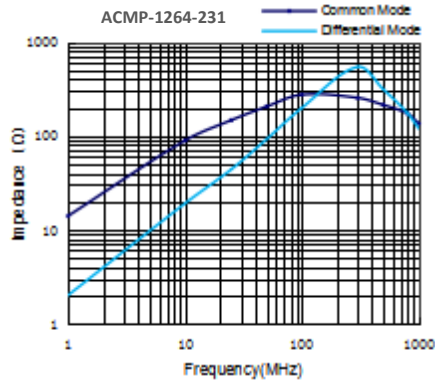


Check Inventory



12 x 10.8 x 6.4 mm
RoHS/RoHS II Compliant
MSL Level = 1

Electrical Specifications (Cont'd)



Power Common Mode Chokes



ACMP-1264 Series

Request Samples

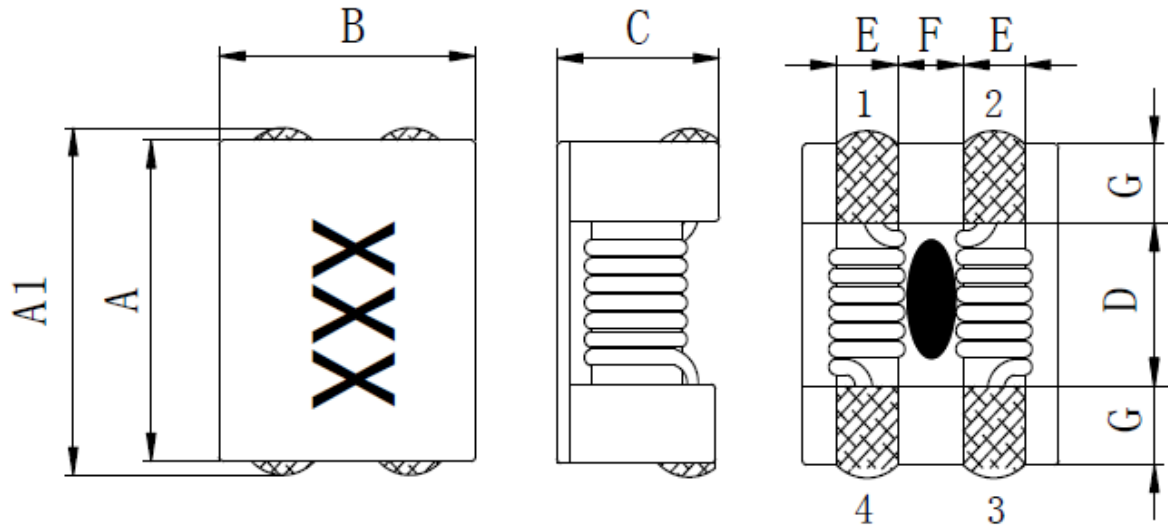


Check Inventory

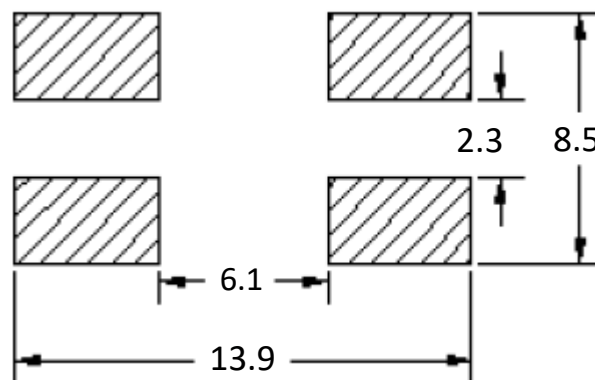


12 x 10.8 x 6.4 mm
RoHS/RoHS II Compliant
 MSL Level = 1

Mechanical Specifications



| A | A1 | B | C | D | E | F | G |
|------------|------------|------------|---------|----------|---------|----------|----------|
| 12.0 ± 0.5 | 12.5 ± 0.6 | 10.8 ± 0.5 | 6.4 MAX | 7.0 Ref. | 2.7 Ref | 2.5 Ref. | 2.5 Ref. |



Recommended Layout

Dimensions: mm

Power Common Mode Chokes



ACMP-1264 Series

Request Samples

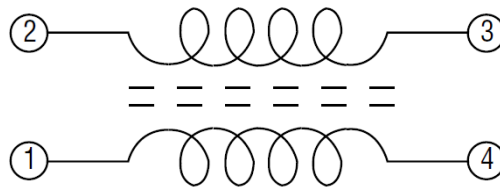


Check Inventory



12 x 10.8 x 6.4 mm
RoHS/RoHS II Compliant
MSL Level = 1

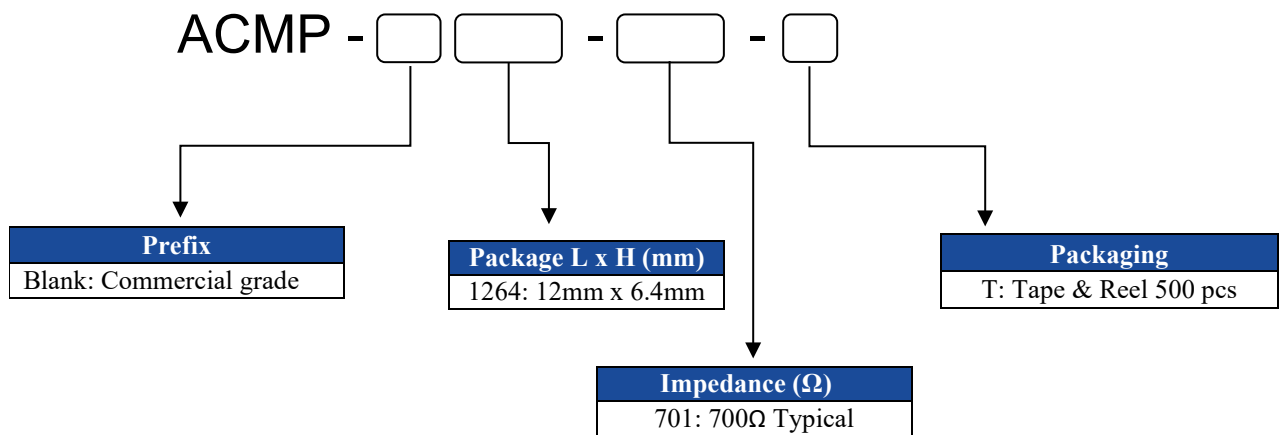
Schematic



Materials

| Description | Specification |
|-------------|----------------------|
| Core | Ferrite core |
| Wire | Enameled copper wire |
| Base | Plastic |
| Adhesive | Epoxy resin |
| Terminal | Sn/Cu |
| Ink | White |

Part Identification



Power Common Mode Chokes



ACMP-1264 Series

Request Samples

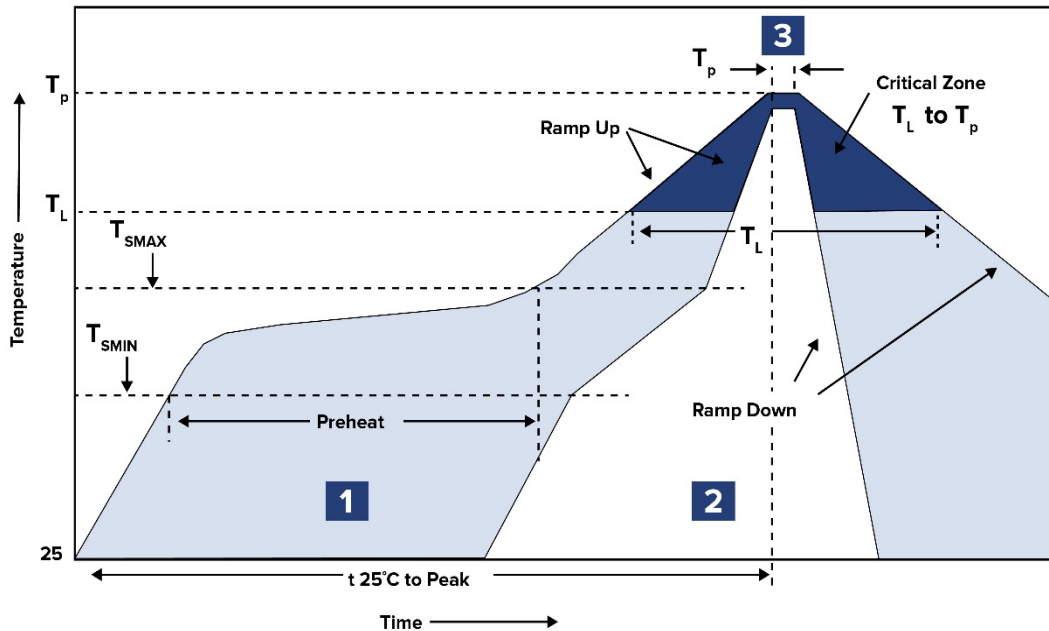


Check Inventory



12 x 10.8 x 6.4 mm
RoHS/RoHS II Compliant
MSL Level = 1

Reflow Profile



| Zone | Description | Temperature | Times |
|------|-------------|---|---------------|
| 1 | Preheat | $T_{SMIN} \sim T_{SMAX}$ 150°C ~ 190°C | 60 ~ 120 sec. |
| 2 | Reflow | T_L 240°C | 20 ~ 40 sec. |
| 3 | Peak heat | T_P 260°C Max. | 5 sec. Max |

1~2 °C/Sec. Ramp

Power Common Mode Chokes



ACMP-1264 Series

Request Samples



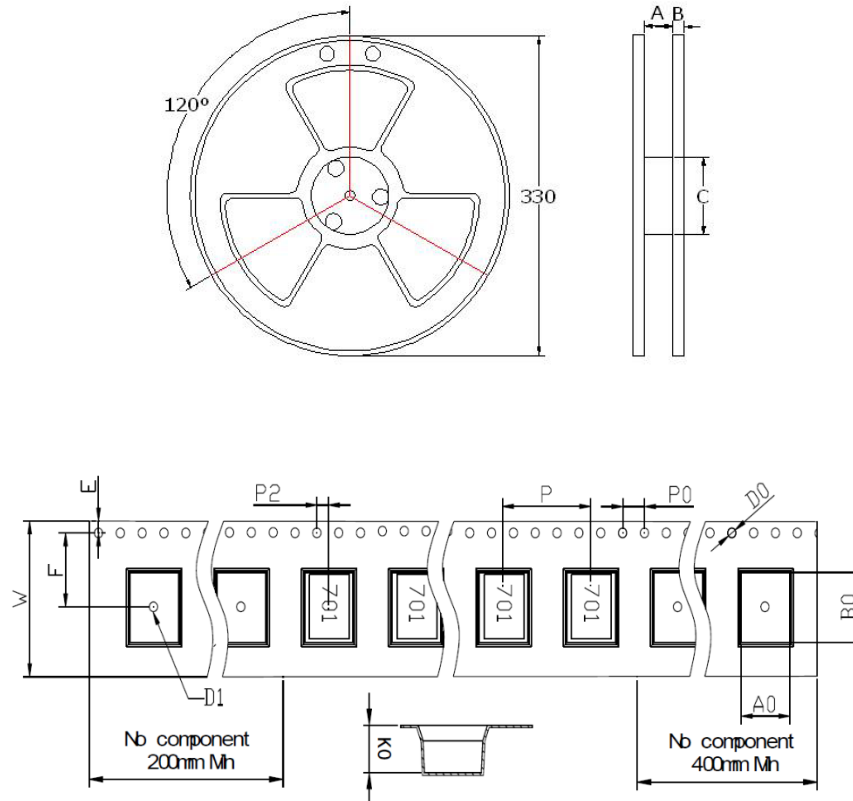
Check Inventory



12 x 10.8 x 6.4 mm
RoHS/RoHS II Compliant
MSL Level = 1

Packing

Tape & Reel: 500pcs/reel



| W | P | P0 | P2 | D0 | E | F | A0 | B0 | K0 |
|-----------|-----------|------------|------------|------------|-------------|-------------|-------------|-------------|------------|
| 24 ± 0.30 | 16 ± 0.10 | 4.0 ± 0.10 | 2.0 ± 0.10 | 1.5 ± 0.10 | 1.75 ± 0.10 | 11.5 ± 0.10 | 11.3 ± 0.10 | 13.0 ± 0.10 | 6.6 ± 0.10 |

Dimensions: mm

ATTENTION: Abracon LLC's products are COTS – Commercial-Off-The-Shelf products; suitable for Commercial, Industrial and, where designated, Automotive Applications. Abracon's products are not specifically designed for Military, Aviation, Aerospace, Life-dependent Medical applications or any application requiring high reliability where component failure could result in loss of life and/or property. For applications requiring high reliability and/or presenting an extreme operating environment, written consent and authorization from Abracon LLC is required. Please contact Abracon LLC for more information.



5101 Hidden Creek Ln Spicewood TX 78669
 Phone: 512-371-6159 | Fax: 512-351-8858
 For terms and conditions of sales, please visit:
www.abracon.com

REVISION: IR 06-29-22

ABRACON IS
 ISO9001-2015
 CERTIFIED