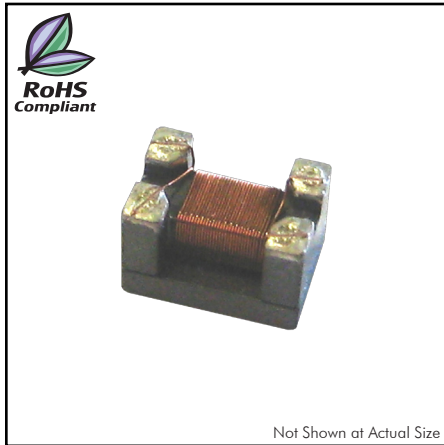


## CTDLW43SF Series

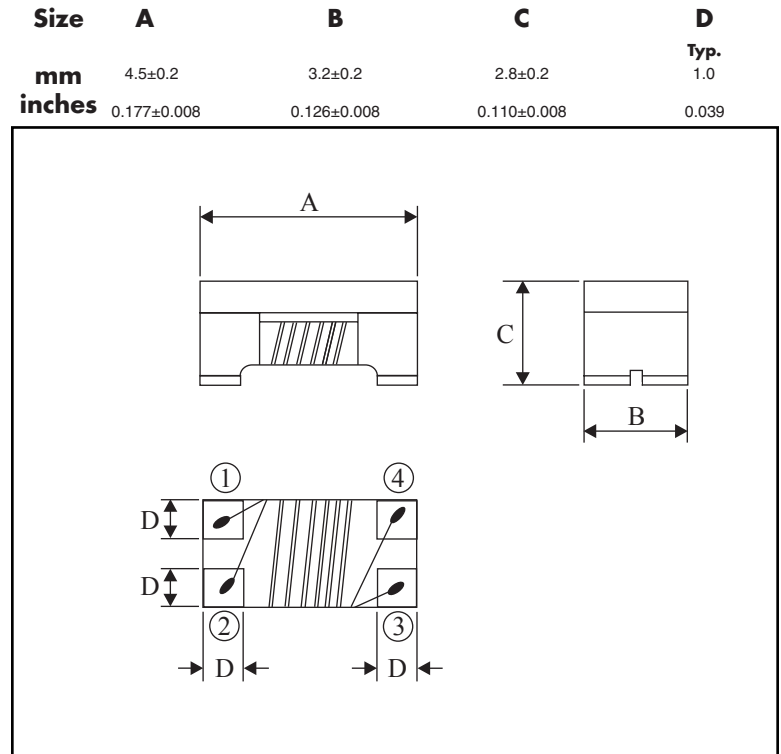
From 11µH to 100µH

### SPECIFICATIONS

Part Number	Common Mode Ind. at 100kHz (µH)	Tolerance (%)	Common Mode Imp. at 10MHz (Ω) Typ.	DCR Max (Ω)	Idc Max (mA)
CTDLW43SF-110Y	11	+50/-30	600	0.6	250
CTDLW43SF-220Y	22	+50/-30	1200	1.0	200
CTDLW43SF-510Y	51	+50/-30	2800	1.0	200
CTDLW43SF-101Y	100	+50/-30	5800	2.0	150



### PHYSICAL DIMENSIONS



### CHARACTERISTICS

**Description:** SMD wire-wound common mode chip inductors

**Applications:** EMI suppression for Data and signal lines, CANbus, Telecom devices, Consumer electronics, etc.

**Operating Temperature:** -40°C to +125°C

**Rated Voltage:** 50 VDC

**Insulation Resistance:** 10 MΩ Min.

**Withstand Voltage:** 125 VDC

**Inductance Tolerance:** +50%/-30%

**Testing:** Inductance is tested on an HP4285A at 100kHz

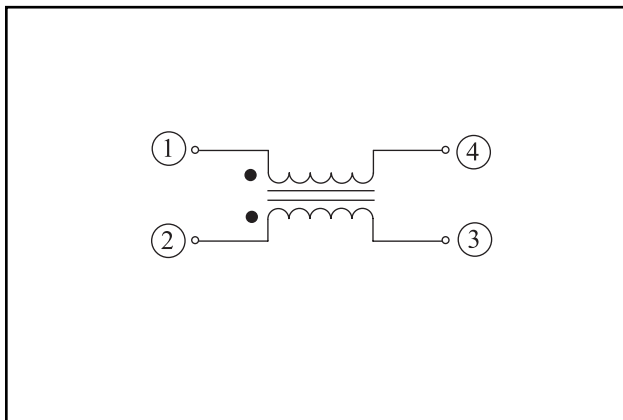
**Packaging:** Tape & Reel.

**Miscellaneous:** **RoHS Compliant.**

**Additional Information:** Additional electrical & physical information available upon request.

**Samples available. See website for ordering information.**

### EQUIVALENT CIRCUIT



### PAD LAYOUT

