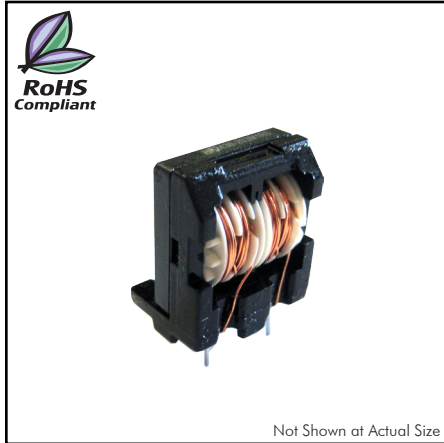


## CTHF2430F Series

From 2.4mH to 68mH

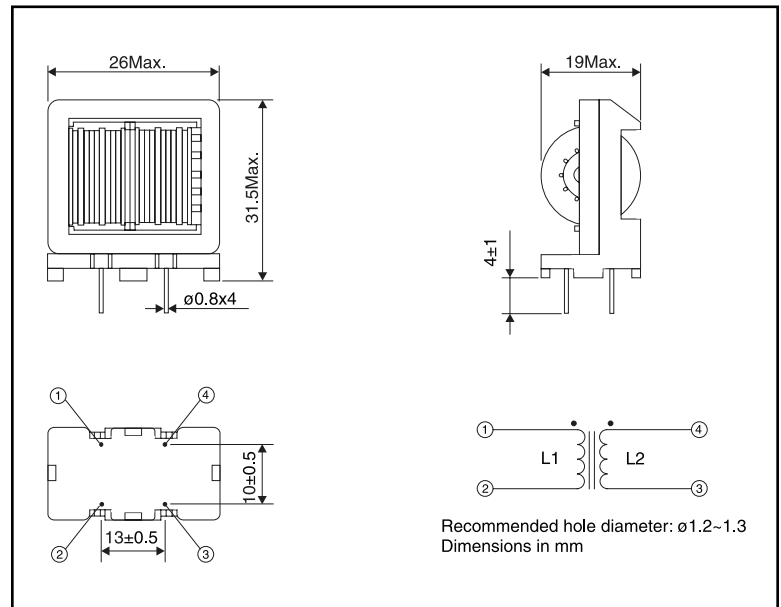


### SPECIFICATIONS

\*Indicates the inductance difference between the coil L1 and L2

Part Number	Inductance (Min.) (mH)	Inductance *Difference (μH Max.)	DCR Max. (Ω)	Rated Iac Current (Max.) (A)
CTHF2430F-683M0R4	68	700	2.30	0.4
CTHF2430F-453M0R5	45	600	1.65	0.5
CTHF2430F-333M0R6	33	500	1.20	0.6
CTHF2430F-253M0R8	25	400	0.88	0.8
CTHF2430F-203M1R0	20	350	0.64	1.0
CTHF2430F-103M1R2	10	250	0.38	1.2
CTHF2430F-452M1R5	4.5	150	0.19	1.5
CTHF2430F-392M1R8	3.9	150	0.15	1.8
CTHF2430F-332M2R0	3.3	100	0.11	2.0
CTHF2430F-242M2R5	2.4	90	0.09	2.5

### PHYSICAL DIMENSIONS



### CHARACTERISTICS

- Description:** Common mode choke coils
  - Applications:** For AC power supply/compact, separable bobbin
  - Rated Voltage:** 250Vac
  - Operating Temperature Range:** -20°C to +105°C including self temperature rise
  - Temperature Rise:** 45°C maximum each line
  - Dielectric Withstanding Voltage:** 2000Vac between each winding for 1 minute
  - Insulation Resistance:** 100Mohm minimum between each winding for 1 minute
  - Additional information:** Additional electrical & physical information available upon request. Different inductance and current products rare available as well
  - Miscellaneous:** RoHS Compliant
- Samples available. See website for ordering information.