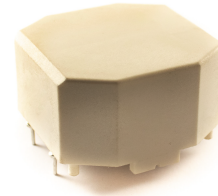




COMMON MODE CHOKE

HCMC4343-272N

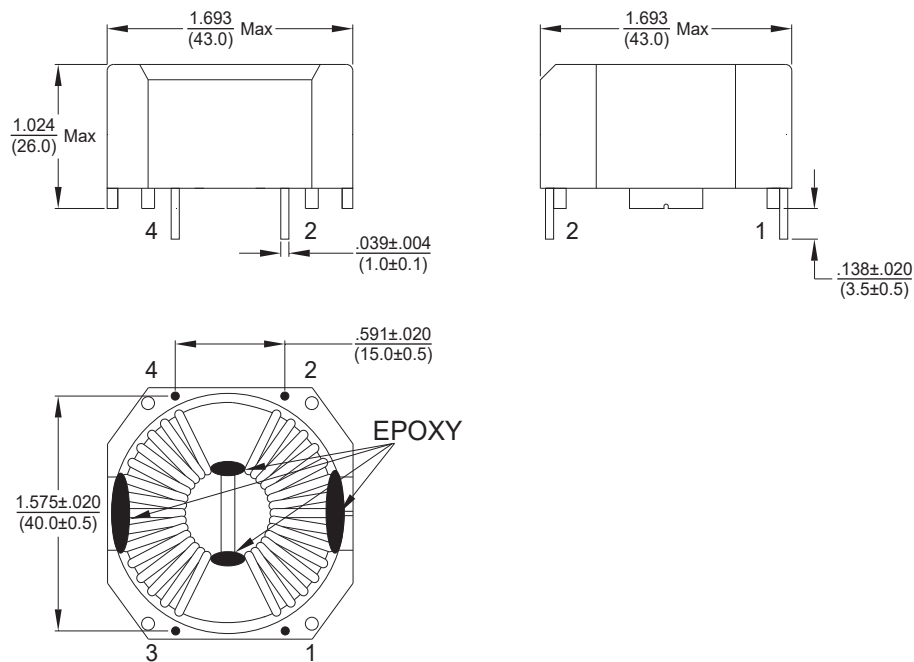
- Encased for Added Protection and Stable Mounting
- High Current Capability
- Excellent EMI Suppression
- Fixed Pins for easy PCB Insertion
- Operating Temp Range: -40°C to +85°C



Electrical Specifications @25°C				
Inductance (mH) N1=N2	Inductance Tolerance	Test Frequency KHz, 0.1V	DCR (mΩ) Max	Hi-Pot VAC / 5mA / 60Sec Coil - Coil
2.7	±30%	10	22	1500

MECHANICAL

Dimensions:  $\frac{\text{inch}}{\text{mm}}$



SCHEMATIC

