



# Automotive Signal Common Mode Chokes

ACMS-Q6527E

Request Samples



Check Inventory



6.5 x 4.5 x 2.7 mm  
RoHS/RoHS II Compliant  
MSL Level = 1

## Features

- AEC-Q200 compliant, Grade 1
- PPAP ready and supported
- Manufactured in TS/IATF 16949 production lines
- Excellent impedance characteristics

## Applications

- Differential signal line common mode noise suppression.
- Multimedia devices
- Automotive applications such as ADAS, Infotainment, Sensing, TCU
- Automotive Ethernet

## Electrical Specifications

Part Number	Inductance (μH)	Rated Current (A)	DCR (Ω)	Insertion loss (dB) Max		Return Loss (dB) Min		
	Typ.	Max	Max	100 MHz	1-60 MHz	1-10 MHz	30 MHz	60 MHz
ACMS-Q6527E-101	100	0.35	2.0	-3.0	-1.0	-28	-23	-18
	Common Mode Rejection (dB) Min				Differential to Common Mode Rejection (dB) Min			
	1 MHz	10 MHz	60-100 MHz	200-1000 MHz	1-10 MHz	100 MHz	1000 MHz	
	-18	-35	-43	-30	-70	-50	-25	

**Rated Current is based on an Irms temperature rise of 40°C**

**Inductance Test Condition: 0.1V/100KHz**

**ACMS-Q6527E is AEC-Q200 Automotive certified**

**ACMS-Q6527E Series is RoHS Compliant and Pb free**

**Operating Temperature: -40°C to +125°C (Including self-heating)**

**Storage Temperature (on PCB): -40°C to +125°C**

**Storage (in original packaging): <40°C, <60% RH**



5101 Hidden Creek Ln, Spicewood TX 78669  
Phone: 512-371-6159 Fax: 512-351-8858  
For terms and conditions of sales, please visit:  
www.abracon.com

**REVISION Initial Release**  
3/30/2022

ABRACON IS  
ISO9001-2015  
CERTIFIED



# Automotive Signal Common Mode Chokes

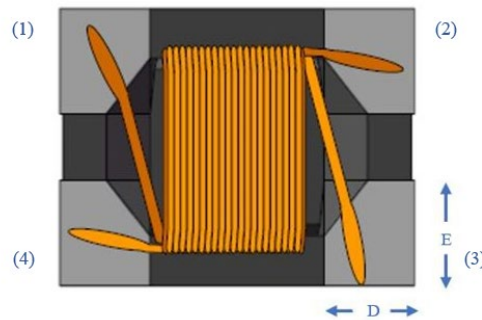
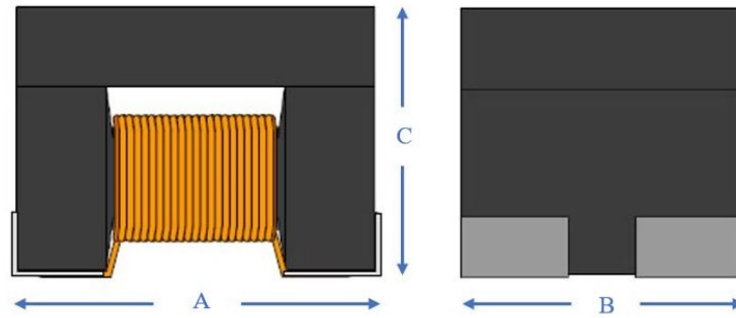
ACMS-Q6527E

Request Samples

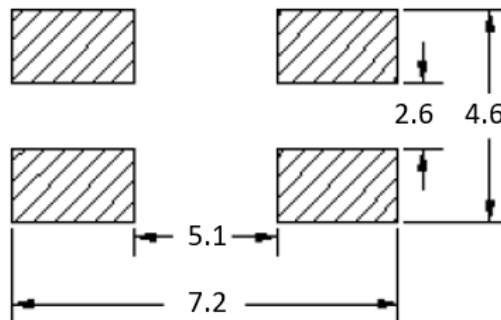
Check Inventory

6.5 x 4.5 x 2.7 mm  
**RoHS/RoHS II Compliant**  
 MSL Level = 1

## Mechanical Specifications



A	B	C	D	E
6.5 ±0.3	4.5 ±0.2	2.7 ±0.2	0.88 ±0.2	0.9 ±0.2



## Recommended Layout

Dimensions: mm



5101 Hidden Creek Ln, Spicewood TX 78669  
 Phone: 512-371-6159 Fax: 512-351-8858  
 For terms and conditions of sales, please visit:  
[www.abracon.com](http://www.abracon.com)

**REVISION Initial Release**  
 3/30/2022

ABRACON IS  
 ISO9001-2015  
 CERTIFIED



# Automotive Signal Common Mode Chokes

ACMS-Q6527E

Request Samples

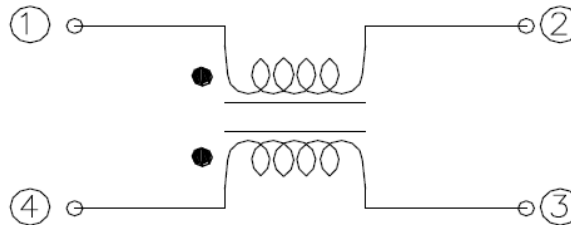


Check Inventory

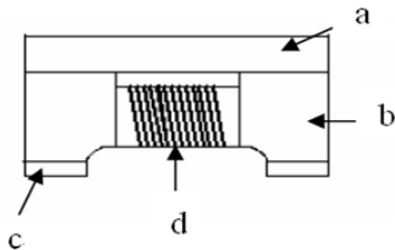


6.5 x 4.5 x 2.7 mm  
**RoHS/RoHS II Compliant**  
 MSL Level = 1

## Schematic

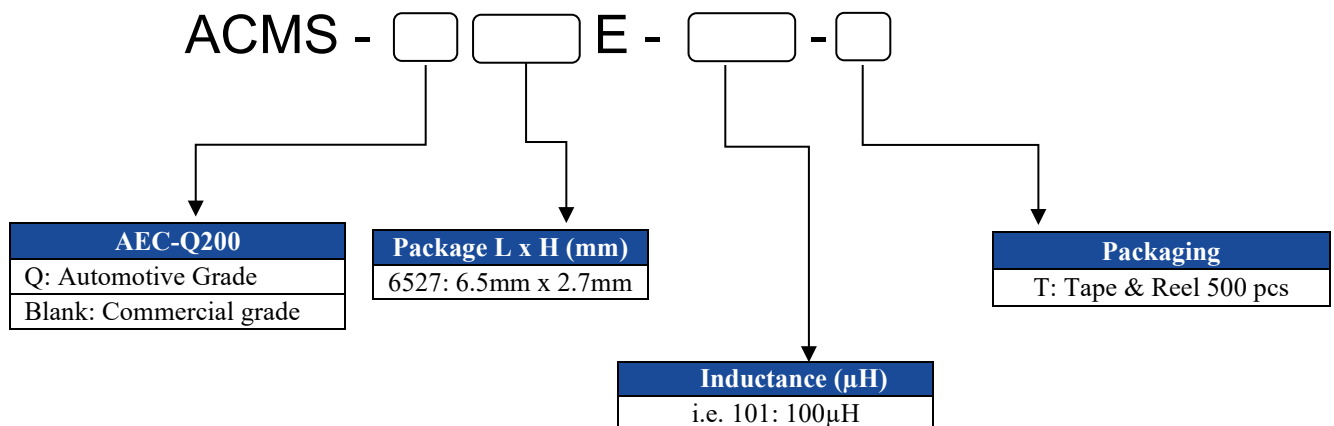


## Materials



	Description	Specification
a	Upper Plate	Ferrite
b	Core	Ferrite Core
c	Electrode	Ag/Ni/Sn
d	Wire	Enameled Copper Wire

## Part Identification





# Automotive Signal Common Mode Chokes

ACMS-Q6527E

Request Samples

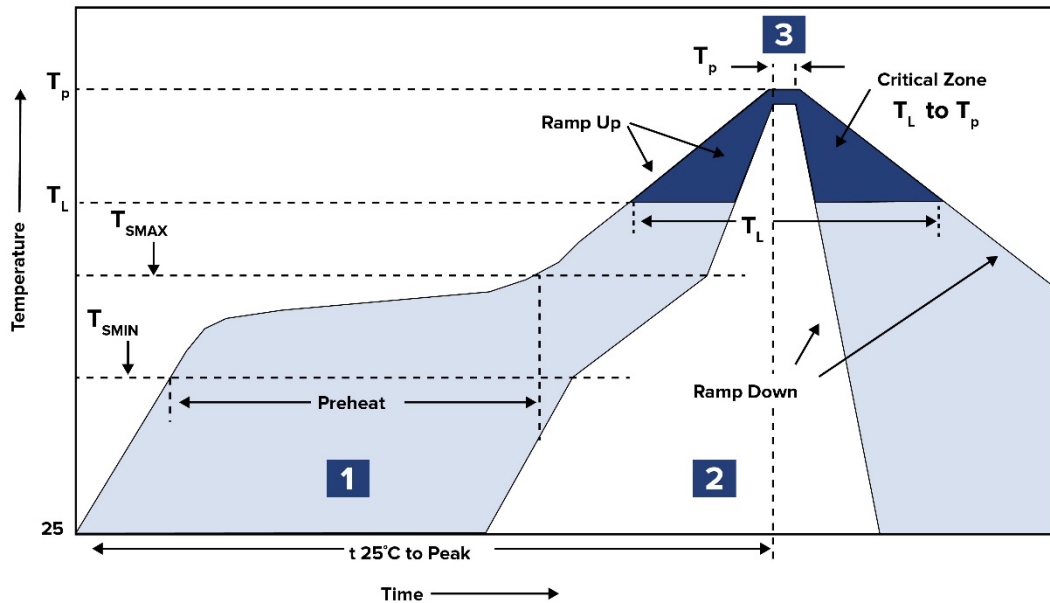


Check Inventory



6.5 x 4.5 x 2.7 mm  
 RoHS/RoHS II Compliant  
 MSL Level = 1

## Reflow Profile



Zone	Description	Temperature	Times
1	Preheat	$T_{SMIN} \sim T_{SMAX}$ 150°C ~ 200°C	60 ~ 180 sec.
2	Reflow	$T_L$ 217°C	60 ~ 150 sec.
3	Peak heat	$T_p$ 250°C ±5°C	10 sec. MAX



# Automotive Signal Common Mode Chokes

**ACMS-Q6527E**

Request Samples



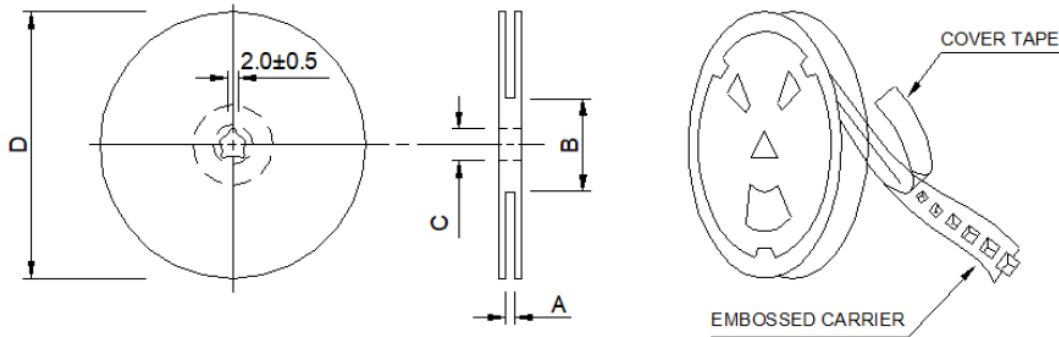
Check Inventory



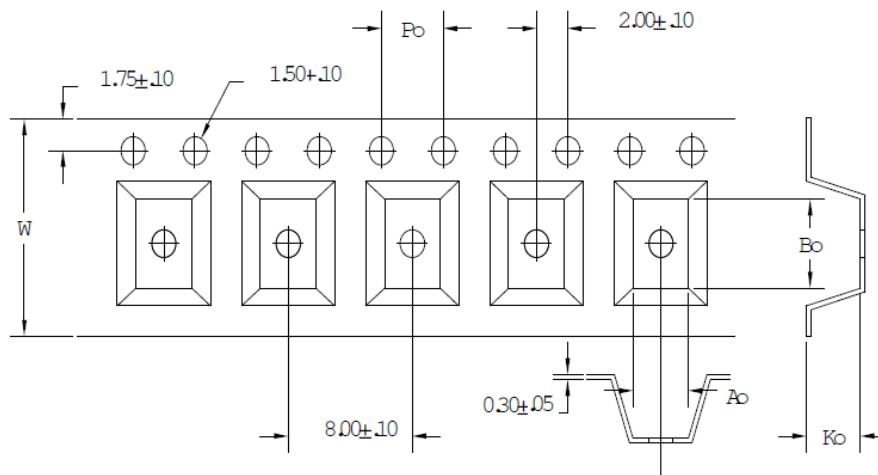
6.5 x 4.5 x 2.7 mm  
**RoHS/RoHS II Compliant**  
 MSL Level = 1

## Packaging

**Tape & Reel: 500pcs/reel**



Series	A	B	C	D
ACMS-Q6527E	$16.7 \pm 0.5$	$60.0 \pm 2.0$	$13.5 \pm 0.5$	$178 \pm 2.0$



W	P0	Bo	Ao	Ko
16.0 $\pm 0.30$	4.0 $\pm 0.10$	6.9 $\pm 0.10$	4.9 $\pm 0.10$	2.9 $\pm 0.10$

Dimensions: mm

**ATTENTION:** Abracon LLC's products are COTS – Commercial-Off-The-Shelf products; suitable for Commercial, Industrial and, where designated, Automotive Applications. Abracon's products are not specifically designed for Military, Aviation, Aerospace, Life-dependent Medical applications or any application requiring high reliability where component failure could result in loss of life and/or property. For applications requiring high reliability and/or presenting an extreme operating environment, written consent and authorization from Abracon LLC is required. Please contact Abracon LLC for more information.



5101 Hidden Creek Ln, Spicewood TX 78669  
 Phone: 512-371-6159 Fax: 512-351-8858  
 For terms and conditions of sales, please visit:  
[www.abracon.com](http://www.abracon.com)

**REVISION Initial Release**  
 3/30/2022

ABRACON IS  
 ISO9001-2015  
 CERTIFIED