

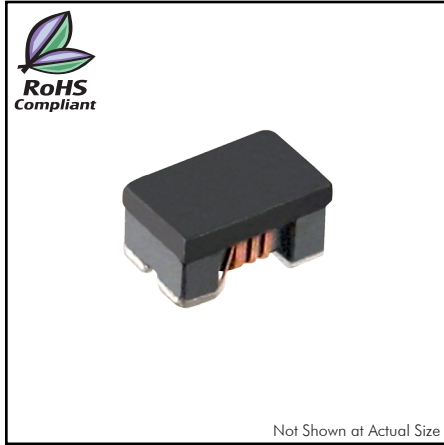
## CTCM01F Series

From 60 Ω to 160 Ω

### SPECIFICATIONS

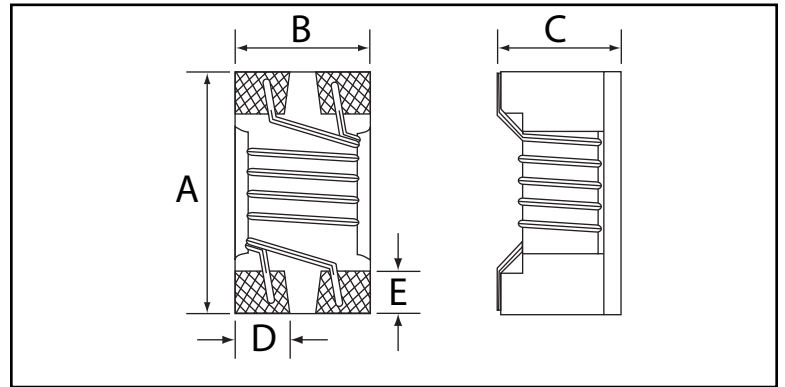
Impedance tolerance ±20%

Part Number	Impedance (Ω)	Test Freq. (MHz)	IDC Max. (mA)	Rated Voltage (VDC)	DCR Max. (Ω)	Insulation Resistance Min. (MΩ)
CTCM01F-600M	60	100	300	50	0.40	100
CTCM01F-670M	67	100	300	50	0.25	100
CTCM01F-900M	90	100	250	50	0.30	100
CTCM01F-121M	120	100	200	50	0.40	100
CTCM01F-161M	160	100	160	50	0.43	100



### PHYSICAL DIMENSIONS

Size	A	B	C	D	E
mm	1.25±0.2	1.00±0.2	0.8±0.1	0.32	0.33
inches	0.050±0.008	0.04±0.008	0.031±0.004	0.0126	0.013



### CHARACTERISTICS

**Description:** SMD Common Mode Choke.

**Applications:** USB line for personal computers and peripherals, IEEE 1394 line for personal computers, DVC, STB, LVDS, panel line for liquid display panels, graph card, etc.

**Operating Temperature:** -40°C to +105°C (includes self-temp. rise)

**Impedance Tolerance:** ±20%

**Testing:** Impedance is tested on an HP4287A at 100MHz.

**Packaging:** Tape & Reel.

**Miscellaneous:** **RoHS Compliant.** Other values available.

**Additional Information:** Additional electrical & physical information available upon request.

**Samples available. See website for ordering information.**

### PAD LAYOUT

