

PHYSICAL DIMENSIONS:

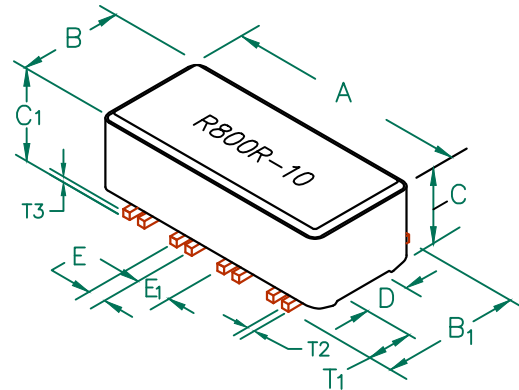
A	12.57	[.495]	± 0.20	[.008]
B	5.72	[.225]	± 0.10	[.004]
B ₁	6.73	[.265]		MAX
C	4.32	[.170]	± 0.08	[.003]
C ₁	5.00	[.197]		MAX.
D	2.41	[.095]	± 0.08	[.003]
E	0.89	[.035]	± 0.13	[.005]
E ₁	1.91	[.075]	± 0.13	[.005]

WIRE:

T ₁	1.91	[.075]	± 0.25	[.010]
T ₂	0.38	[.015]		TYP.
T ₃	0.38	[.015]		TYP.

CM5022R800R-10

UNCONTROLLED DOCUMENT



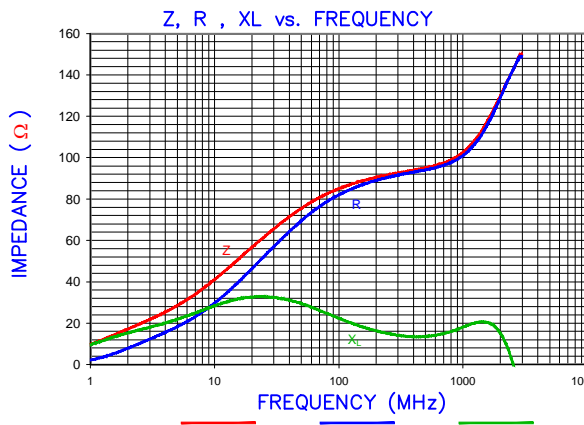
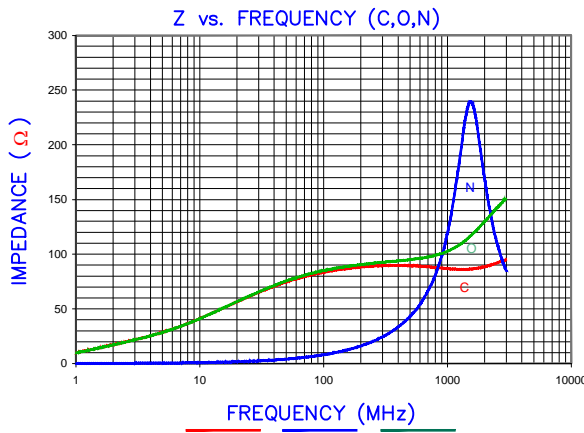
ELECTRICAL CHARACTERISTICS:

Z @ 100MHz (Ω)	DCR (Ω)	Rated Current
Nominal	80	
Minimum	64	
Maximum	-	0.02
		5,000 mA

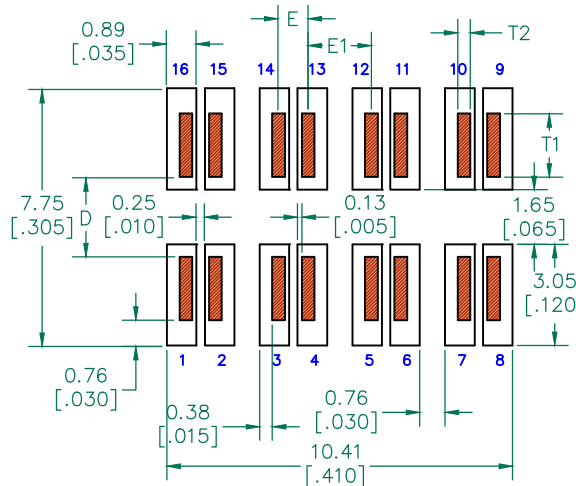
NOTES: UNLESS OTHERWISE SPECIFIED

1. TAPED AND REELED per CURRENT EIA SPECIFICATIONS 13" REELS, 1000 PCS PER REEL.
2. COMPONENTS SHOULD BE ADEQUATELY PREHEATED BEFORE SOLDERING.
3. REF. CARRIER TAPE SPECIFICATION # CART5022-0P.
4. TERMINATION FINISH IS 100% TIN.
5. THIS PART HAS NO PIN POLARITY.
6. OPERATION TEMPERATURE (INCLUDING SELF-HEATING): -40 ~ +125°C.

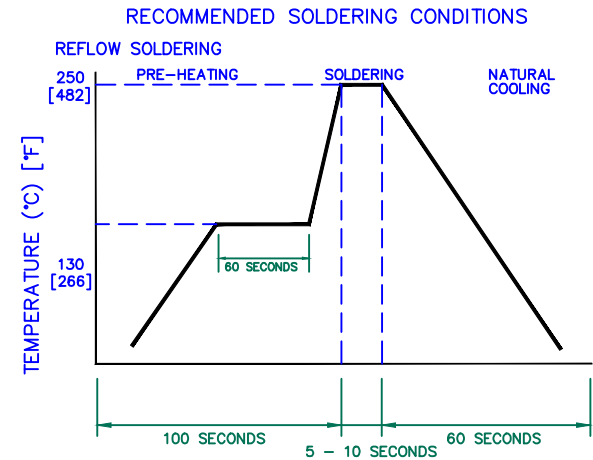
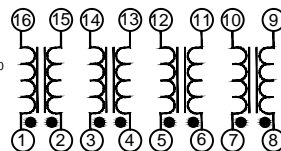
RoHS



LAND PATTERNS FOR REFLOW SOLDERING



EQUIVALENT CIRCUIT NO POLARITY



DIMENSIONS ARE IN mm (INCHES).			This print is the property of Laird Tech. and is loaned in confidence subject to return upon request and with the understanding that no copies shall be made without the written consent of Laird Tech. All rights to design or invention are reserved.		
D	ADD NOTE 6	08/30/12	QIU	PROJECT/PART NUMBER:	REV D
C	UPDATE COMPANY LOGO ADD EQUIVALENT CIRCUIT	02/03/09	JRK	CM5022R800R-10	PART TYPE: ASSEMBLY
B	UPDATE COMPANY LOGO	12/19/07	JRK	DATE: 08/02/04	DRAWN BY: JRK
A	ORIGINAL DRAFT	08/02/04	JRK	SCALE: NTS	SHEET: 1 of 2
REV	DESCRIPTION	DATE	INT	CAD #	TOOL #
				CM5022R800R-10-D-1	H0495-0

