

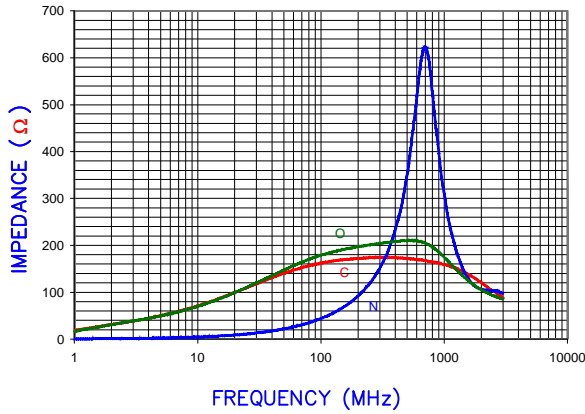
**PHYSICAL DIMENSIONS:**

|    |              |       |             |
|----|--------------|-------|-------------|
| A  | 6.30 [.248]  | $\pm$ | 0.10 [.004] |
| B  | 11.38 [.448] | $\pm$ | 0.18 [.007] |
| B1 | 14.10 [.555] |       | MAX         |
| C  | 9.32 [.367]  | $\pm$ | 0.18 [.007] |
| C1 | 10.16 [.400] |       | MAX         |
| D  | 7.62 [.300]  | $\pm$ | 0.10 [.004] |
| E  | 2.54 [.100]  | $\pm$ | 0.13 [.005] |

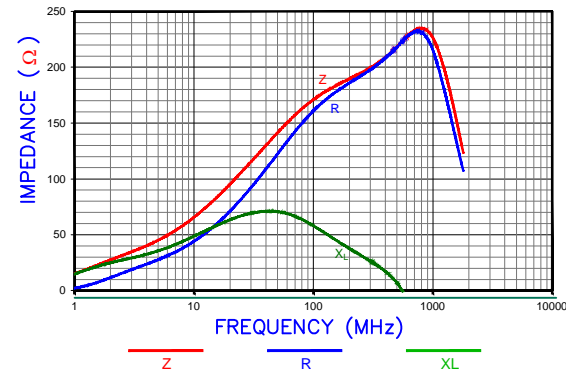
**WIRE DIMENSIONS:**

|    |             |       |             |
|----|-------------|-------|-------------|
| T1 | 2.90 [.114] | $\pm$ | 0.25 [.010] |
| T2 | 0.84 [.033] |       | TYP.        |
| T3 | 0.46 [.018] |       | TYP.        |

Z vs. FREQUENCY (C,O,N)

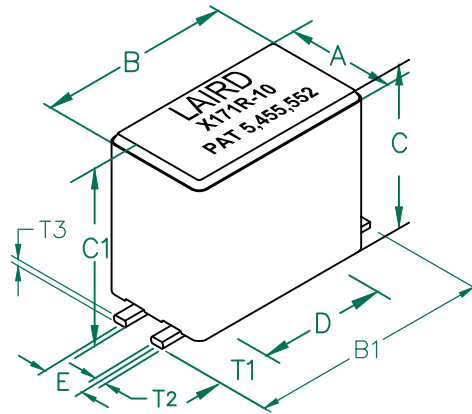


FREQUENCY (MHz)  
Z, R, XL vs. FREQUENCY



# CM2545X171R-10

**UNCONTROLLED DOCUMENT**



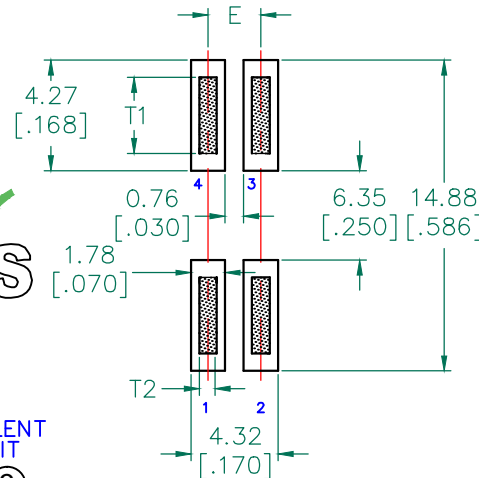
**ELECTRICAL CHARACTERISTICS:**

| Z @ 100MHz (Ω) | DCR (Ω) | Rated Current | Rated Voltage (VDC) |
|----------------|---------|---------------|---------------------|
| Nominal        | 170     |               |                     |
| Minimum        | 128     |               |                     |
| Maximum        | -       | 0.01          | 10,000 mA           |
|                |         |               | 140                 |

NOTES: UNLESS OTHERWISE SPECIFIED

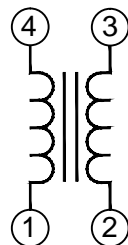
1. TAPED AND REELED per CURRENT EIA SPECIFICATIONS 13" REELS, 400 PCS/REEL.
2. COMPONENTS SHOULD BE ADEQUATELY PREHEATED BEFORE SOLDERING.
3. REF. CARRIER TAPE SPEC. # CART249-63.
4. TERMINATION FINISH IS 100% TIN.
5. THIS PART HAS NO PIN POLARITY.
6. OPERATION TEMPERATURE (INCLUDING SELF-HEATING): -40 ~ +125°C.

**LAND PATTERN FOR REFLOW SOLDERING**

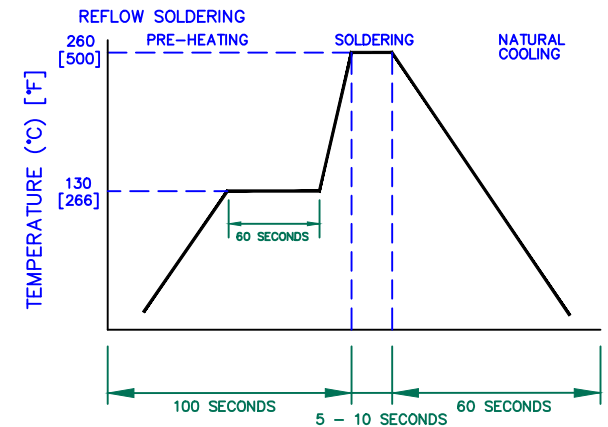


**RoHS**

**EQUIVALENT CIRCUIT**



**RECOMMENDED SOLDERING CONDITIONS**



**DIMENSIONS ARE IN mm [INCHES]**

| REV | DESCRIPTION  | DATE     | JRK |
|-----|--|----------|-----|
| F   | ADD NOTE 6   | 08/30/12 | QIU |
| E   | UPDATE THE SOLDERING TEMPERATURE                               | 03/24/11 | JUN |
| D   | ADD C1 IN CONFIGURATION  | 12/02/09 | JUN |
| C   | UPDATE COMPANY LOGO UPDATE ROHS SYMBOL AND KAPTON LABEL ADD EC | 11/05/08 | JRK |
| B   | UPDATE COMPANY LOGO  | 05/18/07 | JRK |
| A   | ORIGINAL DRAFT   | 5/26/04  | JRK |

This print is the property of Laird Tech. and is loaned in confidence subject to return upon request and with the understanding that no copies shall be made without the written consent of Laird Tech. All rights to design or invention are reserved.



|   |                     |                         |
|---|---------------------|-------------------------|
| PROJECT/PART NUMBER:<br><b>CM2545X171R-10</b> | REV<br><b>F</b>     | DRAWN BY:<br><b>JRK</b> |
| DATE:<br>5/26/04                              | SCALE:<br>NTS       | SHEET:<br><b>1 of 2</b> |
| CAD #<br>CM2545X171R-10-F-1                   | TOOL #<br>H0249-600 |                         |