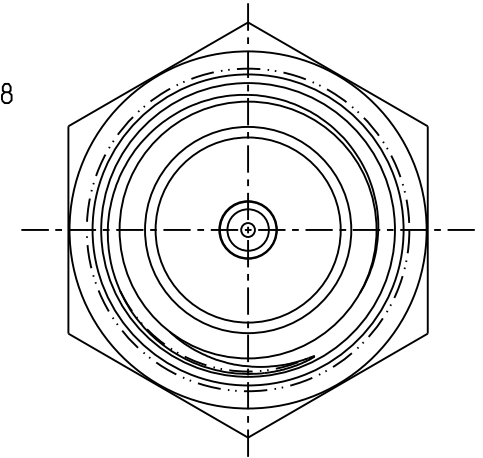


SMA PLUG
PER MIL-STD-348
FIGURE 310-1



NOTES: UNLESS OTHERWISE SPECIFIED.

1. MATERIAL & FINISH:

- 1.1 BODY, COUPLING NUT & END PLUG: PASSIVATED STAINLESS STEEL
- 1.2 DIELECTRIC: PTFE (TEFLON)
- 1.3 CENTER CONTACT: GOLD PLATED BERYLLIUM COPPER
- 1.4 GASKET: SILICONE RUBBER

2. ELECTRICAL SPECIFICATIONS:

- 2.1 FREQUENCY RANGE: DC TO 26.5 GHz
- 2.2 INPUT POWER (MAX):
2 WATTS AT 25°C
1 WATT AT 125°C
- 2.3 VSWR (MAX):
DC TO 18.0 GHz: 1.05+0.008f(GHz)
18.0 TO 26.5 GHz: 1.30:1
- 2.4 IMPEDANCE: 50 OHMS NOMINAL
- 2.5 TEMPERATURE RANGE: -65°C TO 125°C

3. WEIGHT (MAX): .12 OZ (3.4 GRAMS)

		MIDWEST MICROWAVE	
	RoHS2 <input checked="" type="checkbox"/> 2011/65/EU	TERMINATION	
<small>NOTICE: The information in this drawing is PROPRIETARY and must not be used without the permission of Cinch Connectivity Solutions. It may contain data whose export is restricted. Verify status prior to exporting.</small>		<small>Model No.</small>	TRM-2054-M0-SMA-02
<small>UNLESS OTHERWISE SPECIFIED UNITS: INCH</small>	<small>Size</small>	<small>DO NOT SCALE DRAWING</small>	<small>Date</small> 9/9/2021 <small>Sheet</small> 1 OF 1
<small>INTERPRET DRAWING IN ACCORDANCE WITH ASME Y14.5-2018</small>	<small>ANGLES</small> $\pm 2^\circ$		