

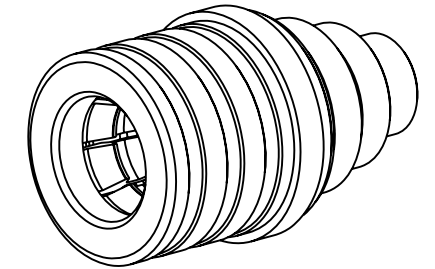
NOTES:

1. MATERIALS AND FINISHES(PLATING THICKNESS IN MICRO-INCHES):
 BODY - BRASS, NICKEL PLATING
 CONTACT - PHOSPHOR BRONZE, GOLD PLATING
 INSULATOR - PTFE
 RESISTOR - NICHROME RESISTOR WITH BeO SUBSTRATE.
2. ELECTRICAL:
 A. IMPEDANCE: 50 OHM
 B. FREQUENCY RANGE: DC - 6.0 GHz
 C. VSWR(RETURN LOSS):
 DC-3 GHz 1.10 (-26.44 dB), MAX.
 3-6 GHz 1.15 (-23.13 dB), MAX.
 D. AVG. POWER: 2 WATT (POWER DERATED LINEARLY FROM 20°C TO 1 WATTS AT 125°C)
 E. PEAK POWER: 200 WATTS (PEAK POWER FOR A 1% DUTY CYCLE OF 0.0005 MAXIMUM PULSE DURATION OF 5 MICROSECONDS)
3. MECHANICAL:
 A. DURABILITY: 100 CYCLES MIN.
 B. TEMPERATURE RANGE: -55° C TO +125° C

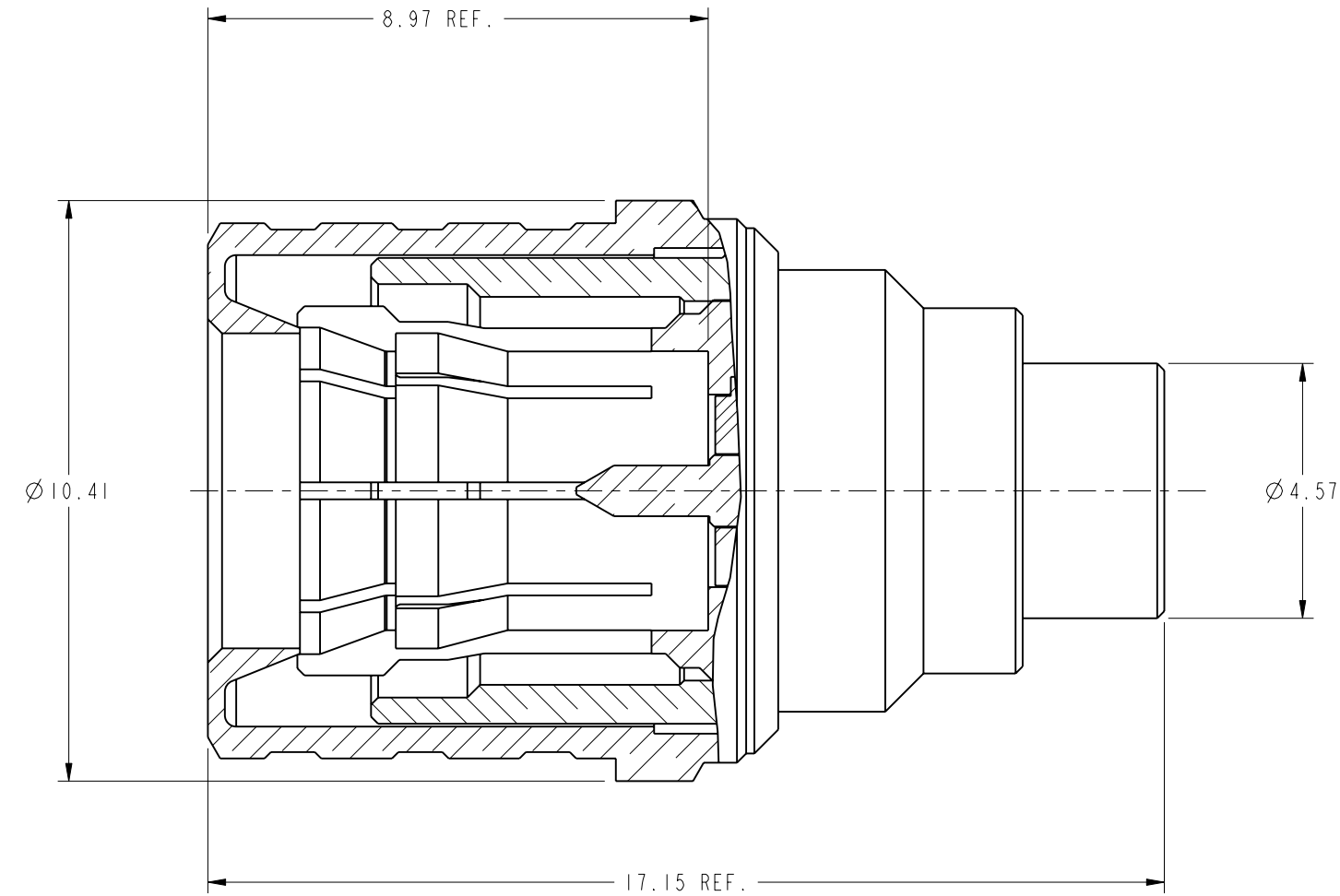
THIRD ANGLE PROJ.

REVISIONS

REV	DESCRIPTION	DATE	ECO	APPR
A	RELEASE TO MFG.	5/13/08	47060	MY
B	TRANSFER TO ARFA	24-May-10	48107	FW
C	SEE SHEET 1	21-May-12	48285	SH
D	SEE SHEET 1	03-Dec-14	50119	SH



SCALE 3.000



CUSTOMER OUTLINE DRAWING

ALL OTHER SHEETS ARE FOR INTERNAL USE ONLY

UNLESS OTHERWISE SPECIFIED, DIMENSIONS ARE IN METRIC AND TOLERANCES ARE: <0.5mm ±0.05mm 0.5 - 6mm ±0.1mm 6 - 30mm ±0.2mm 30 - 120mm ±0.3mm ANGLES ±1° NOTICE - These drawings, specifications, or other data (1) are, and remain the property of Amphenol corp. (2) must be returned upon request; and (3) are confidential and not to be disclosed to any person other than those to whom they are given by Amphenol Corp. the furnishing of these drawings, specifications, or other data by Amphenol Corp., or to any other person to anyone for any purpose is not to be regarded by implication or otherwise in any manner licensing, granting rights to permitting such holder or any other sperson to manufacture, use or sell any product, process or design, patented or otherwisle, that may in any way be related to or disclosed by said drawings, specifications, or other data.	MATERIAL	DRAWN L.QIN	DATE 02-Dec-14	TITLE QMA PLUG, 1 WATT TERMINATION	Amphenol RF Danbury CT USA, Tainan, Taiwan, Shenzhen, China www.amphenolrf.com
	REFERENCE EAR# 2890 AND	ENGINEER MY	DATE 24-May-10		
	CONFIGURATION LEVEL: RELEASE TO MFG.	APPROVED S.HSIEH	DATE 02-Dec-14	SHEET 2 OF 2	ITEM NO.930-187P-51T
	FINISH	I:/QMA/930-187P-51T	CAD FILE	DWG SIZE B	REV D