

NOTES:

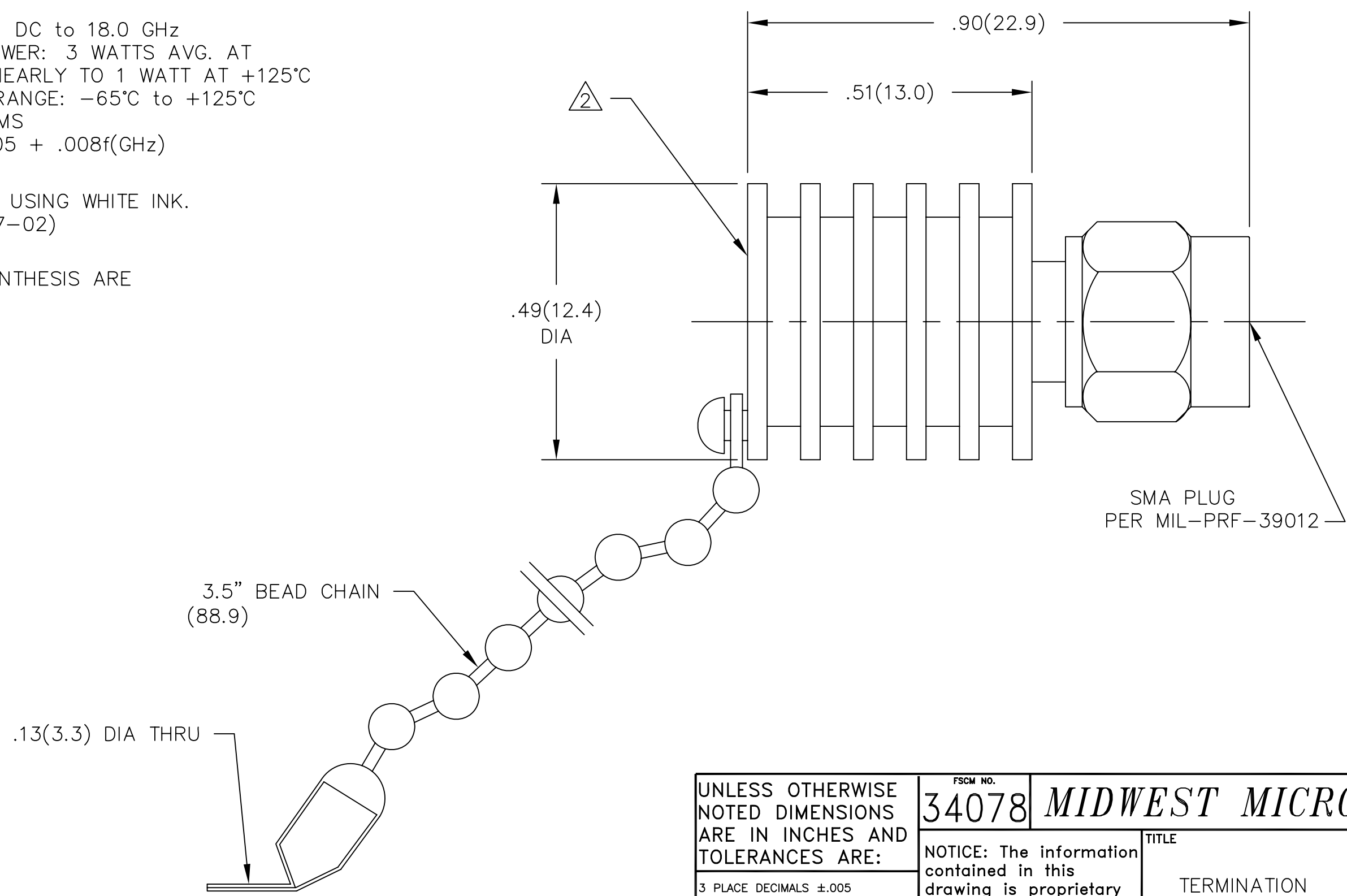
1.0 SPECIFICATIONS:

- 1.1 FREQUENCY RANGE: DC to 18.0 GHz
- 1.2 MAXIMUM INPUT POWER: 3 WATTS AVG. AT +25°C DERATED LINEARLY TO 1 WATT AT +125°C
- 1.3 OPERATING TEMP. RANGE: -65°C to +125°C
- 1.4 IMPEDANCE: 50 OHMS
- 1.5 MAXIMUM VSWR: 1.05 + .008f(GHz)

△2 MARK THIS SURFACE USING WHITE INK. (REF: INK-02650-27-02)

3.0 DIMENSIONS IN PARENTHESIS ARE IN MILLIMETERS.

MODEL NUMBER  
TRM-2057-MC-SMA-07  
REV.  
E1



REV.	DESCRIPTION	DATE
I	RELEASED	2/12/79
A	ECR 2556	12/19/83
B	ECR 6545	6/30/89
C	ECR 6943	11/13/89
D	ECR 7291	4/2/90
D1	CHNGE XX TO MX	12/11/90
D2	UPDATE MODEL NO.	5/17/91
E	REDRAW ON CAD	5/27/94
E1	ADDED TITLEBLOCK	10/27/05

DWG. NO. WAS: 02749-01-00 & TRM-2057-MX-SMA-07

UNLESS OTHERWISE NOTED DIMENSIONS ARE IN INCHES AND TOLERANCES ARE: 3 PLACE DECIMALS ±.005 2 PLACE DECIMALS ±.02 FRACTIONS ±1/64 PARALLELITY: T.I.R. _____ FLATNESS: T.I.R. _____ CONCENTRICITY: T.I.R. _____ ANGLES AND PERPENDICULARITY: ±1'	FSCM NO. <b>34078</b>	<b>MIDWEST MICROWAVE</b>	
	NOTICE: The information contained in this drawing is proprietary and must not be used without the permission of Midwest Microwave	TITLE TERMINATION	
DRAWN/DATE M.HOLLMAN 5/27/94	ENG./DATE G.KOZAK 6/7/94	DRAWING NUMBER TRM-2057-MC-SMA-07	
CHECKED/DATE A.BEATTY 6/1/94	APPROVED/DATE	SCALE: 5=1	SHEET 1 of 1