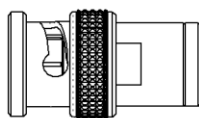
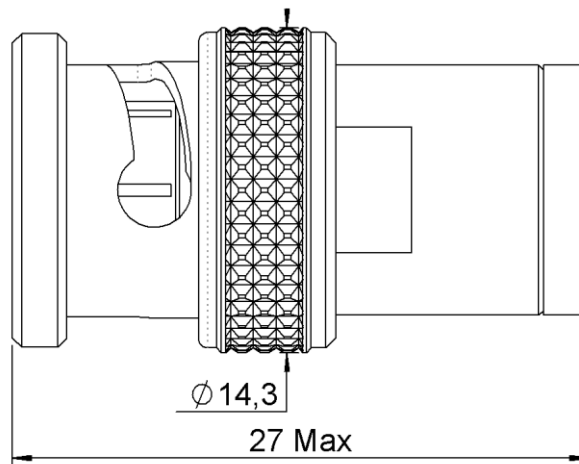
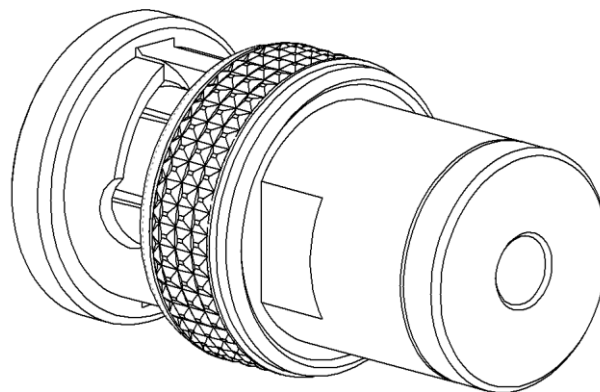


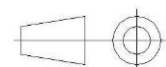
PAGE 1/2	ISSUE 14-09-15B	SERIES TERMINATION	PART NUMBER R404012000
----------	-----------------	------------------------------	-------------------------------



SCALE 1:1



All dimensions are in mm.



COMPONENTS	MATERIALS	PLATING (μm)
Body	BRASS	NICKEL 2
Center contact	BRASS	GOLD 1 OVER NICKEL 2
Outer contact	-	-
Insulator	PTFE	
Gasket	SILICONE RUBBER	
Substrate	ALUMINA	
Resistor	THICK FILM	
Others parts	BRASS	NICKEL 2

PAGE 2/2	ISSUE 14-09-15B	SERIES TERMINATION	PART NUMBER R404012000
----------	------------------------	------------------------------	-------------------------------

ELECTRICAL CHARACTERISTICS

Frequency (GHz) **DC - 0.5** **0.5 - 1**
V.S.W.R (≤) **≤1.08** **≤1.15**

Operating Frequency Range	DC - 1	GHz
Impedance	75	Ω
DC Resistance	75	Ω ± 2%
Peak power at 25°C (1μs, 1%)	500	W
Average power at 25°C	1	W (Free Air Cooled)
		W (Conduction Cooled)

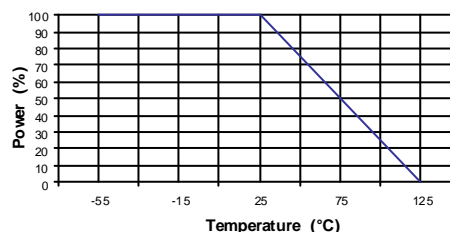
MECHANICAL CHARACTERISTICS

Connectors	BNC	MALE	MIL C39012
Weight	13,6500 g		

ENVIRONMENTAL CHARACTERISTICS

Operating temperature range	-55 /+125	°C
Storage temperature range	-55 /+125	°C

Power derating Versus temperature



SPECIFICATION

OTHER CHARACTERISTICS