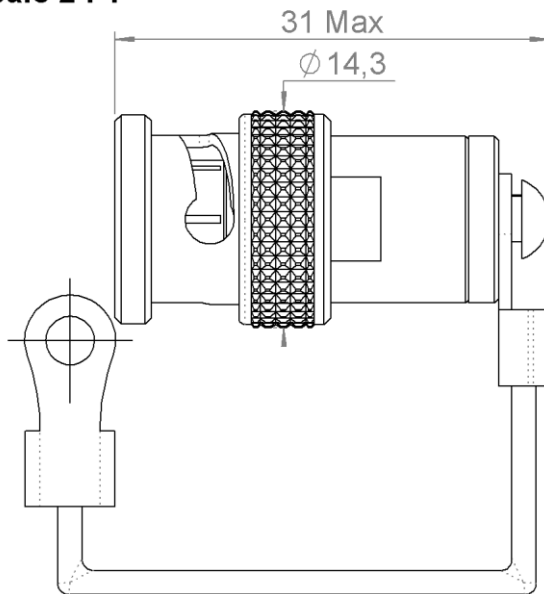
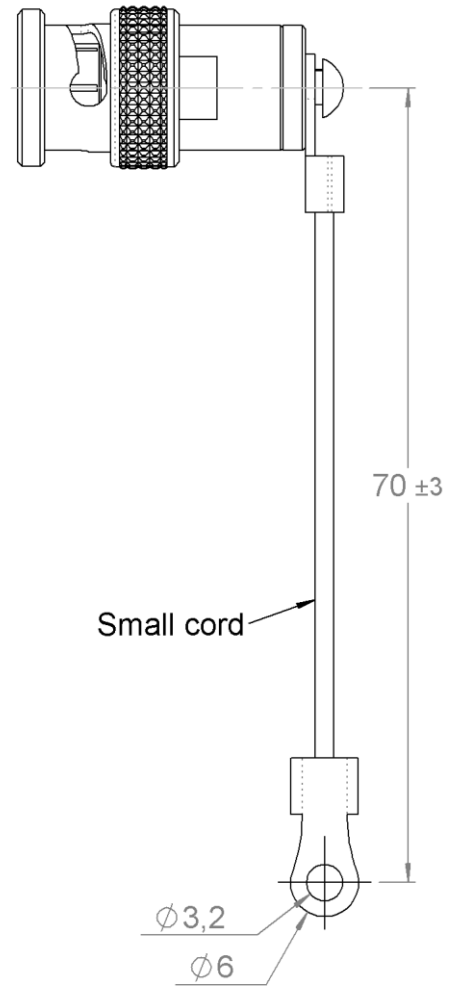


PAGE 1/2	ISSUE 28-08-18B	SERIES TERMINATION	PART NUMBER R404441121
----------	------------------------	------------------------------	-------------------------------

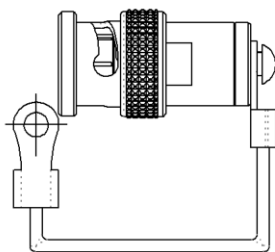
Scale 2 : 1



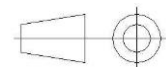
Scale 3 : 2



Scale 1 : 1



All dimensions are in mm. Tolerances according ISO 2768 m-H



COMPONENTS	MATERIALS	PLATING (µm)
Body	BRASS	NICKEL 2
Center contact	BRASS	GOLD 0.7 to 1 over NICKEL 2
Outer contact	BRASS	NICKEL 2
Insulator	PTFE	
Gasket	SILICONE	
Substrate	ALUMINIUM	
Resistor	THICK FILM	
Others parts	BRASS	NICKEL 2

PAGE 2/2	ISSUE 28-08-18B	SERIES TERMINATION	PART NUMBER R404441121
----------	------------------------	------------------------------	-------------------------------

ELECTRICAL CHARACTERISTICS

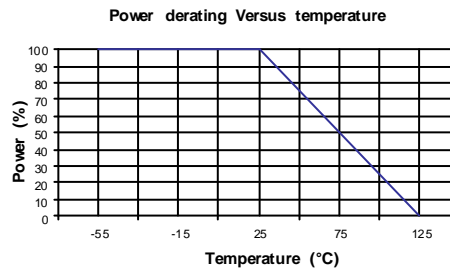
Operating Frequency Range	DC - 1	GHz
Impedance	50	Ω
DC Resistance	50	$\Omega \pm 5\%$
Peak power at 25°C (1 μ s, 1%)	500	W
Average power at 25°C	1	W (Free Air Cooled)
		W (Conduction Cooled)

MECHANICAL CHARACTERISTICS

Connectors	BNC	MALE	MIL C39012
Weight	16,000 g		

ENVIRONMENTAL CHARACTERISTICS

Operating temperature range	-55 /+125	$^{\circ}\text{C}$
Storage temperature range	-55 /+125	$^{\circ}\text{C}$



SPECIFICATION

OTHER CHARACTERISTICS