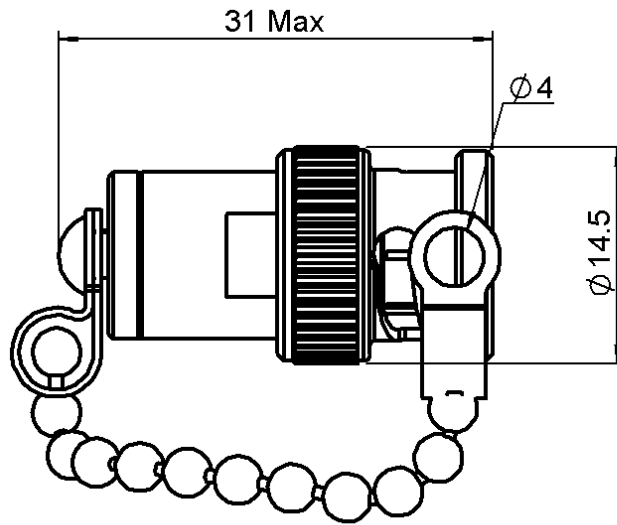
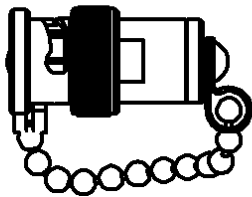


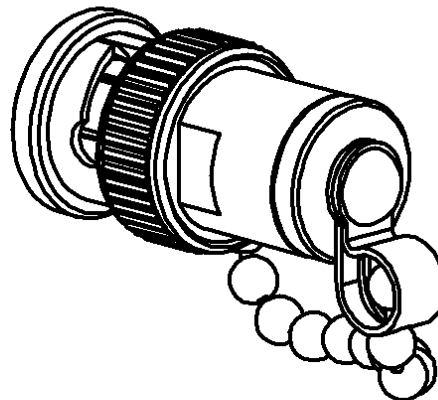
PAGE 1/2	ISSUE 22-06-16B	SERIES TERMINATION	PART NUMBER R404441120
----------	-----------------	-----------------------	------------------------



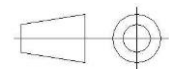
Bead chain length=70mm



Scale 1:1



All dimensions are in mm.



COMPONENTS	MATERIALS	PLATING (µm)
Body	BRASS.	NICKEL 2
Center contact	BRASS.	GOLD 0.7 to 1 over NICKEL 2
Outer contact	-	-
Insulator	PTFE	
Gasket	SILICONE RUBBER	
Substrate	ALUMINA	
Resistor	THICK FILM	
Others parts	-	-

PAGE 2/2	ISSUE 22-06-16B	SERIES TERMINATION	PART NUMBER R404441120
----------	------------------------	------------------------------	-------------------------------

ELECTRICAL CHARACTERISTICS

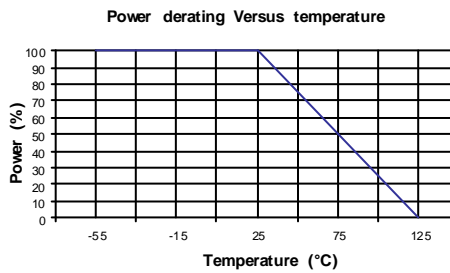
Operating Frequency Range	DC - 1	GHz
Impedance	50	Ω
DC Resistance	50	Ω ± 5%
Peak power at 25°C (1μs, 1%)	500	W
Average power at 25°C	1	W (Free Air Cooled)
		W (Conduction Cooled)

MECHANICAL CHARACTERISTICS

Connectors	BNC	MALE	MIL C39012
Weight	11,5900 g		

ENVIRONMENTAL CHARACTERISTICS

Operating temperature range	-55 /+125	°C
Storage temperature range	-55 /+125	°C



SPECIFICATION

OTHER CHARACTERISTICS