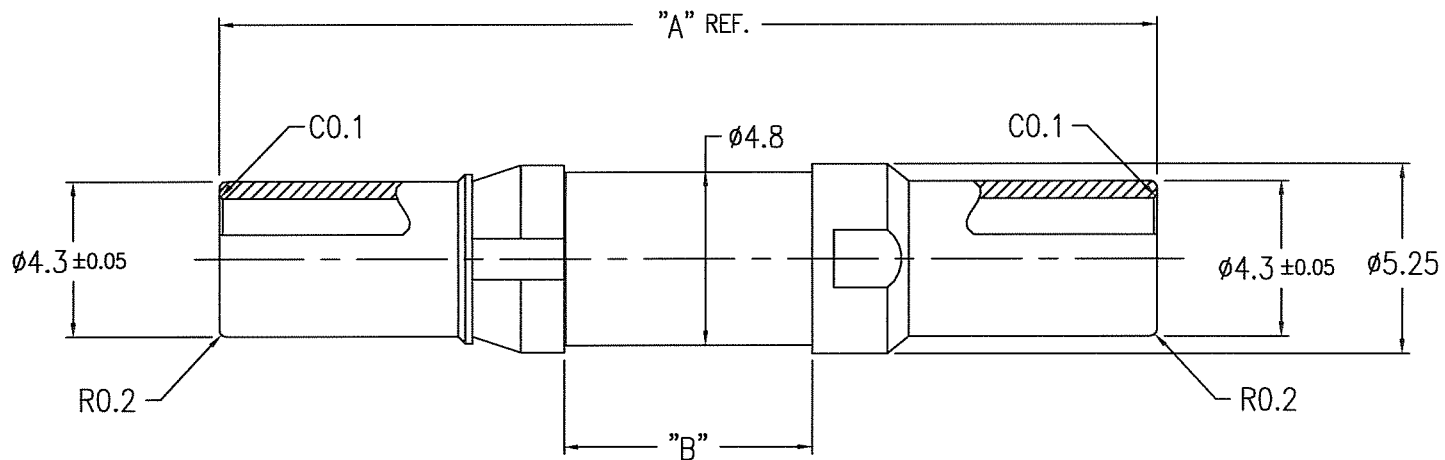


PRODUCT NO.	DIM "A"	DIM "B"	PCB THICKNESS
62364-101	26.1	6.9	2.4 ~ 2.9mm
62364-102	26.7	7.5	3.0 ~ 3.5mm
62364-103	28.5	9.3	4.8 ~ 5.1mm



**NOTE**

- ① MATERIAL  
 INNER CONTACT : BeCu (C1720)  
 RETAINER : BeCu (C1720)  
 INSULATOR : PTFE  
 OTHERS : BRASS (C3602)

- ② PLATING  
 INNER CONTACT : Au 0.8μm MIN.  
 OTHERS : Au 0.3μm MIN.  
 (UNDER : Ni 1.27μm MIN.)

mat'l. code				surface		tolerance		projection		product family		CODE
---				ISO 1302		ISO 406 ISO 1101		MM		METRAL		JP
ltr	description	ecn no	dr	date	angles	linear	tolerances unless otherwise specified	scale 5:1		title		
A	RELEASED	J80421	Y.K	10/16/98			0.X ±0.3			METRAL COAX COUPLER		
B	REVISED	J10388	Y.K	7/3/01			0.XX ±0.3			DIN-A-JJ (75Ω)		
C	REVISED	J10683	Y.K	11/8/01	0°±2'		0.XXX ±0.3			sheet 1 of 1 size		
D	REVISED	J20160	Y.K	3/25/02	dr	Y.KODAIRA	10/18/98			62364 A4		
E	REVISED	J03-0309	Y.K	7/17/03	enrg	S.OKUDAIRA	3/5/07			type Customer Drawing		
F	REVISED	J07-0030	S.O	1/18/07	chr	R. Shoyi	3/16/07			Rev. G		
G	REVISED	J07-0147	S.O	3/5/07	appd	S. Oudaw	3/18/07					
sheet index	revision sheet	G	1									