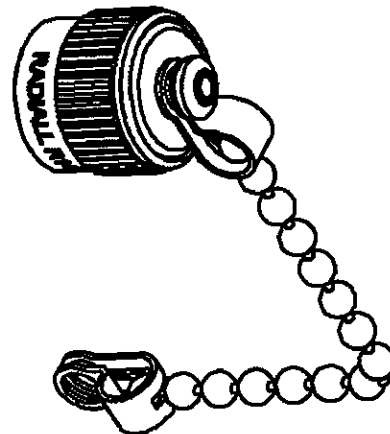
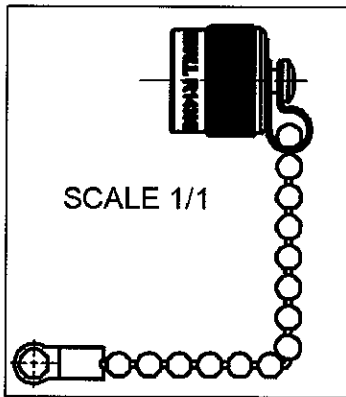
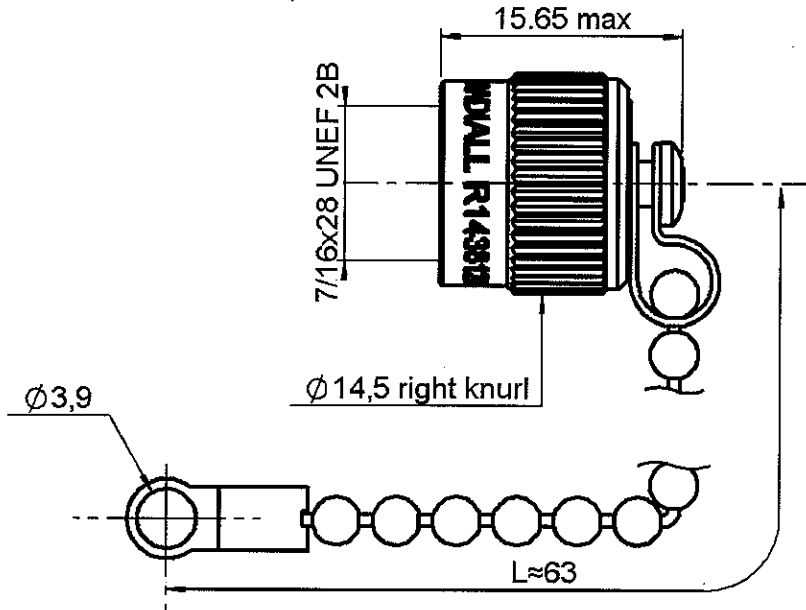


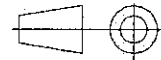
**MALE PROTECTIVE CAP
WITH CHAIN**

R143.812.000

Series : TNC



All dimensions are in mm.



COMPONENTS	MATERIALS	PLATINGS (µm)
BODY	BRASS	NICKEL 2
CENTER CONTACT	-	-
OUTER CONTACT	-	-
INSULATOR	-	-
GASKET	SILICONE RUBBER	
OTHERS PARTS	BRASS	NICKEL 2
-	-	-
-	-	-

Issue : 0650 K

In the effort to improve our products, we reserve the right to make changes judged to be necessary.



**MALE PROTECTIVE CAP
WITH CHAIN**

R143.812.000

Series : TNC

PACKAGING

Standard	Unit	Other
1	-	Contact us

SPECIFICATION

ASN-E0641

ELECTRICAL CHARACTERISTICS

Impedance	NA	Ω
Frequency	NA	GHz
VSWR	NA + 0,0000	x F(GHz) Maxi
Insertion loss	NA	\sqrt{F} (GHz) dB Maxi
RF leakage	NA - (F(GHz)) dB Maxi
Voltage rating	NA	Veff Maxi
Dielectric withstanding voltage	NA	Veff mini
Insulation resistance	NA	M Ω mini

ENVIRONMENTAL

Operating temperature	-65/+165	$^{\circ}$ C
Hermetic seal	NA	Atm.cm3/s
Panel leakage	NA	

OTHERS CHARACTERISTICS

Assembly instruction

Others :

MECHANICAL CHARACTERISTICS

Center contact retention		
Axial force – Mating end	NA	N mini
Axial force – Opposite end	NA	N mini
Torque	NA	N.cm mini
Recommended torque		
Mating	NA	N.cm
Panel nut	NA	N.cm
Mating life	500	Cycles mini
Weight	8,0000	g

Issue : 0650 K

In the effort to improve our products, we reserve the right to make changes judged to be necessary.



RADIALL®