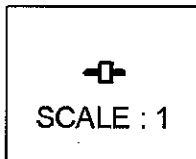
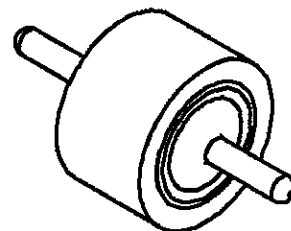
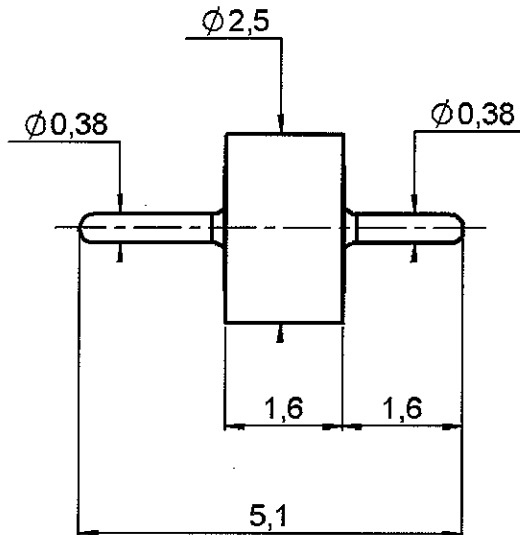


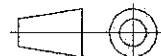
GLASS BEAD

**R280.752.000**

Series : ACC-COAX



All dimensions are in mm.



COMPONENTS	MATERIALS	PLATINGS ( $\mu\text{m}$ )
BODY	FERRO-NICKEL	GOLD 1.27 OVER NICKEL 1.27
CENTER CONTACT	FERRO-NICKEL	GOLD 1.27 OVER NICKEL 1.27
OUTER CONTACT	-	-
INSULATOR	GLASS	-
GASKET	-	-
OTHERS PARTS	-	-

Operating temperature :  $-65/+200$  °C

Weight : 0,0440 g

Others characteristics : -

Issue : 0436 A

In the effort to improve our products, we reserve the right to make changes judged to be necessary.



**RADIALL**®

GLASS BEAD

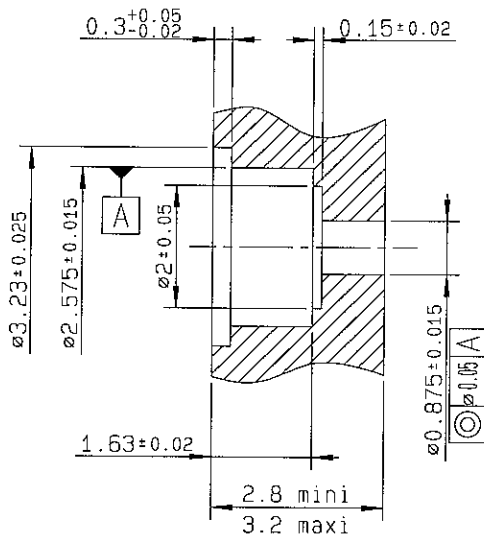
R280.752.000

Series : ACC-COAX

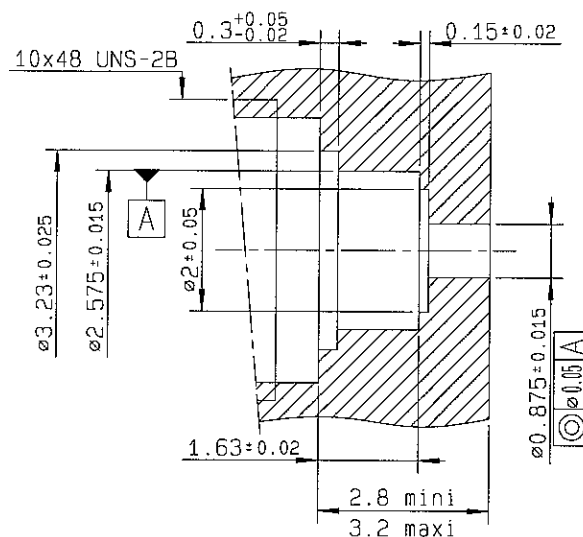
ADDITIONAL INFORMATIONS  
MOUNTING INSTRUCTIONS

1 - MOUNTING HOLE

FLANGE SHROUD



THREAD-IN SHROUD

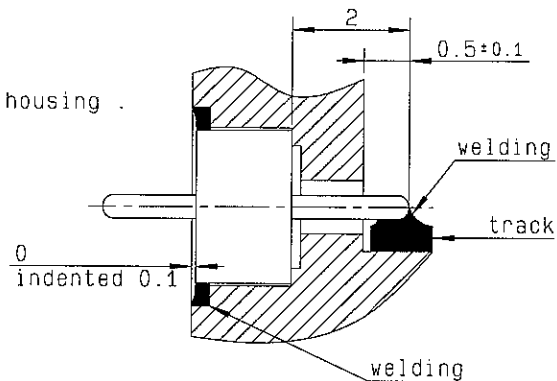


2 - ASSEMBLY INSTRUCTIONS

2-1 - Introduce the glass bead into its housing .

2-2 - Weld the ring by putting a welding wire in the groove .

2-3 - Weld the pin on the track .  
Beware of putting too much welding !



IMPORTANT: for maximum RF characteristics the link track/pin must be as thin as possible. We advise you to respect rigourously the 0.5+0.1 dimension, by welding accurately the bead pin directly on the track .