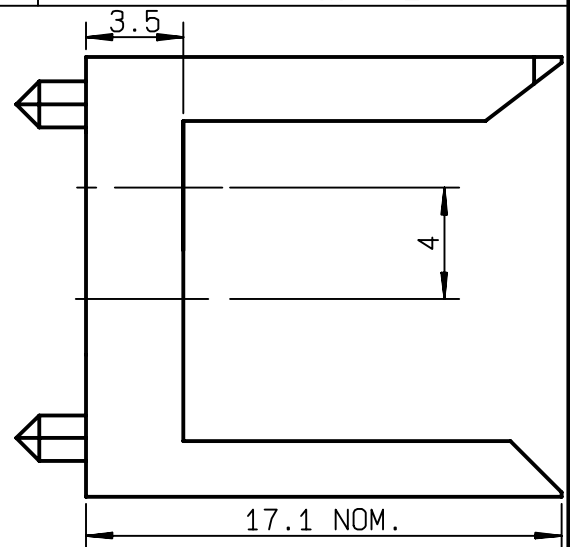
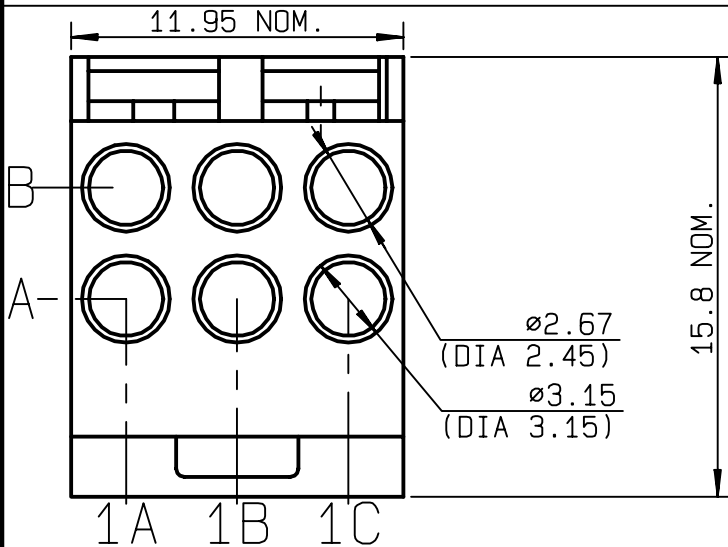


**STRAIGHT MALE HOUSING
FOR REMOVABLE INSERTS**

R694.261.906
SERIES MCC2



| | |
|---------------------------------|------------------------------------|
| NOMINAL IMPEDANCE | NA Ω |
| FREQUENCY RANGE | NA GHz |
| TEMPERATURE RATING | -25/+125 °C |
| V.S.W.R | NA + x F(GHz)Maxi |
| RF INSERTION LOSS | NA \sqrt{F} (GHz) dB Maxi |
| VOLTAGE RATING | NA Veff Maxi |
| DIELECTRIC WITHSTANDING VOLTAGE | NA Veff Mini |
| INSULATION RESISTANCE | NA M Ω Mini |
| HERMETIC SEAL | MA Atm.cm ³ /s |
| LEAKAGE (pressurized only) | NA |
| MECHANICAL DURABILITY | Cycles |
| WEIGHT | 1.22 gr |
| SPECIFICATION | |

CABLES :

OTHERS CHARACTERISTICS

| | |
|----------------------------|---------------------|
| CABLE RETENTION | NA N Mini |
| CENTER CONTACT RETENTION | |
| Axial force - mating end | NA N Mini |
| Axial force - opposite end | NA N Mini |
| Torque | NA cm.N Mini |
| RECOMMENDED TORQUES | |
| Mating | NA cm.N |
| Panel nut | NA cm.N |
| Clamp nut | NA cm.N |

| | | | |
|------------------|------------------------|--------|---|
| CONNECTOR PARTS: | MATERIALS | FINISH | (all values are given) in micrometers |
| BODY | | | |
| OUTER CONTACT | | | |
| CENTER CONTACT | | | |
| INSULATOR | | | |
| GASKET | | | |
| OTHERS PIECES | LIQUID CRISTAL POLYMER | | |

| | | |
|----------------|-------------------|------------------|
| ISSUE | CREATION DATE | FILE PART-NUMBER |
| 0234A00 | 27/01/1997 | |



Connect to the future

The information given here is subject to change without notice.
Design changes may be in order to improve the product .

BAFFERT