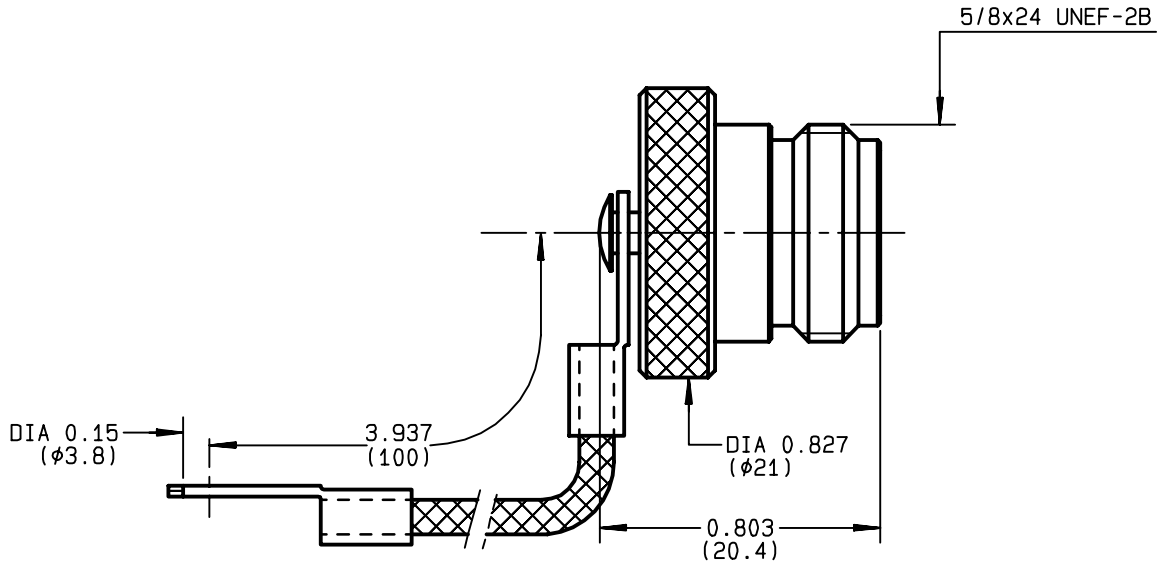


**FEMALE PROTECTIVE CAP  
WITH CORD**

**R161.844.000**  
**SERIES N**



NOMINAL IMPEDANCE	NA	Ω	CABLES :	
FREQUENCY RANGE	NA	GHz		
TEMPERATURE RATING	-55/+155	°C		
V.S.W.R	NA +	x F(GHz)Maxi		
RF INSERTION LOSS	NA	√F(GHz) dB Maxi		
VOLTAGE RATING	NA	Veff Maxi		
DIELECTRIC WITHSTANDING VOLTAGE	NA	Veff Mini		
INSULATION RESISTANCE	NA	M ΩMini	OTHERS CHARACTERISTICS	
HERMETIC SEAL	NA	Atm.cm <sup>3</sup> /s	CABLE RETENTION	NA N Mini
LEAKAGE (pressurized only)	NA		CENTER CONTACT RETENTION	
MECHANICAL DURABILITY	500	Cycles	Axial force - mating end	NA N Mini
WEIGHT	28.1	gr	Axial force - opposite end	NA N Mini
SPECIFICATION			Torque	NA cm.N Mini
			RECOMMENDED TORQUES	
			Mating	NA cm.N
			Panel nut	NA cm.N
			Clamp nut	NA cm.N

CONNECTOR PARTS	MATERIALS	FINISH	(all values are given in micrometers)
BODY	BRASS	BBR 2	
OUTER CONTACT			
CENTER CONTACT			
INSULATOR		-	
GASKET		-	
OTHERS PIECES	BRASS	BBR 2	

ISSUE 9726E00  
 CREATION DATE 17/06/1993  
 FILE PART-NUMBER



BONOMINI

The information given here is subject to change without notice.  
 Design changes may be in order to improve the product .

Connect to the future