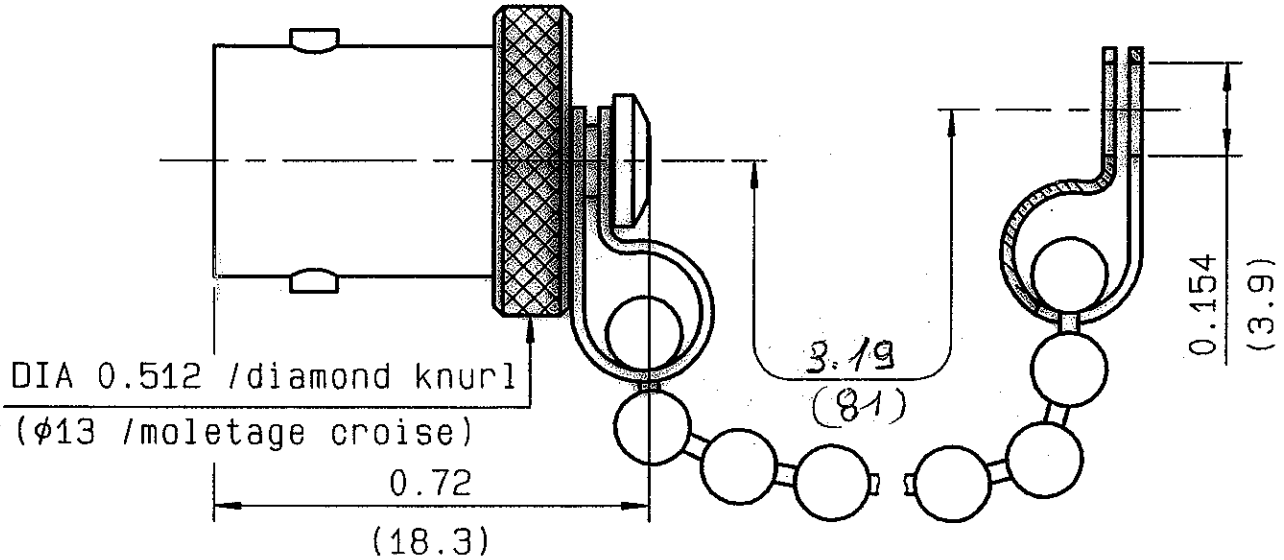


FEMALE PROTECTIVE GAP CHAIN

R141.842.000
SERIES BNC



| | | |
|---------------------------------|----------|------------------------|
| NOMINAL IMPEDANCE | NA | Ω |
| FREQUENCY RANGE | NA | GHz |
| TEMPERATURE RATING | -65/+165 | °C |
| V.S.W.R | NA + | x F(GHz)Maxi |
| RF INSERTION LOSS | NA | √F(GHz) dB Maxi |
| VOLTAGE RATING | NA | Veff Maxi |
| DIELECTRIC WITHSTANDING VOLTAGE | NA | Veff Mini |
| INSULATION RESISTANCE | NA | M ΩMini |
| HERMETIC SEAL | NA | Atm.cm ³ /s |
| LEAKAGE (pressurized only) | NA | |
| MECHANICAL DURABILITY | 500 | Cycles |
| WEIGHT | 9.3 | gr |

CABLES :

OTHERS CHARACTERISTICS

| | | |
|----------------------------|----|-----------|
| CABLE RETENTION | NA | N Mini |
| CENTER CONTACT RETENTION | | |
| Axial force - mating end | NA | N Mini |
| Axial force - opposite end | NA | N Mini |
| Torque | NA | cm.N Mini |
| RECOMMENDED TORQUES | | |
| Mating | NA | cm.N |
| Panel nut | NA | cm.N |
| Clamp nut | NA | cm.N |

| CONNECTOR PARTS | MATERIALS | FINISH | (all values are given) in micrometers |
|-----------------|-----------|----------|---|
| BODY | BRASS | NICKEL 2 | |
| OUTER CONTACT | | | |
| CENTER CONTACT | | | |
| INSULATOR | | | |
| GASKET | | | |
| OTHERS PIECES | | | |

| | | |
|---------|---------------|------------------|
| ISSUE | CREATION DATE | FILE PART-NUMBER |
| 9802A00 | 14-NOV-97 | |



The information given here is subject to change without notice.
 Design changes may be in order to improve the product .

Connect to the future