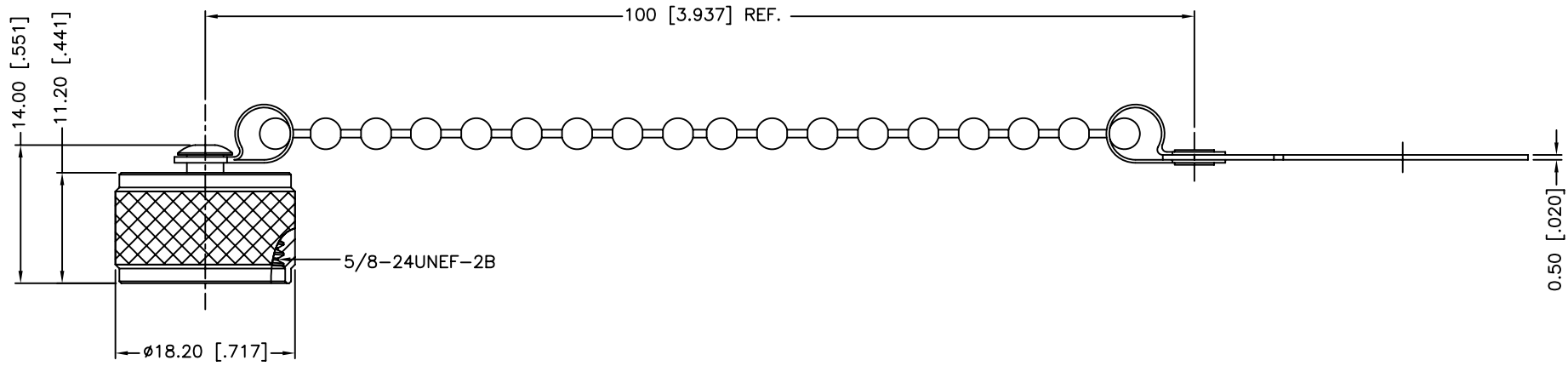
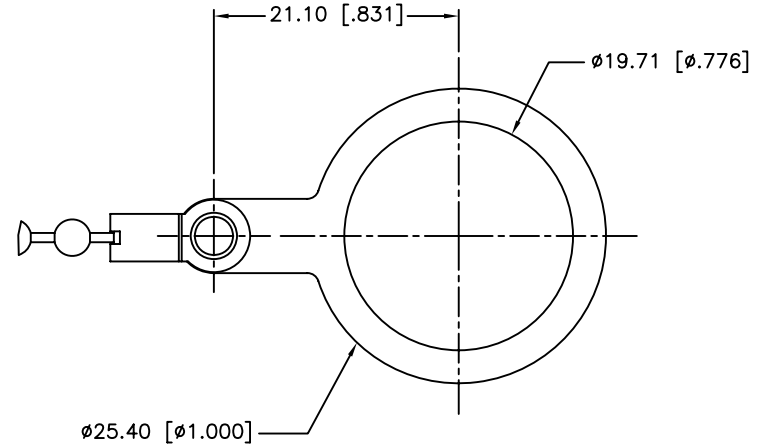
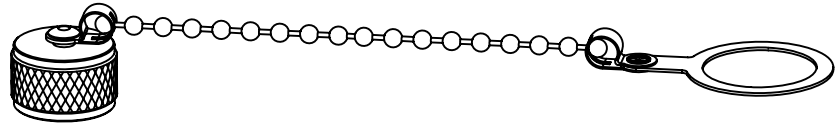


REV.	DATE	ECR NO.	DESCRIPTION
NC	12/20/11	XXXXXX	INITIAL RELEASE



4	CHAIN	BRASS	NICKEL	1
3	RIVET	BRASS	NICKEL	1
2	GASKET	SILICON RUBBER	RED	1
1	SHELL	BRASS	NICKEL	1
DESCRIPTION	MATERIAL	FINISH	QTY	

UNLESS OTHERWISE SPECIFIED DIMENSIONS ARE IN MILLIMETERS. DIMENSIONS IN [] ARE IN INCHES AND FOR CUSTOMER REFERENCE ONLY.

UNLESS OTHERWISE SPECIFIED TOLERANCES FOR MILLIMETERS ARE:
0.5 - 8mm ± 0.20mm
8 - 30mm ± 0.40mm
30 - 120mm ± 0.50mm

UNLESS OTHERWISE SPECIFIED TOLERANCES FOR INCHES ARE:
.020 - .315 = ± 0.007"
.315 - 1.180 = ± 0.015"
1.180 - 4.724 = ± 0.020"

DO NOT SCALE DRAWING

APPROVALS		DATE
DRAWN	M.ZHANG	12/20/11
CHECKED		
ISSUED		
SHEET	1 OF 1	
CAD FILE	C:/CONNEX/202102-11.DWG	

Amphenol Connex

PART DESCRIPTION
**N MALE CAP WITH CHAIN
Ø19.71MM LARGE LOOP**

PART NO. **202102-11**

DWG. NO. 202102-11.DWG REV. NC SIZE A SCALE NA