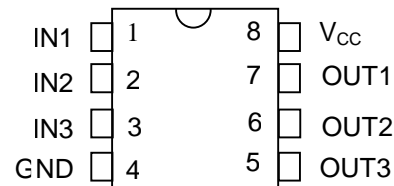


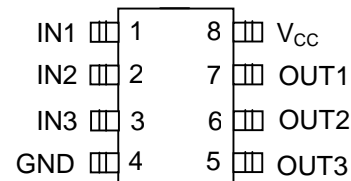
### FEATURES

- All-silicon timing circuit
- Three independent buffered delays
- Stable and precise over temperature and voltage
- Leading and trailing edge precision preserves the input symmetry
- Standard 8-pin DIP and 8-pin SOIC (150 mil)
- Vapor phasing, IR and wave solderable
- Available in Tape and Reel

### PIN ASSIGNMENT



DS1035M 8-Pin DIP  
See Mech. Drawings Section



DS1035Z 8-Pin SOIC (150-mil)  
See Mech. Drawings Section

### PIN DESCRIPTION

IN1-IN3	- Input Signals
OUT1-OUT3	- Output Signals
NC	- No Connection
V <sub>CC</sub>	- +5 Volt Supply
GND	- Ground
(Sub)	- Internal substrate connection, do not make any external connections to these pins

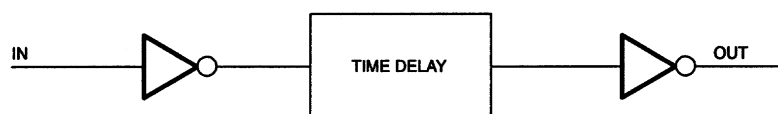
### DESCRIPTION

The DS1035 series is a low-power +5-volt high-speed version of the popular DS1013 and complements the DS1033 +3.3 Volt version.

The DS1035 series of delay lines have three independent logic buffered delays in a single package. The device is Dallas Semiconductor's fastest 3-in-1 delay line. It is available in a standard 8-pin DIP and 150 Mil 8-pin Mini-SOIC.

The device features precise leading and trailing edge accuracies. It has the inherent reliability of an all-silicon delay line solution. The DS1035's initial tolerance is  $\pm 1.5$  or  $\pm 2.0$  ns with an additional tolerance over temperature and voltage of  $\pm 1.0$  ns or  $\pm 1.5$  ns, depending on the delay value. Each output is capable of driving up to 10 LS loads.

Standard delay values are indicated in Table 1. Customers may contact Dallas Semiconductor at (982) 371-4348 for further information.

**LOGIC DIAGRAM** Figure 1

ONE OF THREE

**PART NUMBER DELAY TABLE ( $t_{PLH}$ ,  $t_{PHL}$ )** Table 1

PART NUMBER	DELAY PER OUTPUT (ns)	INITIAL TOLERANCE	TOLERANCE OVER TEMPERATURE AND VOLTAGE
DS1035-6	6/6/6	±1.5 ns	±1.0 ns
DS1035-8	8/8/8	±1.5 ns	±1.0 ns
DS1035-10	10/10/10	±1.5 ns	±1.0 ns
DS1035-12	12/12/12	±1.5 ns	±1.0 ns
DS1035-15	15/15/15	±1.5 ns	±1.5 ns
DS1035-20	20/20/20	±1.5 ns	±1.5 ns
DS1035-25	25/25/25	±2.0 ns	±1.5 ns
DS1035-30	30/30/30	±2.0 ns	±1.5 ns

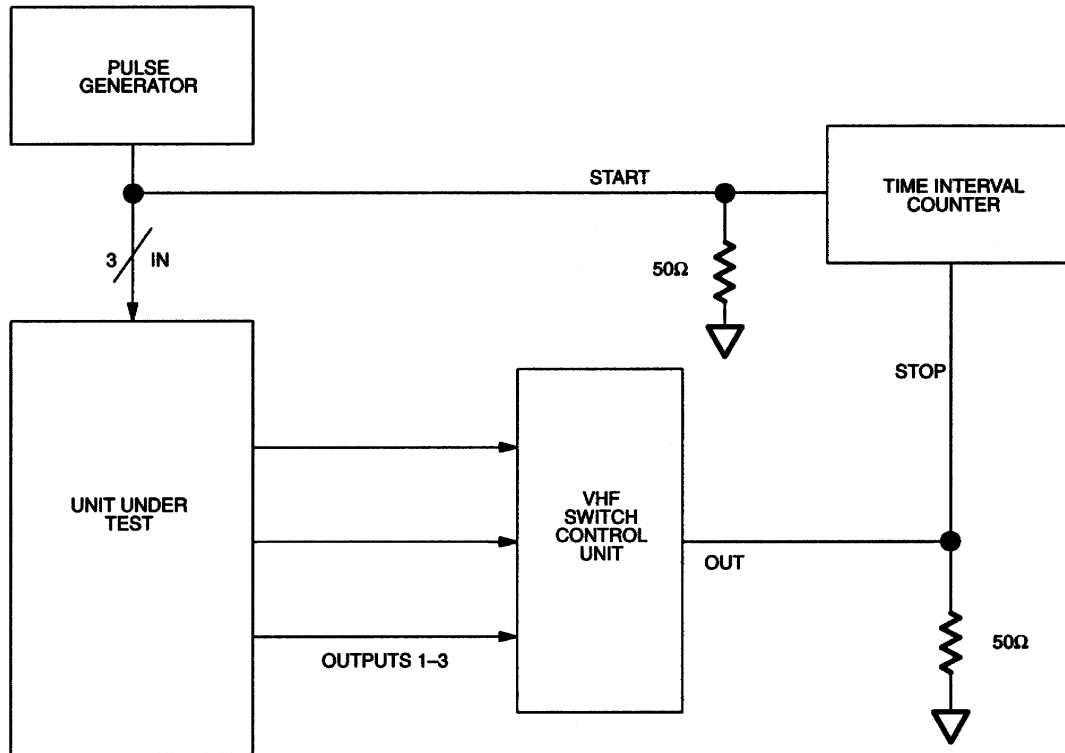
**NOTES:**

1. Nominal conditions are +25°C and  $V_{CC}=+5.0$  volts.
2. Temperature range of 0°C to 70°C and voltage range of 4.75 volts to 5.25 volts.
3. Delay accuracy is for both leading and trailing edges.

## TEST SETUP DESCRIPTION

Figure 2 illustrates the hardware configuration used for measuring the timing parameters of the DS1035. The input waveform is produced by a precision pulse generator under software control. Time delays are measured by a time interval counter (20 ps resolution) connected to the output. The DS1035 output taps are selected and connected to the interval counter by a VHF switch control unit. All measurements are fully automated with each instrument controlled by the computer over an IEEE 488 bus.

### DS1035 TEST CIRCUIT Figure 2



**ABSOLUTE MAXIMUM RATINGS\***

Voltage on Any Pin Relative to Ground	-1.0V to +7.0V
Operating Temperature	0°C to 70°C
Storage Temperature	-55°C to +125°C
Soldering Temperature	260°C for 10 seconds
Short Circuit Output Current	50 mA for 1 second

\* This is a stress rating only and functional operation of the device at these or any other conditions above those indicated in the operation sections of this specification is not implied. Exposure to absolute maximum rating conditions for extended periods of time may affect reliability.

**DC ELECTRICAL CHARACTERISTICS** (0°C to 70°C;  $V_{CC} = +5V \pm 5\%$ )

PARAMETER	SYMBOL	TEST CONDITION	MIN	TYP	MAX	UNITS
Supply Voltage	$V_{CC}$		4.75	5.00	5.25	V
Active Current	$I_{CC}$	$V_{CC}=5.25V$ Period=1 $\mu$ s			35	mA
High Level Input Voltage	$V_{IH}$		2.2		$V_{CC} + 0.5$	V
Low Level Input Voltage	$V_{IL}$		-0.5		0.8	V
Input Leakage	$I_L$	$0V \leq V_I \leq V_{CC}$	-1.0		+1.0	$\mu$ A
High Level Output Current	$I_{OH}$	$V_{CC}=4.75V$ $V_{OH}=4V$			-1.0	mA
Low Level Output Current	$I_{OL}$	$V_{CC}=4.75V$ $V_{OL}=0.5V$	12			mA

**AC ELECTRICAL CHARACTERISTICS** (+25°C;  $V_{CC} = 5V \pm 5\%$ )

PARAMETER	SYMBOL	MIN	TYP	MAX	UNITS	NOTES
Period	$t_{PERIOD}$	2 ( $t_{WI}$ )			ns	3
Input Pulse Width	$t_{WI}$	100% of Tap Delay			ns	3
Input-to-Tap Output Delay	$t_{PLH}, t_{PHL}$		Table 1		ns	
Output Rise or Fall Time	$t_{OR}, t_{OF}$		2.0	2.5	ns	
Power-up Time	$t_{PU}$			100	ms	

**CAPACITANCE** ( $T_A = 25^\circ C$ )

PARAMETER	SYMBOL	MIN	TYP	MAX	UNITS	NOTES
Input Capacitance	$C_{IN}$			10		pF

## TEST CONDITIONS

Ambient Temperature:  $25^{\circ}\text{C} \pm 3^{\circ}\text{C}$

Supply Voltage ( $V_{\text{CC}}$ ):  $5.0\text{V} \pm 0.1\text{V}$

Input Pulse:

High:  $3.0\text{V} \pm 0.1\text{V}$

Low:  $0.0\text{V} \pm 0.1\text{V}$

Source Impedance:  $50\Omega$  max.

Rise and Fall Time:  $3.0\text{ ns max.}$  - Measured between  $0.6\text{V}$  and  $2.4\text{V}$ .

Pulse Width:  $500\text{ ns}$

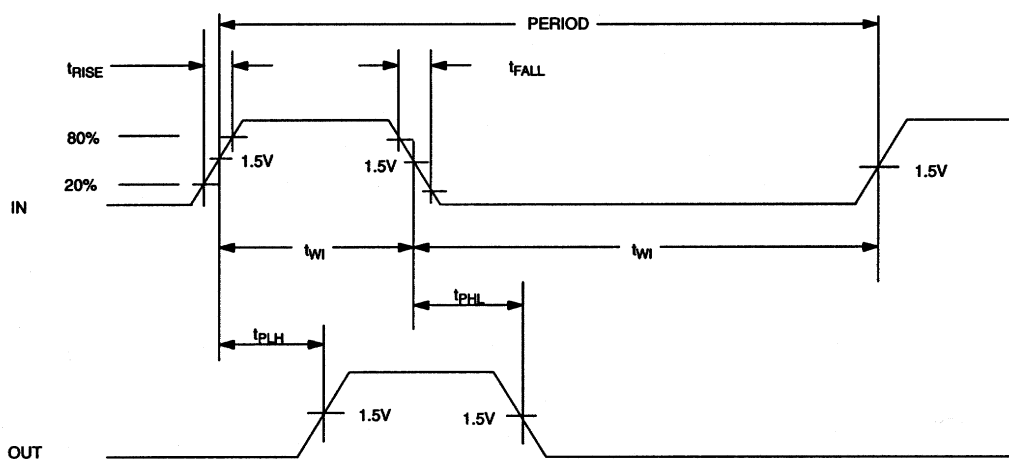
Pulse Period:  $1\ \mu\text{s}$

Output Load Capacitance:  $15\text{ pF}$

Output: Each output is loaded with the equivalent of one 74F04 input gate.  
Data is measured at the  $1.5\text{V}$  level on the rising and falling edges.

**Note:** The above conditions are for test only and do not restrict the devices under other data sheet conditions.

## TIMING DIAGRAM



## NOTES:

1. All voltages are referenced to ground.
2. @  $V_{\text{CC}}=5$  volts and  $25^{\circ}\text{C}$ , delay accuracy on both the rising and falling edges within tolerances given in Table 1.
3. Pulse width and duty cycle specifications may be exceeded; however, accuracy will be application sensitive with respect to decoupling, layout, etc.

---

## TERMINOLOGY

**Period:** The time elapsed between the leading edge of the first pulse and the leading edge of the following pulse.

**$t_{WI}$** (Pulse Width): The elapsed time on the pulse between the 1.5 volt point on the leading edge and the 1.5 volt point on the trailing edge, or the 1.5 volt point on the trailing edge and the 1.5 volt point on the leading edge.

**$t_{RISE}$** (Input Rise Time): The elapsed time between the 20% and the 80% point on the leading edge of the input pulse.

**$t_{FALL}$** (Input Fall Time): The elapsed time between the 80% and the 20% point on the trailing edge on the input pulse.

**$t_{PLH}$** (Time Delay, Rising): The elapsed time between the 1.5 volt point on the leading edge of the input pulse and the 1.5 volt point on the leading edge of the output pulse.

**$t_{PHL}$** (Time Delay, Falling): The elapsed time between the 1.5 volt point on the falling edge of the input pulse and the 1.5 volt point on the falling edge of the output pulse.

## [DS1035](#)

### Part Number Table

Notes:

1. See the [DS1035 QuickView Data Sheet](#) for further information on this product family or download the [DS1035 full data sheet](#) (PDF, 51kB).
2. Other options and links for purchasing parts are listed at: <http://www.maxim-ic.com/sales>.
3. [Didn't Find What You Need?](#) Ask our applications engineers. Expert assistance in finding parts, usually within one business day.
4. Part number suffixes: T or T&R = tape and reel; + = RoHS/lead-free; # = RoHS/lead-exempt. More: See [full data sheet](#) or [Part Naming Conventions](#).
5. \* Some packages have variations, listed on the drawing. "PkgCode/Variation" tells which variation the product uses.

Part Number	Free Sample	Buy Direct	Package: TYPE PINS SIZE DRAWING CODE/VAR *	Temp	RoHS/Lead-Free? Materials Analysis
DS1035M-10			PDIP;8 pin;300 Dwg: <a href="#">56-G5005-000A</a> (PDF) Use pkgcode/variation: P8-2*	0C to +70C	RoHS/Lead-Free: <a href="#">No Materials Analysis</a>
DS1035M-15			PDIP;8 pin;300 Dwg: <a href="#">56-G5005-000A</a> (PDF) Use pkgcode/variation: P8-2*	0C to +70C	RoHS/Lead-Free: <a href="#">No Materials Analysis</a>
DS1035M-20			PDIP;8 pin;300 Dwg: <a href="#">56-G5005-000A</a> (PDF) Use pkgcode/variation: P8-2*	0C to +70C	RoHS/Lead-Free: <a href="#">No Materials Analysis</a>

DS1035M-25	PDIP;8 pin;300 Dwg: <a href="#">56-G5005-000A</a> (PDF) Use pkgcode/variation: P8-2*	0C to +70C	RoHS/Lead-Free: <a href="#">No Materials Analysis</a>
DS1035M-30	PDIP;8 pin;300 Dwg: <a href="#">56-G5005-000A</a> (PDF) Use pkgcode/variation: P8-2*	0C to +70C	RoHS/Lead-Free: <a href="#">No Materials Analysis</a>
DS1035M-12	PDIP;8 pin;300 Dwg: <a href="#">56-G5005-000A</a> (PDF) Use pkgcode/variation: P8-2*	0C to +70C	RoHS/Lead-Free: <a href="#">No Materials Analysis</a>
DS1035M-6	PDIP;8 pin;300 Dwg: <a href="#">56-G5005-000A</a> (PDF) Use pkgcode/variation: P8-2*	-40C to +85C	RoHS/Lead-Free: <a href="#">No Materials Analysis</a>
DS1035M-8	PDIP;8 pin;300 Dwg: <a href="#">56-G5005-000A</a> (PDF) Use pkgcode/variation: P8-2*	-40C to +85C	RoHS/Lead-Free: <a href="#">No Materials Analysis</a>
DS1035Z-8/T&R	SOIC;8 pin;150 Dwg: <a href="#">56-G2008-001C</a> (PDF) Use pkgcode/variation: S8-4*	0C to +70C	RoHS/Lead-Free: <a href="#">No Materials Analysis</a>
DS1035Z-10/T&R	SOIC;8 pin;150 Dwg: <a href="#">56-G2008-001C</a> (PDF) Use pkgcode/variation: S8-4*	0C to +70C	RoHS/Lead-Free: <a href="#">No Materials Analysis</a>
DS1035Z-12/T&R	SOIC;8 pin;150 Dwg: <a href="#">56-G2008-001C</a> (PDF) Use pkgcode/variation: S8-4*	0C to +70C	RoHS/Lead-Free: <a href="#">No Materials Analysis</a>
DS1035Z-15/T&R	SOIC;8 pin;150 Dwg: <a href="#">56-G2008-001C</a> (PDF) Use pkgcode/variation: S8-4*	0C to +70C	RoHS/Lead-Free: <a href="#">No Materials Analysis</a>
DS1035Z-20/T&R	SOIC;8 pin;150 Dwg: <a href="#">56-G2008-001C</a> (PDF) Use pkgcode/variation: S8-4*	0C to +70C	RoHS/Lead-Free: <a href="#">No Materials Analysis</a>
DS1035Z-25/T&R	SOIC;8 pin;150 Dwg: <a href="#">56-G2008-001C</a> (PDF) Use pkgcode/variation: S8-4*	0C to +70C	RoHS/Lead-Free: <a href="#">No Materials Analysis</a>



DS1035Z-6/T&R	SOIC;8 pin;150 Dwg: <a href="#">56-G2008-001C</a> (PDF) Use pkgcode/variation: S8-4*	0C to +70C	RoHS/Lead-Free: <a href="#">No Materials Analysis</a>
DS1035Z-30/T&R	SOIC;8 pin;150 Dwg: <a href="#">56-G2008-001C</a> (PDF) Use pkgcode/variation: S8-4*	0C to +70C	RoHS/Lead-Free: <a href="#">No Materials Analysis</a>
DS1035Z-15/T&R/	SOIC;8 pin;150 Dwg: <a href="#">56-G2008-001C</a> (PDF) Use pkgcode/variation: S8-4*	0C to +70C	RoHS/Lead-Free: <a href="#">No Materials Analysis</a>
DS1035Z-6/T&R/702	SOIC;8 pin;150 Dwg: <a href="#">56-G2008-001C</a> (PDF) Use pkgcode/variation: S8-4*	0C to +70C	RoHS/Lead-Free: <a href="#">No Materials Analysis</a>
DS1035Z-6/T&R/601	SOIC;8 pin;150 Dwg: <a href="#">56-G2008-001C</a> (PDF) Use pkgcode/variation: S8-4*	0C to +70C	RoHS/Lead-Free: <a href="#">No Materials Analysis</a>
DS1035Z-8	SOIC;8 pin;150 Dwg: <a href="#">56-G2008-001C</a> (PDF) Use pkgcode/variation: S8-4*	0C to +70C	RoHS/Lead-Free: <a href="#">No Materials Analysis</a>
DS1035Z-10	SOIC;8 pin;150 Dwg: <a href="#">56-G2008-001C</a> (PDF) Use pkgcode/variation: S8-4*	0C to +70C	RoHS/Lead-Free: <a href="#">No Materials Analysis</a>
DS1035Z-12	SOIC;8 pin;150 Dwg: <a href="#">56-G2008-001C</a> (PDF) Use pkgcode/variation: S8-4*	0C to +70C	RoHS/Lead-Free: <a href="#">No Materials Analysis</a>
DS1035Z-15	SOIC;8 pin;150 Dwg: <a href="#">56-G2008-001C</a> (PDF) Use pkgcode/variation: S8-4*	0C to +70C	RoHS/Lead-Free: <a href="#">No Materials Analysis</a>
DS1035Z-20	SOIC;8 pin;150 Dwg: <a href="#">56-G2008-001C</a> (PDF) Use pkgcode/variation: S8-4*	0C to +70C	RoHS/Lead-Free: <a href="#">No Materials Analysis</a>
DS1035Z-25	SOIC;8 pin;150 Dwg: <a href="#">56-G2008-001C</a> (PDF) Use pkgcode/variation: S8-4*	0C to +70C	RoHS/Lead-Free: <a href="#">No Materials Analysis</a>

DS1035Z-30

SOIC;8 pin;150

0C to +70C

RoHS/Lead-Free: [No  
Materials Analysis](#)

Dwg: [56-G2008-001C](#) (PDF)

Use pkgcode/variation: S8-4\*

DS1035Z-6

SOIC;8 pin;150

0C to +70C

RoHS/Lead-Free: [No  
Materials Analysis](#)

Dwg: [56-G2008-001C](#) (PDF)

Use pkgcode/variation: S8-4\*

[Didn't Find What You Need?](#)

[CONTACT US: SEND US AN EMAIL](#)

Copyright 2007 by Maxim Integrated Products, Dallas Semiconductor • [Legal Notices](#) • [Privacy Policy](#)