

## FEATURES

- 2.5V and 3.3V power supply options
- Guaranteed AC parameters over temperature:
  - $f_{MAX} > 3.0\text{GHz}$
  - $< 25\text{ps}$  within-device skew
  - $< 250\text{ps}$   $t_r / t_f$
  - $< 380\text{ps}$  propagation delay (differential)
- Wide temperature range:  $-40^\circ\text{C}$  to  $+85^\circ\text{C}$
- Differential design
- $V_{BB}$  output
- Fully compatible with industry standard 100K I/O levels
- Available in 32-pin TQFP Package



Precision Edge®

## DESCRIPTION

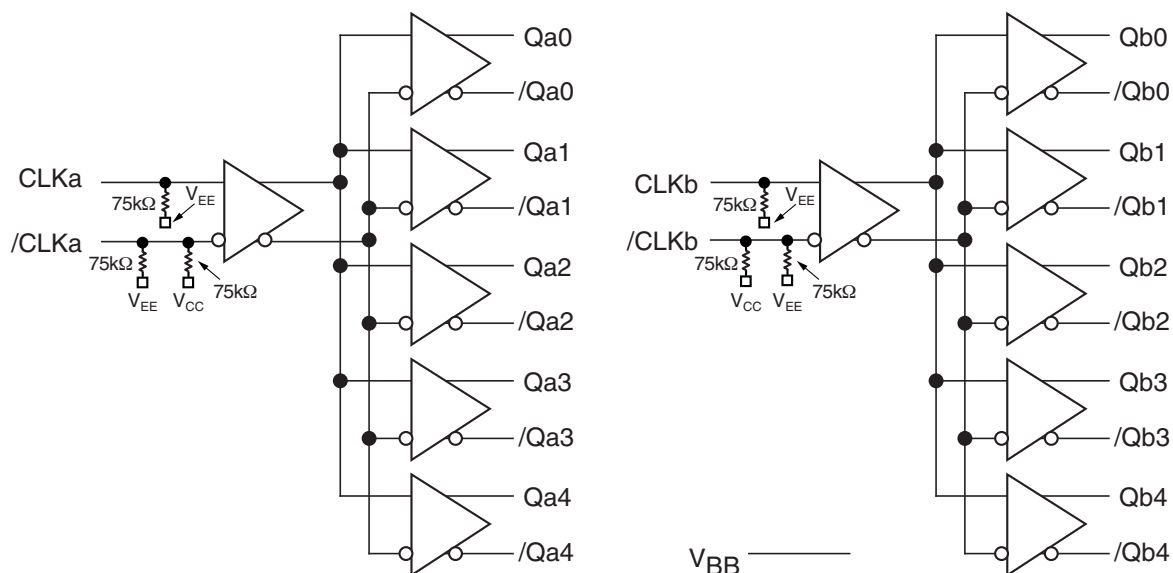
The SY100EP210U is a high-speed, precision low skew 1-to-5 dual differential clock driver. HSTL inputs can be used when the EP210U is operating in PECL mode.

The EP210U specifically guarantees critical AC parameters over temperature and voltage. Optimal design, layout, and processing minimize skew within device and from device-to-device.

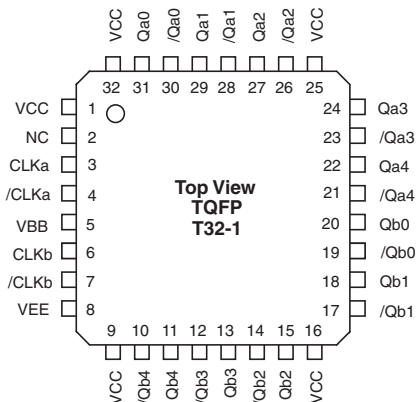
The SY100EP210U, as with most other ECL devices, can be operated from a positive  $V_{CC}$  supply in PECL mode. This allows the EP210U to be used for high performance clock distribution in +3.3V or +2.5V systems. Single-ended input operation is limited to a  $V_{CC} \geq 3.0\text{V}$  in PECL mode, or  $V_{EE} \leq -3.0\text{V}$  in ECL mode.

Designers can take advantage of the EP210U's performance to distribute low skew clocks across the backplane or to multiple points on a board.

## BLOCK DIAGRAM



**PACKAGE/ORDERING INFORMATION**



**32-Pin TQFP (T32-1)**

**Ordering Information<sup>(1)</sup>**

Part Number	Package Type	Operating Range	Package Marking	Lead Finish
SY100EP210UTC	T32-1	Commercial	XEP210U	Sn-Pb
SY100EP210UTC <sup>(2)</sup>	T32-1	Commercial	XEP210U	Sn-Pb
SY100EP210UTG <sup>(3)</sup>	T32-1	Industrial	XEP210U with Pb-Free bar-line indicator	Pb-Free NiPdAu
SY100EP210UTG <sup>(2, 3)</sup>	T32-1	Industrial	XEP210U with Pb-Free bar-line indicator	Pb-Free NiPdAu

**Notes:**

1. Contact factory for die availability. Dice are guaranteed at T<sub>A</sub> = 25°C, DC Electricals only.
2. Tape and Reel.
3. Pb-Free package is recommended for new designs.

**PIN NAMES**

Pin	Function
CLKa, /CLKa	LVPECL, LVECL, HSTL Clock Input: CLKa input includes a 75kΩ pull-down. Default is LOW if left floating. /CLKa includes both pull-up and pull-down resistors. Default condition is V <sub>CC</sub> /2.
CLKb, /CLKb	LVPECL, LVECL, HSTL Clock Input: CLKb input includes a 75kΩ pull-down. Default is LOW if left floating. /CLKb includes both pull-up and pull-down resistors. Default condition is V <sub>CC</sub> /2.
Qn0:4, /Qn0:4	LVPECL or LVECL Outputs: Terminate to V <sub>CC</sub> -2V. (see “Termination” section)
V <sub>BB</sub>	Reference Voltage for Single-Ended Inputs: It provides the switching reference for the input differential amplifier. When used, bypass with a 0.0μF capacitor to the most positive reference (usually V <sub>CC</sub> ) as shown in Figure 3.
V <sub>CC</sub>	Positive Power Supply: For LVPECL operation, connect V <sub>CC</sub> to 3.3V or 2.5V. For LVECL operation, connect to GND. Bypass with 0.1μF//0.01μF low ESR capacitors.
V <sub>EE</sub>	Negative Power Supply: For LVPECL operation, connect to GND. For LVECL operation, connect to -3.3V or -2.5V.

**ABSOLUTE MAXIMUM RATINGS<sup>(1)</sup>**

Symbol	Rating	Value	Unit
$V_{CC} - V_{EE}$	Power Supply Voltage	6.0	V
$V_{IN}$	Input Voltage ( $V_{CC} = 0V$ , $V_{IN}$ not more negative than $V_{EE}$ ) Input Voltage ( $V_{EE} = 0V$ , $V_{IN}$ not more positive than $V_{CC}$ )	-6.0 to 0 +6.0 to 0	V V
$I_{OUT}$	Output Current -Continuous -Surge	50 100	mA
$I_{BB}$	$V_{BB}$ Sink/Source Current <sup>(2)</sup>	±0.5 to 0	mA
$T_{LEAD}$	Lead Temperature (soldering, 20sec.)	+260	°C
$T_A$	Operating Temperature Range	-40 to +85	°C
$T_{store}$	Storage Temperature Range	-65 to +150	°C
$\theta_{JA}$	Package Thermal Resistance (Junction-to-Ambient) -Still-Air -500lfpm	50 42	°C/W
$\theta_{JC}$	Package Thermal Resistance (Junction-to-Case)	20	°C/W

**Note 1.** Permanent device damage may occur if absolute maximum ratings are exceeded. This is a stress rating only and functional operation is not implied at conditions other than those detailed in the operational sections of this data sheet. Exposure to absolute maximum rating conditions for extended periods may affect device reliability.

**Note 2.** Use for inputs of same package only.

**DC ELECTRICAL CHARACTERISTICS<sup>(1)</sup>**

Symbol	Parameter	$T_A = -40^\circ C$			$T_A = +25^\circ C$			$T_A = +85^\circ C$			Unit	Condition
		Min.	Typ.	Max.	Min.	Typ.	Max.	Min.	Typ.	Max.		
$V_{CC}$	Power Supply Voltage (LVPECL) (LVECL)	2.37 -2.37	— —	3.8 -3.8	2.37 -2.37	— —	3.8 -3.8	2.37 -2.37	— —	3.8 -3.8	V	
$I_{EE}$	Internal Supply Current	—	70	90	—	70	90	—	70	90	mA	
$I_{IH}$	Input HIGH Current	—	—	150	—	—	150	—	—	150	µA	$V_{IN} = V_{IH}$
$I_{IL}$	Input LOW Current CLKa, CLKb /CLKa, /CLKb	0.5 -150	— —	— —	0.5 -150	— —	— —	0.5 -150	— —	— —	µA µA	$V_{IN} = 0V$ $V_{IN} = 0V$
$C_{IN}$	Input Capacitance	—	—	—	—	2	—	—	—	—	pF	

**Note 1.** 100KEP circuits are designed to meet the DC specifications shown in the above table after thermal equilibrium has been established. The circuit is in a test socket or mounted on a printed circuit board and traverse airflow greater than 500lfpm is maintained.

**3.3V LVPECL DC ELECTRICAL CHARACTERISTICS<sup>(1)</sup>**

$V_{CC} = 3.3V \pm 10\%$

Symbol	Parameter	$T_A = -40^\circ\text{C}$			$T_A = +25^\circ\text{C}$			$T_A = +85^\circ\text{C}$			Unit	Condition
		Min.	Typ.	Max.	Min.	Typ.	Max.	Min.	Typ.	Max.		
$V_{IH}$	Input HIGH Voltage	2135	—	2420	2135	—	2420	2135	—	2420	mV	
$V_{IL}$	Input LOW Voltage	1490	—	1675	1490	—	1675	1490	—	1675	mV	
$V_{OL}$	Output LOW Voltage	1355	1480	1605	1355	1480	1605	1355	1480	1605	mV	$50\Omega$ to $V_{CC} - 2V$
$V_{OH}$	Output HIGH Voltage	2155	2280	2405	2155	2280	2405	2155	2280	2405	mV	$50\Omega$ to $V_{CC} - 2V$
$V_{BB}$	Output Reference Voltage <sup>(2)</sup>	1775	1875	1975	1775	1875	1975	1775	1875	1975	mV	
$V_{IHCMR}$	Input HIGH Voltage Common Mode Range <sup>(3)</sup>	1.2	—	$V_{CC}$	1.2	—	$V_{CC}$	1.2	—	$V_{CC}$	mV	

**Note 1.** 100KEP circuits are designed to meet the DC specifications shown in the above table after thermal equilibrium has been established. The circuit is in a test socket or mounted on a printed circuit board and traverse airflow greater than 500lfpm is maintained. Input and output varies 1:1 with  $V_{CC}$ .

**Note 2.** Single-ended input operation is limited to  $V_{CC} \geq 3.0V$  in LVPECL mode.  $V_{BB}$  reference varies 1:1 with  $V_{CC}$ .

**Note 3.** The  $V_{IHCMR}$  (min) varies with  $V_{EE}$ .  $V_{IHCMR}$  (max) varies 1:1 with  $V_{CC}$ . The  $V_{IHCMR}$  range is referenced to the most positive side of the differential input signal.

**2.5V LVPECL DC ELECTRICAL CHARACTERISTICS<sup>(1)</sup>**

$V_{CC} = 2.5V \pm 10\%$ ,  $V_{EE} = 0V$

Symbol	Parameter	$T_A = -40^\circ\text{C}$			$T_A = +25^\circ\text{C}$			$T_A = +85^\circ\text{C}$			Unit	Condition
		Min.	Typ.	Max.	Min.	Typ.	Max.	Min.	Typ.	Max.		
$V_{OL}$	Output LOW Voltage	555	680	895	555	680	895	555	680	895	mV	$50\Omega$ to $V_{CC} - 2V$
$V_{OH}$	Output HIGH Voltage	1355	1480	1605	1355	1480	1605	1355	1480	1605	mV	$50\Omega$ to $V_{CC} - 2V$
$V_{IHCMR}$	Input HIGH Voltage <sup>(2)</sup> Common Mode Range	1.2	—	$V_{CC}$	1.2	—	$V_{CC}$	1.2	—	$V_{CC}$	V	

**Note 1.** 100KEP circuits are designed to meet the DC specifications shown in the above table after thermal equilibrium has been established. The circuit is in a test socket or mounted on a printed circuit board and traverse airflow greater than 500lfpm is maintained. Input and output varies 1:1 with  $V_{CC}$ .

**Note 2.** The  $V_{IHCMR}$  (min) varies with  $V_{EE}$ .  $V_{IHCMR}$  (max) varies 1:1 with  $V_{CC}$ . The  $V_{IHCMR}$  range is referenced to the most positive side of the differential input signal.

**LVECL DC ELECTRICAL CHARACTERISTICS<sup>(1)</sup>** $V_{EE} = -2.375V$  to  $-3.8V$ ;  $V_{CC} = 0V$ 

Symbol	Parameter	$T_A = -40^\circ C$			$T_A = +25^\circ C$			$T_A = +85^\circ C$			Unit	Condition
		Min.	Typ.	Max.	Min.	Typ.	Max.	Min.	Typ.	Max.		
$V_{IL}$	Input LOW Voltage (Single-Ended)	-1810	—	-1625	-1810	—	-1625	-1810	—	-1625	mV	
$V_{IH}$	Input HIGH Voltage (Single-Ended)	-1165	—	-0880	-1165	—	-0880	-1165	—	-0880	mV	
$V_{OL}$	Output LOW Voltage	-1945	-1820	-1695	-1945	-1820	-1695	-1945	-1820	-1695	mV	$50\Omega$ to $V_{CC}-2V$
$V_{OH}$	Output HIGH Voltage	-1145	-1020	-0895	-1145	-1020	-0895	-1145	-1020	-0895	mV	$50\Omega$ to $V_{CC}-2V$
$V_{BB}$	Output Reference Voltage <sup>(2)</sup>	-1525	-1425	-1325	-1525	-1425	-1325	-1525	-1425	-1325	mV	
$V_{IHCMR}$	Input HIGH Voltage Common Mode Range <sup>(3)</sup>	$V_{EE} + 1.2$		0.0	$V_{EE} + 1.2$		0.0	$V_{EE} + 1.2$		0.0	V	

**Note 1.** 100KEP circuits are designed to meet the DC specifications shown in the above table after thermal equilibrium has been established. The circuit is in a test socket or mounted on a printed circuit board and traverse airflow greater than 500lfpm is maintained.

**Note 2.** Single-ended input operation is limited to  $V_{EE} \leq -3.0V$  in ECL/LVECL mode.  $V_{BB}$  reference varies 1:1 with  $V_{CC}$ .

**Note 3.** The  $V_{IHCMR}$  (min) varies with  $V_{EE}$ . The  $V_{IHCMR}$  range is referenced to the most positive side of the differential input signal.

**HSTL DC ELECTRICAL CHARACTERISTICS** $V_{CC} = 2.375V$  to  $3.8V$ ;  $V_{EE} = 0V$ 

Symbol	Parameter	$T_A = -40^\circ C$			$T_A = +25^\circ C$			$T_A = +85^\circ C$			Unit	Condition
		Min.	Typ.	Max.	Min.	Typ.	Max.	Min.	Typ.	Max.		
$V_{IH}$	Input HIGH Voltage	1200	—	—	1200	—	—	1200	—	—	mV	
$V_{IL}$	Input LOW Voltage	—	—	400	—	—	400	—	—	400	mV	
$V_X$	Input Crossover Voltage	680	—	900	680	—	900	680	—	900	mV	

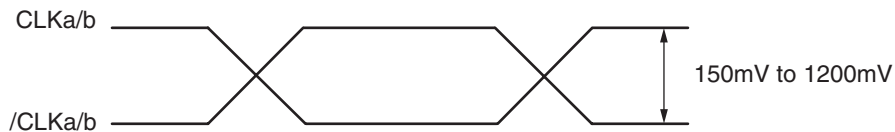
**AC ELECTRICAL CHARACTERISTICS**

(LVPECL)  $V_{CC} = 2.375$  to  $3.8V$ ,  $V_{EE} = 0V$ ; (LVECL)  $V_{EE} = -2.375V$  to  $-3.8V$ ,  $V_{CC} = 0V$

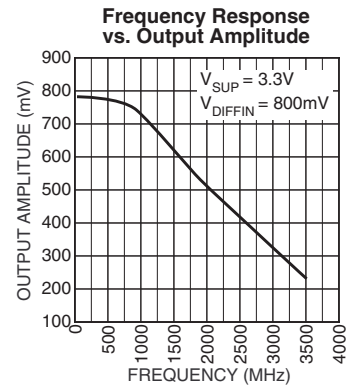
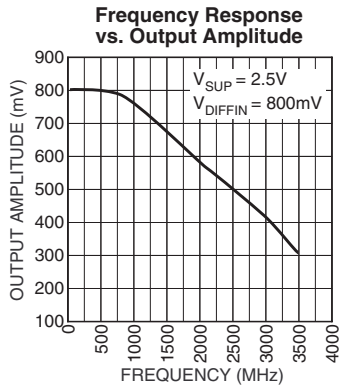
Symbol	Parameter	$T_A = -40^\circ C$			$T_A = +25^\circ C$			$T_A = +85^\circ C$			Unit	Condition
		Min.	Typ.	Max.	Min.	Typ.	Max.	Min.	Typ.	Max.		
$f_{MAX}$	Maximum Frequency <sup>(1)</sup> HSTL/LVPECL	3.0	—	—	3.0	—	—	3.0	—	—	GHz	
$t_{PD}$	Propagation Delay <sup>(2)</sup>	220	300	380	220	300	380	220	300	380	ps	
$t_{SKEW}^{(3)}$	Within-Device Skew	—	20	25	—	20	25	—	20	25	ps	
	Part-to-Part Skew <sup>(4)</sup>	—	85	160	—	85	160	—	85	160	ps	
$t_{JITTER}$	Cycle-to-Cycle Jitter (rms)	—	0.2	< 1	—	0.2	< 1	—	0.2	< 1	ps <sub>RMS</sub>	
$V_{PP}$	Minimum Input Swing <sup>(5)</sup>	150	800	1200	150	800	1200	150	800	1200	mV	
$t_r, t_f$	Output Rise/Fall Times (20% to 80%)	100	150	250	100	150	250	100	150	250	ps	

- Note 1.**  $f_{MAX}$  guaranteed for functionality only (toggle frequency).
- Note 2.** CLK 0 to Bank A and CLK 1 to Bank B; Differential. Maximum propagation delay is worst-case, over temperature and voltage.
- Note 3.** Skew is measured between outputs under identical transitions.
- Note 4.** Measured for same transitions.
- Note 5.** See "Timing Waveform."

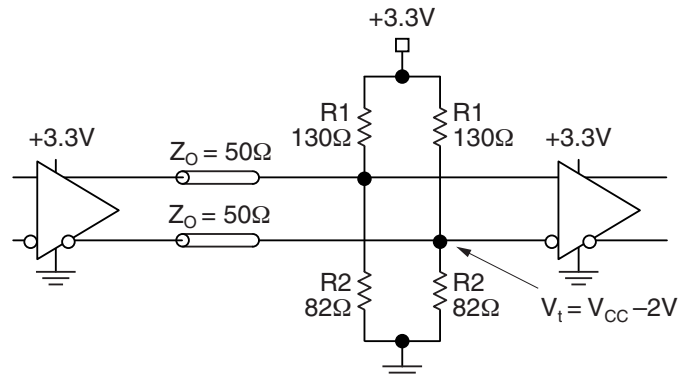
**TIMING WAVEFORM**



## TYPICAL CHARACTERISTICS

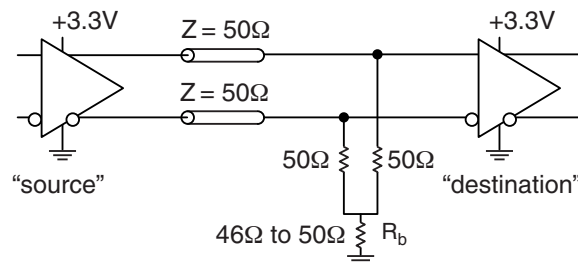


**TERMINATION RECOMMENDATIONS**



**Figure 1. Parallel Termination–Thevenin Equivalent**

**Note 1.** For +2.5V systems: R1 = 250Ω, R2 = 62.5Ω.

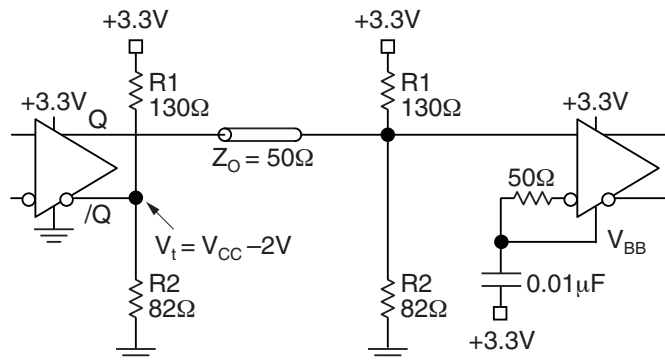


**Figure 2. Three-Resistor “Y-Termination”**

**Note 1.** Power-saving alternative, Thevenin termination.

**Note 2.** Place termination resistors as close to destination inputs as possible.

**Note 3.** R<sub>b</sub> resistor sets the DC bias voltage, equal to V<sub>t</sub>.



**Figure 3. Terminating Unused I/O**

**Note 1.** Unused output (/Q) must be terminated to balance the output.

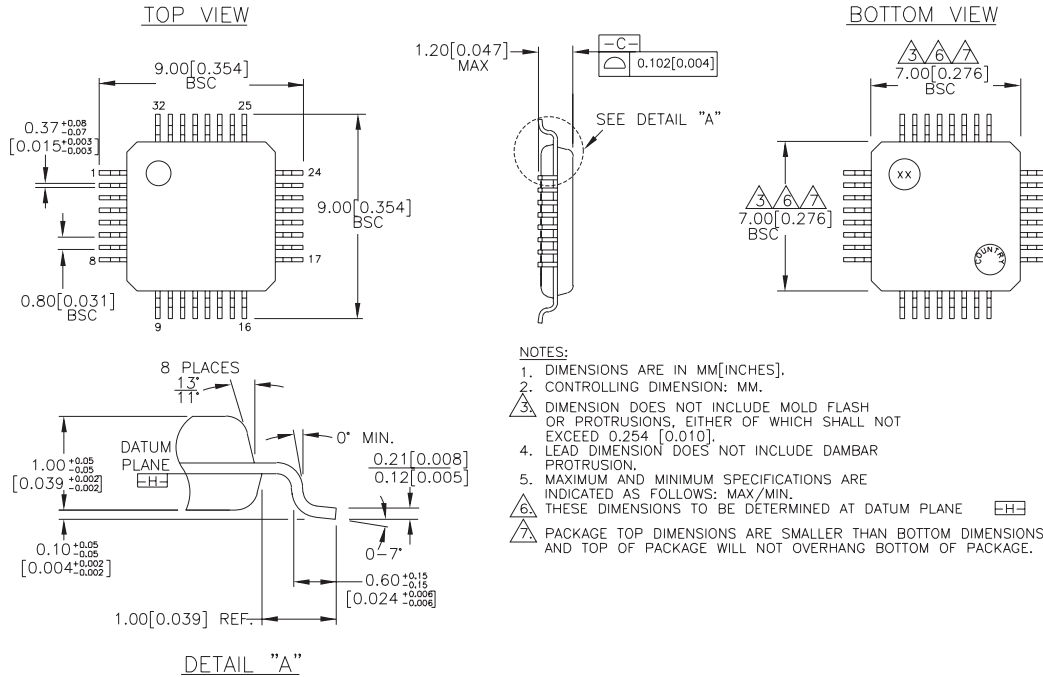
**Note 2.** Micrel's differential I/O logic devices include a V<sub>BB</sub> reference pin .

**Note 3.** Connect unused input through 50Ω to V<sub>BB</sub>. Bypass with a 0.01μF capacitor to GND.

**Note 4.** For +2.5V systems: R1 = 250Ω, R2 = 62.5Ω.



**32-PIN THIN QUAD FLATPACK (T32-1)**



Rev. 01

**MICREL, INC. 2180 FORTUNE DRIVE SAN JOSE, CA 95131 USA**

TEL + 1 (408) 944-0800 FAX + 1 (408) 474-1000 WEB <http://www.micrel.com>

The information furnished by Micrel in this datasheet is believed to be accurate and reliable. However, no responsibility is assumed by Micrel for its use. Micrel reserves the right to change circuitry and specifications at any time without notification to the customer.

Micrel Products are not designed or authorized for use as components in life support appliances, devices or systems where malfunction of a product can reasonably be expected to result in personal injury. Life support devices or systems are devices or systems that (a) are intended for surgical implant into the body or (b) support or sustain life, and whose failure to perform can be reasonably expected to result in a significant injury to the user. A Purchaser's use or sale of Micrel Products for use in life support appliances, devices or systems is at Purchaser's own risk and Purchaser agrees to fully indemnify Micrel for any damages resulting from such use or sale.

© 2005 Micrel, Incorporated.