

Panel feed-through - SACC-5P-DSI-M12MS/FS-M16 - 1551671

Please be informed that the data shown in this PDF Document is generated from our Online Catalog. Please find the complete data in the user's documentation. Our General Terms of Use for Downloads are valid (<http://download.phoenixcontact.com>)



Sensor/actuator control cabinet feed-through, male to female, 5-pos., M12, shielded, A-coded, bipolar/screw mounting with M16 thread



Key commercial data

Packing unit	0
Minimum order quantity	1
Catalog page	Page 63 (PC-2011)
GTIN	 4 046356 156226
Custom tariff number	85366990
Country of origin	CZECH REPUBLIC

Technical data

General data

Rated current at 40°C	4 A
Rated voltage	24 V
Number of positions	5
Volume resistance	≤ 3 mΩ
Insulation resistance	≥ 100 MΩ
Ambient temperature (operation)	-25 °C ... 85 °C (Male connector / female connector)

General characteristics

Standards/regulations	M12 plug-in connector IEC 61076-2-101
Coding	A - standard
Surge voltage category	II
Pollution degree	3
Degree of protection	IP67
Contact material	CuZn
Contact surface material	Au
Contact carrier material	PA 66
Material, knurls	Nickel-plated brass
Sealing material	NBR

Panel feed-through - SACC-5P-DSI-M12MS/FS-M16 - 1551671

Technical data

General characteristics

Mounting type	Bipolar mounting M16 x 1.5
Status display	No

Classifications

eclass

eCl@ss 4.0	27250313
eCl@ss 4.1	27250313
eCl@ss 5.0	27143423
eCl@ss 5.1	27143423
eCl@ss 6.0	27143423
eCl@ss 7.0	27449001

etim

ETIM 3.0	EC002061
ETIM 4.0	EC002061

unspsc

UNSPSC 6.01	31251501
UNSPSC 7.0901	31251501
UNSPSC 11	31251501
UNSPSC 12.01	31251501
UNSPSC 13.2	31251501

Approvals

Approvals

Approvals

GOST

Ex Approvals

Approvals submitted

Approval details

GOST 
--

Panel feed-through - SACC-5P-DSI-M12MS/FS-M16 - 1551671

Accessories

Accessories

Protection and sealing elements

Screw plug - PROT-M12 - 1680539



An M12 screw plug for the unoccupied M12 sockets of the sensor/actuator cable, boxes and flush-type connectors

Sealing cap - PROT-M12 FS - 1560251



M12 sealing cap for unoccupied M12 connectors of the sensor/actuator cable, flush-type connectors and I/O devices in the field

Screw plug - PROT-M12 SH - 1503302



An M12 screw plug for the unoccupied M12 sockets of the shielded sensor/actuator cable, boxes and flush-type connectors

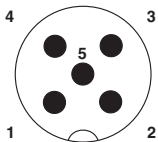
Sealing cap - PROT-M12 FS-M - 1430488



M12 metal sealing cap for unoccupied M12 connectors of the sensor/actuator cable, flush-type connectors and I/O devices in the field

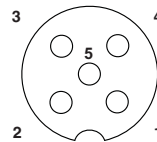
Drawings

Schematic diagram



Pin assignment M12 male connector, 5-pos., A-coded, male side

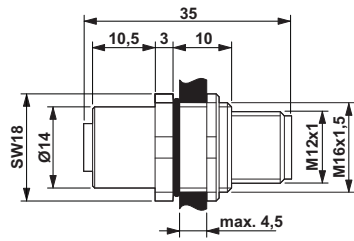
Schematic diagram



Pin assignment M12 socket, 5-pos., A-coded, socket side view

Panel feed-through - SACC-5P-DSI-M12MS/FS-M16 - 1551671

Dimensioned drawing



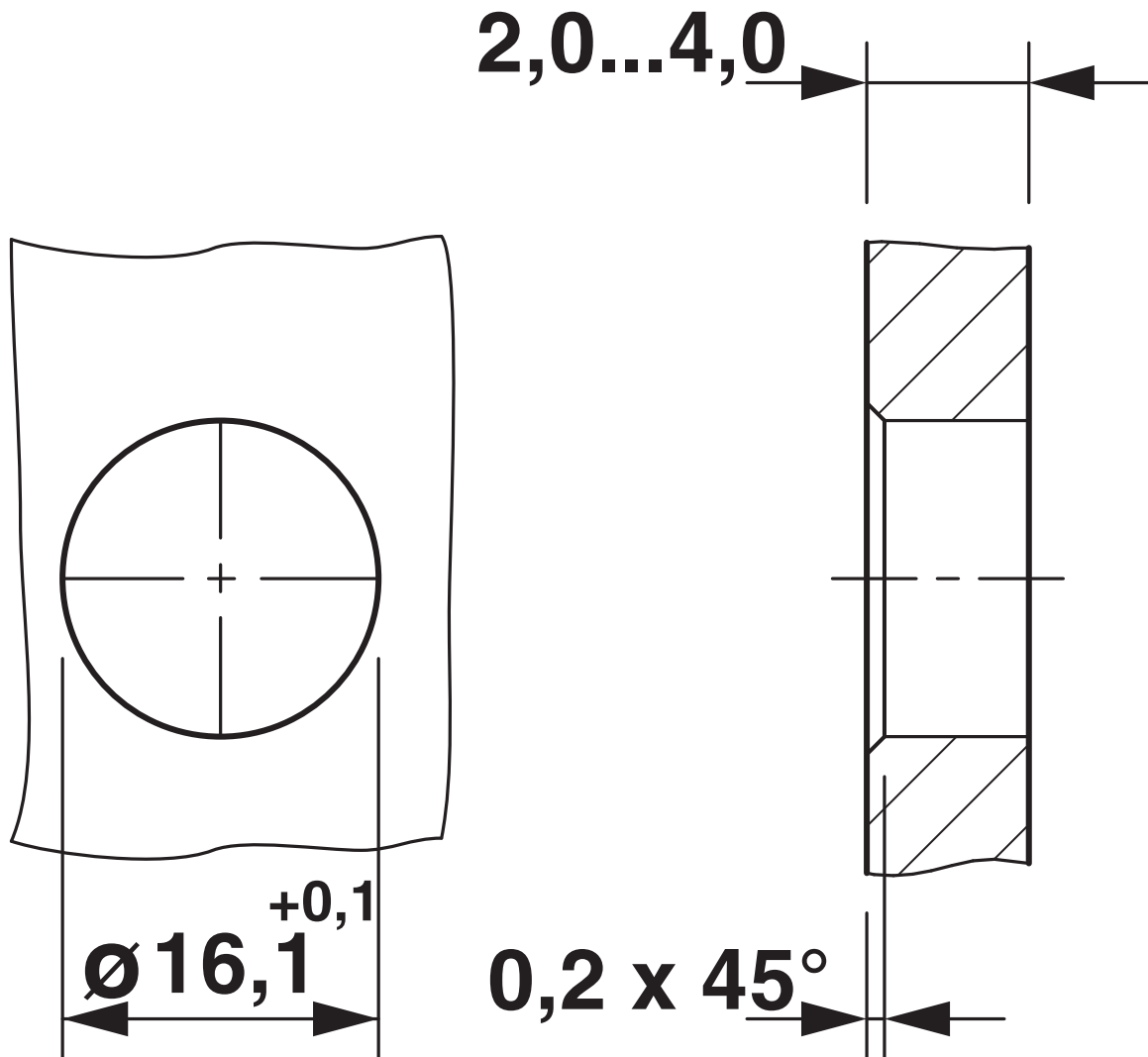
Circuit diagram



Contact assignment of the M12 plug and the M12 socket

Panel feed-through - SACC-5P-DSI-M12MS/FS-M16 - 1551671

Dimensioned drawing





© Phoenix Contact 2012 - all rights reserved
<http://www.phoenixcontact.com>