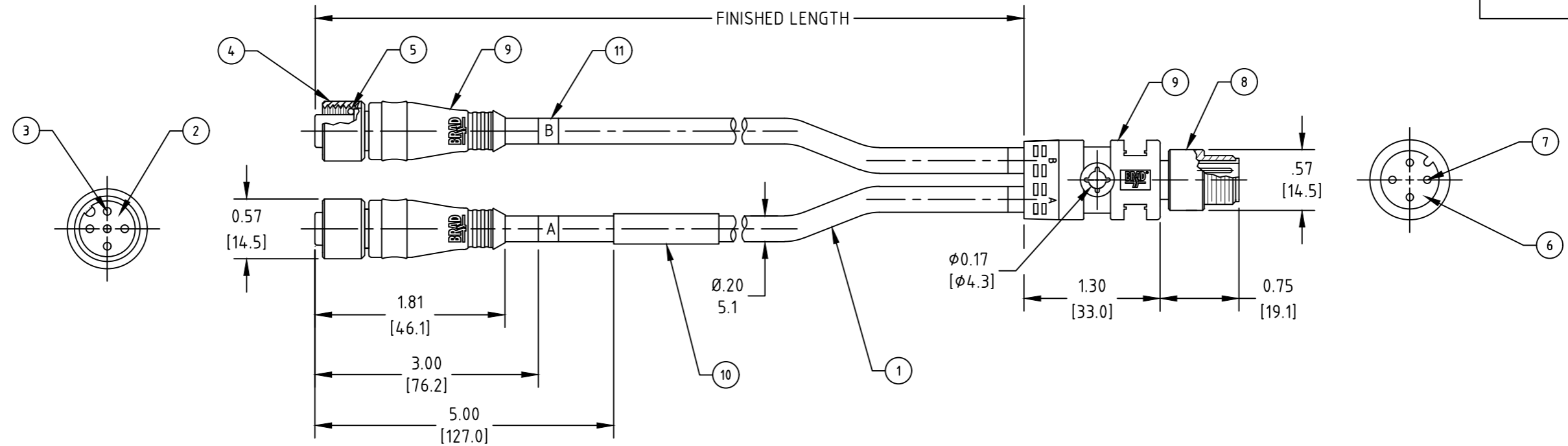
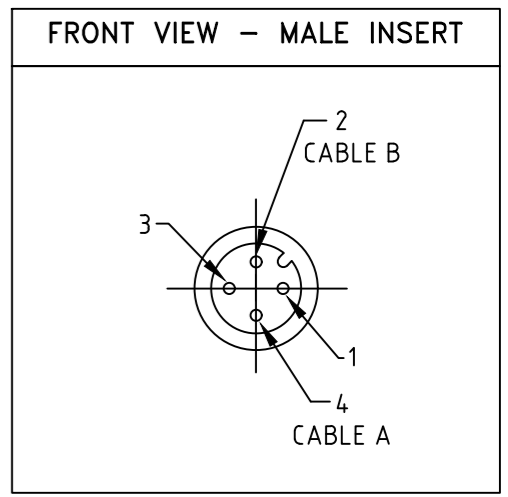


MATERIAL NUMBER	ENGINEERING NUMBER	FINISHED LENGTH
1200680195	884A30K05M003	1.0 FT [0.3M]
(A) 1200680196	884A30K05M006	2.0 FT [0.6M]
(A) 1200680197	884A30K05M010	3 FT 3 IN [1.0M]
(A) 1200680198	884A30K05M050	16FT 5 IN [5.0M]

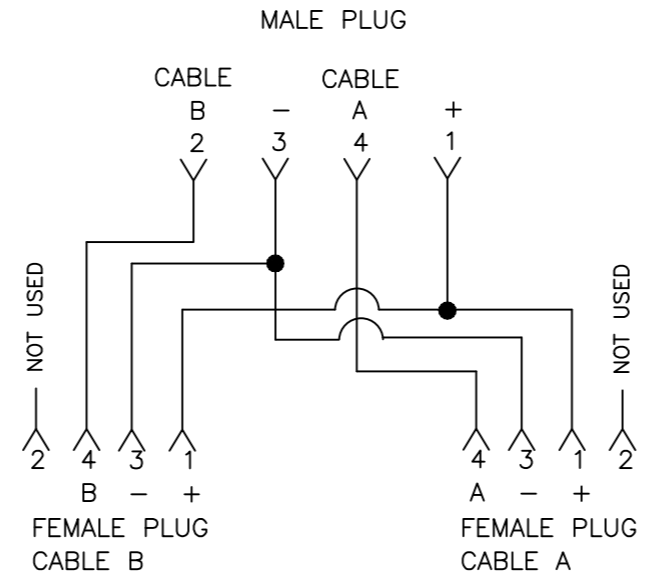
(A) **CABLE LENGTH TOLERANCES**

>.3M [1FT]:	+19mm-0 [+ .75in-0]
.3 - .9M [1 - 3FT]:	+44.5mm-0 [+1.75in-0]
.9 - 1.8M [3 - 6FT]:	+55.6mm-0 [+2.19in-0]
1.8 - 3.7M [6 - 12FT]:	+88.9mm-0 [+3.50in-0]
3.7 - 7.3M [12 - 24FT]:	+165.1mm-0 [+6.50in-0]
7.3-14.6M [24 - 48FT]:	+317.5mm-0 [+12.50in-0]
14.6 - 30.5M [48-100FT]:	+622.3mm-0 [+24.50in-0]
OVER 30M [100FT]	+2% OF FINISHED LENGTH



- (A) **NOTES:**
1. MATERIAL: AS NOTED
  2. FINISH: AS NOTED
  3. ELECTRICAL:  
VOLTAGE: 250V  
CURRENT: 4A
  4. TEMP RATING: -25°C TO +105°C
  5. PROTECTION: IP67 (WHEN MATED)
  6. COUPLING THREAD: M12 X 1.0
  7. UL LISTED FILE: E152210  
CSA CERTIFIED FILE: LR6837
  8. ALL DIMS ARE FOR REFERENCE UNLESS TOLERANCED OR NOTED OTHERWISE

ITEM	DESCRIPTION	MATERIAL	FINISH
11	ID LABEL	VINYL	WHITE
10	WRAP LABEL	VINYL	BLACK/YELLOW
9	OVERMOLDS	TPC (A)	YELLOW
8	COUPLING, MALE	BRASS	NI/TFE PLATED
7	CONTACT PIN	COPPER ALLOY	GOLD PLATED
6	MALE INSERT 4P	PUR	BLACK
5	O-RING	VITON	RED
4	COUPLING, FEMALE	BRASS	NI/TFE PLATED
3	CONTACT SOCKET	COPPER ALLOY	GOLD PLATED
2	FEMALE INSERT 3P	PUR	BLACK
1	CABLE, 22/3, PLTC	TPE JACKET	YELLOW



(A) **PART NUMBER LEGEND**

884A30K05M010

POLE COUNT →

FINISHED LENGTH:  
M005= 0.5 METER  
M010= 1.0 METER  
M100= 10.0 METERS  
C300= 30 CENTIMETERS

FUNCTIONAL SYMBOLS		THIS DRAWING CONTAINS INFORMATION THAT IS PROPRIETARY TO MOLEX ELECTRONIC TECHNOLOGIES, LLC AND SHOULD NOT BE USED WITHOUT WRITTEN PERMISSION		CURRENT REV DESC: UPDATE DOC PER LATEST STD. REV'D NOTES, VOLTAGE WAS 300 V, LABEL WAS MYLAR. ADD P/NS TO TABLE, ADD LENGTH TOLS, P/N LEGEND, ADD CABLE FLEX INFO, O-MOLD WAS TPE	
DIMENSION UNITS		SCALE		EC NO: 643415	
INCH/MM		1:1		DRWN: RSTONE 2020/08/11	
GENERAL TOLERANCES (UNLESS SPECIFIED)				CHK'D: MZIELINSKI 2020/08/14	
4 PLACES ±----		mm		APPR: BWOODMAN 2020/08/17	
3 PLACES ±----		INCH		INITIAL REVISION:	
2 PLACES ±----				DRWN: BBRAUCH 2010/02/15	
1 PLACE ±----				APPR: NSTAUDIG 2010/02/18	
0 PLACES ±----				ANGULAR TOL ± ---- °	
DRAFT WHERE APPLICABLE MUST REMAIN WITHIN DIMENSIONS		THIRD ANGLE PROJECTION		DRAWING	
		B-SIZE		SERIES	
		120068		MATERIAL NUMBER	
				CUSTOMER	
				GENERAL MARKET	
				SHEET NUMBER	
				1 OF 1	