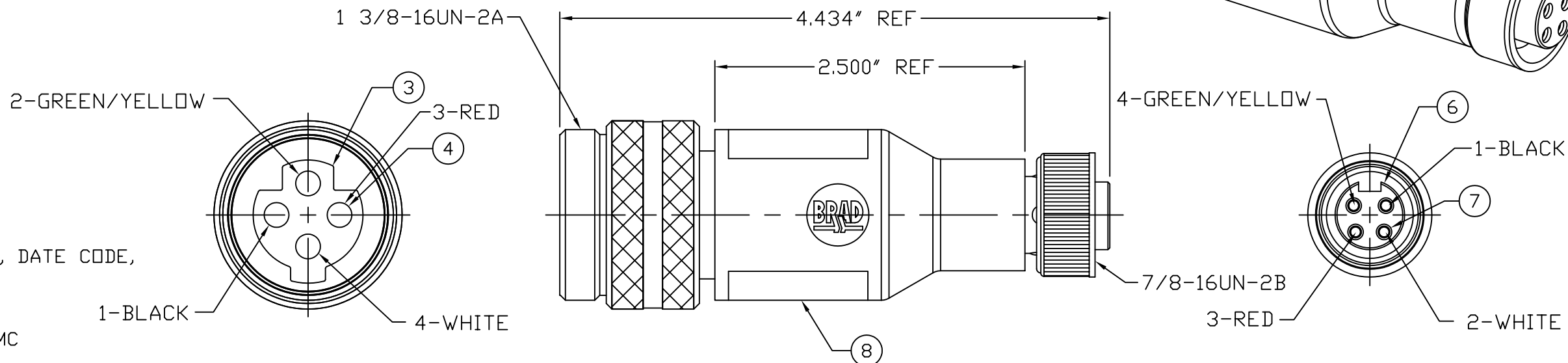
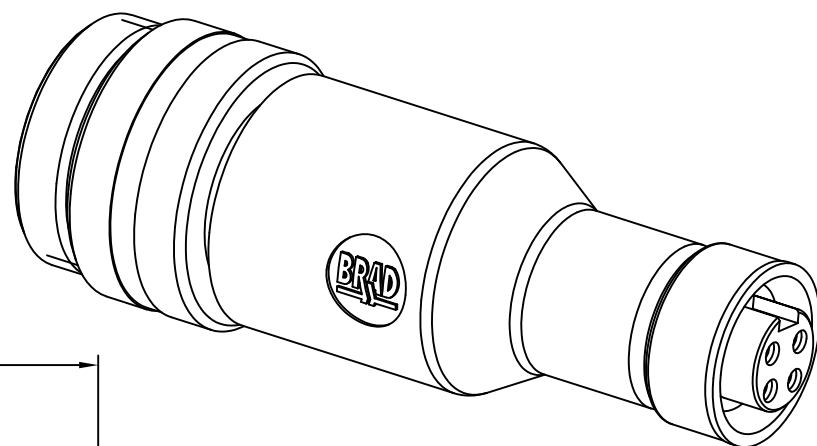


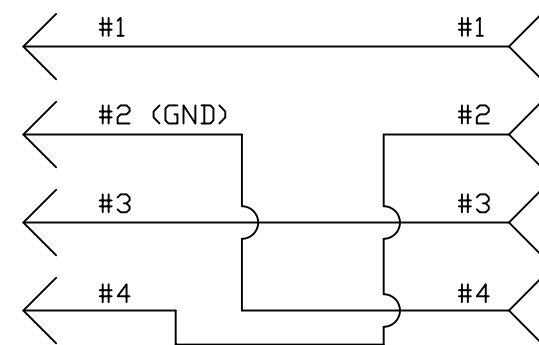
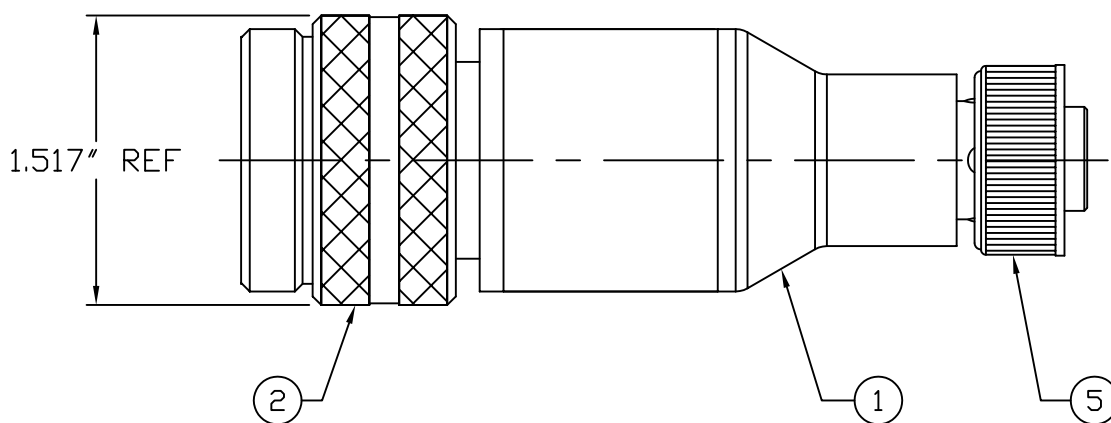
PART NUMBER	ENGINEERING NUMBER
1300680022	1C4130-001



NOTE:

- 1) LABEL IS MARKED WITH P/N, DATE CODE, VOLTAGE & AMPERAGE
- 2) ELECTRICAL DATA:
REDUCING ADAPTER QC TO MC
POLES: 4
MAX. VOLTAGE: 600V AC/DC
MAX.CURRENT: 15A
PROTECTION: IP67
TEMPERATURE RANGE: -20°C TO 90°C
- 3) PACKAGING:
ASSEMBLIES ARE BAGGED SEPERATELY IN POLY BAGS WITH BAR CODE LABEL ATTACHED TO THE OUTSIDE OF THE BAG.
- 4) ASSEMBLY IS RoHS COMPLIANT
- 5) CERTIFICATION:
UL LISTED/CSA CERTIFIED , FILE E258922

QC MALE MC FEMALE



WIRE DIAGRAM

ITEM	QTY	DESCRIPTION	MATERIAL	FINISH
8	1	LABEL	PLASTIC FILM	BLACK/YELLOW
7	4	MC SOCKET CONTACT	COPPER ALLOY	GOLD PLATED
6	1	MC INSERT	PVC	BLACK
5	1	MC COUPLING NUT	ZINC ALLOY	BLACK E-COAT
4	4	QC PIN CONTACT	COPPER ALLOY	GOLD PLATED
3	1	QC INSERT	PVC	BLACK
2	1	QC COUPLING NUT	ALUMINUM	BLACK ANODIZE
1	1	OVERMOLD	PVC	GRAY

RELEASED EC NO: WNA2010-0424 DRWN: KJOZWIK 2010/01/12 CHKD: BWOODMAN APPR: JFMURPHY 2010/01/15	DESCRIPTION REV	QUALITY SYMBOLS ▽=0 ▽=0	GENERAL TOLERANCES (UNLESS SPECIFIED) <table border="1"> <thead> <tr> <th></th> <th>mm</th> <th>INCH</th> </tr> </thead> <tbody> <tr> <td>4 PLACES</td> <td>±---</td> <td>±---</td> </tr> <tr> <td>3 PLACES</td> <td>±---</td> <td>±.005</td> </tr> <tr> <td>2 PLACES</td> <td>±0.13</td> <td>±.010</td> </tr> <tr> <td>1 PLACE</td> <td>±0.25</td> <td>±.020</td> </tr> </tbody> </table>		mm	INCH	4 PLACES	±---	±---	3 PLACES	±---	±.005	2 PLACES	±0.13	±.010	1 PLACE	±0.25	±.020	DIMENSION STYLE IN/MM	SCALE 1:1	DESIGN UNITS INCH	THIRD ANGLE PROJECTION
			mm	INCH																		
		4 PLACES	±---	±---																		
		3 PLACES	±---	±.005																		
2 PLACES	±0.13	±.010																				
1 PLACE	±0.25	±.020																				
DRAWN BY DATE KJOZWIK 2010/01/12			TITLE BRAD POWER PASS-THRU 4 POLE QC DC MALE/MC FEMALE		MOLEX INCORPORATED		SHEET NO. 1 OF 1															
CHECKED BY DATE BWOODMAN 2010/01/11			APPROVED BY DATE JFMURPHY 2010/01/15		DOCUMENT NO. SD-130068-004																	
MATERIAL NO. SEE TABLE			THIS DRAWING CONTAINS INFORMATION THAT IS PROPRIETARY TO MOLEX INCORPORATED AND SHOULD NOT BE USED WITHOUT WRITTEN PERMISSION																			