



2.593 GHz Monoblock Ceramic BPF

ANATECH ELECTRONICS INC
RF & Microwave Filters & Products

Part Number: AM2593B1092



Electrical specifications

- Center Frequency:** 2593 MHz
- Bandwidth:** 194 MHz
- Input / Output Impedance:** 50 Ohms
- Passband:** 2496–2690 MHz
- Passband Insertion Loss:**
- Passband Ripple:** 2496–2690 MHz 1.00 dB
- Passband Return Loss:** 2496–2690 MHz -10.00 dB
- Rejection:** 0.1 – 2300 MHz -40.00 dB
- Rejection 2:** 2900 – 4000 MHz -40.00 dB
- Power Handling:** 2 Watt max

Mechanical

- Mounting Method:** SMT
- Dimensions:** 10.20 x 7.60 x 4 mm

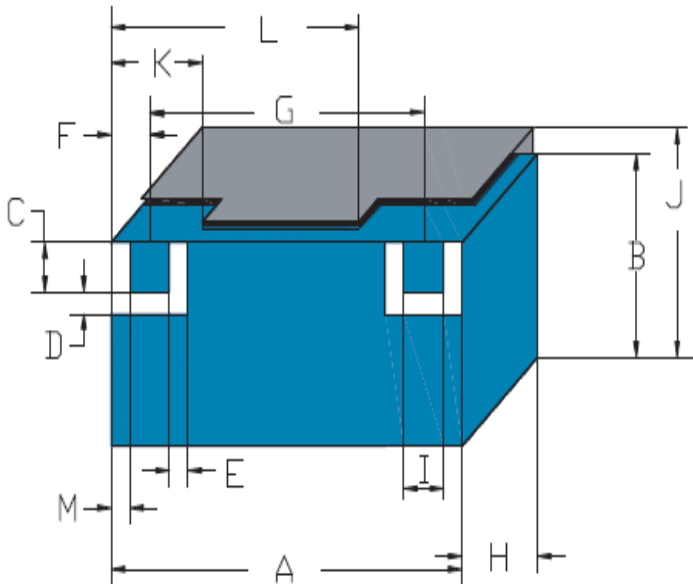
Environmental

- Operating Temperature:** -40°C to +85°C
- Storage Temperature:** -50°C to +90°C



This product is RoHs compliant.

Mechanical Drawing



Dim	Nominal (mm)	Tolerance (mm) +/- or max
A	10.20	Max
B	6.60	Max
C	1.60	0.13
D	0.80	0.13
E	0.80	0.13
F	1.20	0.13
G	7.80	0.13
H	4.00	Max
I	1.40	0.13
J	7.60	Max
K	2.70	0.13
L	7.50	0.13
M	0.50	0.13



ANATECH ELECTRONICS INC
RF & Microwave Filters & Products

2.593 GHz Monoblock Ceramic BPF

Part Number: AM2593B1092



Response Plot:

